







MASTER[®]
CLIMATE SOLUTIONS
MCS



USER AND MAINTENANCE BOOK	en
LIBRETTO USO E MANUTENZIONE	it
BEDIENUNGS- UND WARTUNGSANLEITUNG	de
MANUAL DE INSTRUCCIONES PARA EL USO Y MANTENIMIENTO	es
MANUEL D'UTILISATION ET DE MAINTENANCE	fr
HANDLEIDING VOOR GEBRUIK EN ONDERHOUD	nl
MANUAL DE USO E MANUTENÇÃO	pt
VEJLEDNING OM BRUG OG VEDLIGEHODELSE	da
KÄYTTÖ- JA HUOLTO-OHJE	fi
HEFTE FOR BRUK OG VEDLIKEHOLD	no
ANVÄNDAR- OCH UNDERHÅLLSHANDBOK	sv
INSTRUKCJA OBSŁUGI I KONSERWACJI	pl
РУКОВОДСТВО ПО ЭКСПЛУАТАЦИИ И ТЕХНИЧЕСКОМУ ОБСЛУЖИВАНИЮ	ru
PŘÍRUČKA PRO POUŽITÍ A ÚDRŽBU	cs
HASZNÁLATI ÉS KARBANTARTÁSI KÉZIKÖNYV	hu
PRIROČNIK Z NAVODILI ZA UPORABO IN VZDRŽEVANJE	sl
KULLANIM VE BAKIM KİTAPÇIĞI	tr
KNJIŽICA O UPORABI I ODRŽAVANJU	hr
NAUDOJIMO IR PRIEŽIŪROS KNYGELĖ	lt
LIETOŠANAS UN TEHNISKĀS APKOPEŠ GRĀMATIŅA	lv
KASUTUS- JA HOOLDUSJUHEND	et
LIVRET DE UTILIZARE ŞI ÎNTREȚINERE	ro
PŘÍRUČKA PRE POUŽITIE A ÚDRŽBU	sk
НАРЪЧНИК ЗА ИЗПОЛЗВАНЕ И ПОДДРЪЖКА	bg
КЕРІВНИЦТВО З ЕКСПЛУАТАЦІЇ Й ТЕХНІЧНОГО ОБСЛУГОВУВАННЯ	uk
KNJIŽICOM O UPOTREBI I ODRŽAVANJU	bs
ΕΓΧΕΙΡΙΔΙΟ ΧΡΗΣΗΣ ΚΑΙ ΣΥΝΤΗΡΗΣΗΣ	el
使用和维护手册	zh
ПАЙДАЛАНУ ЖӘНЕ ТЕХНИКАЛЫҚ ҚЫЗМЕТ КӨРСЕТУ ЖЕТЕКШІЛІГІ	kk

EKO 3 - EKO 9


TECHNICAL DATA TABLE - TABELLA DATI TECNICI - TECHNISCHE DATENTABELLE - TABLA DE DATOS TÉCNICOS - TABLEAU DES DONNÉES TECHNIQUES - TABEL TECHNISCHE GEGEVENS - TABELA DE DADOS TÉCNICOS - TEKNISK DATATABEL - TEKNISTEN TIETOJEN TAULUKKO - TABELL FOR TEKNISKE DATA - TABELL MED TEKNISKA EGENSKAPER - TABELA DANYCH TECHNICZNYCH - ТАБЛИЦЕ ТЕХНИЧЕСКИХ ДАННЫХ - TABULKA TECHNICKÝCH ÚDAJŮ - MŰSZAKI ADATOK TÁBLÁZATÁN - TEHNIČNI PODATKI - TEKNİK VERİLER TABLOSUNDA - TABLICI S TEHNIČKIM PODACIMA - TECHNINIŲ DUOMENŲ LENTELĖJE - TEHNISKO DATU TABULA - TEHNILISTE ANDMETE TABEL - TABELUL CU DATE TEHNICE - TABUĽKA TECHNICKÝCH ÚDAJOV - ТАБЛИЦА ТЕХНИЧЕСКИ ДАННИ - ТАБЛИЦІ ТЕХНІЧНИХ ДАНИХ - TABELI SA TEHNIČKIM PODACIMA - ΠΙΝΑΚΙΔΑ ΤΩΝ ΤΕΧΝΙΚΩΝ ΣΤΟΙΧΕΙΩΝ - 技术参数 - ТЕХНИКАЛЫҚ КӨРСЕТКІШТЕР КЕСТЕСІ

	EKO 3	EKO 9
	<i>MODEL 1</i>	<i>MODEL 2</i>
	2,8 kW-кВт 2.400 kcal/h-ккал/ч 10.000 Btu/h-БТЕ/ч	9 kW-кВт 7.700 kcal/h-ккал/ч 31.000 Btu/h-БТЕ/ч
	800 m³/h-м³/ч	1.400 m³/h-м³/ч
	~220-240 V-B 50 Hz-Гц 12,4 A	3N~380-400 V-B 50 Hz-Гц 13,8 A
	19 kg-кг	35 kg-кг
IP20		

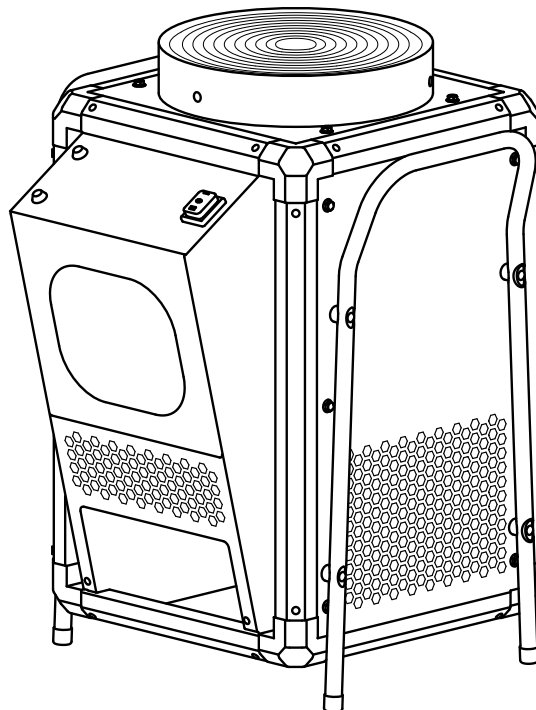
EKO 3**MODEL 1****EKO 9****MODEL 2**

	SYMBOL	UNIT		
HEAT OUTPUT				
Nominal heat output	P_{nom}	kW	2,8	9
AUXILIARY ELECTRICITY CONSUMPTION				
At nominal heat output	e_{lmax}	kW	N/A	N/A
TYPE OF HEAT INPUT, FOR ELECTRIC STORAGE LOCAL SPACE HEATERS ONLY (SELECT ONE)				
Manual heat charge control, with integrated thermostat			No	
Manual heat charge control with room and/or outdoor temperature feedback			No	
Electronic heat charge control with room and/or outdoor temperature feedback			No	
Fan assisted heat output			No	
TYPE OF HEAT OUTPUT/ROOM TEMPERATURE CONTROL (SELECT ONE)				
Single stage heat output and no room temperature control			No	
Two or more manual stages, no room temperature control			No	
With mechanic thermostat room temperature control			Yes	
With electronic room temperature control			Yes	
Electronic room temperature control plus day timer			No	
Electronic room temperature control plus week timer			No	
OTHER CONTROL OPTIONS (MULTIPLE SELECTIONS POSSIBLE)				
Room temperature control, with presence detection			No	
Room temperature control, with open window detection			No	
With distance control option			No	
With adaptive start control			No	
With working time limitation			No	
With black bulb sensor			No	
Contact Details (See the CE CONFORMITY CERTIFICATE)				

ATTENTION: This product is only suitable for well insulated spaces or occasional use. - ATTENZIONE: Il prodotto è destinato ad essere usato solo in spazi ben isolati o all'uso occasionale. - ACHTUNG: Dieses Produkt ist nur für gut isolierte Bereiche oder gelegentliche Verwendung geeignet. - ATENCIÓN: Este producto es apto solamente para espacios bien aislados o de uso ocasional. - ATTENTION: Ce produit convient uniquement pour les espaces bien isolés ou pour une utilisation occasionnelle. - LET OP: Dit is product is enkel aangewezen voor goed geïsoleerde ruimten of voor occasioneel gebruik. - ATENÇÃO: Este produto é adequado apenas para espaços bem isolados ou uso ocasional. - ADVARSEL: Dette produkt er kun egnet til velisolerede rum eller til lejlighedsvis brug. - HUOMIO: Tämä tuote soveltuu vain hyvin eristettyihin tiloihin tai satunnaiseen käyttöön. - VÆR OPPMERKSOM: Dette produktet er kun egnet for godt isolerte rom eller sporadisk bruk. - OBSERVERA: Denna produkt är endast lämplig för välisolerade utrymmen eller tillfällig användning. - UWAGA: ten produkt jest przeznaczony tylko do dobrze izolowanych pomieszczeń lub okazjonalnego zastosowania. - ВНИМАНИЕ: Данный продукт пригоден только для хорошо изолированных сред или для редкого применения. - POZOR: Tento produkt je vhodný pouze pro dobře izolované prostory nebo příležitostné použití. - FIGYELEM: A termék használatra csak jól szigetelt térben vagy csak alkalmoszerűen megengedett. - POZOR: Ta izdelek ni primeren za dobro izolirane prostore ali občasno rabo. - DİKKAT: Bu ürün sadece iyi şekilde yalıtılmış alanlar veya ara sıra kullanım için uygundur. - UPOZORENJE: Ovaj proizvod je prikladan samo za dobro izolirane prostore ili povremenu uporabu. - DÉMESIO: šis produktas tinka tik gerai izoliuotoms vietoms arba tik atsitiktiniam naudojimui. - UZMANĪBU: Šis izstrādājums ir piemērots tikai labi izolētām telpām vai gadījuma lietošanai. - TÁHELEPANU: Toode sobib üksnes hästi isoleeritud ruumides või juhuslikuks kasutamiseks. - ATENȚIE: Acest produs este potrivit pentru spații bine izolate sau pentru uz ocazional. - POZOR: Tento produkt je vhodný iba pre dobre izolované priestory alebo príležitostné použitie. - ВНИМАНИЕ: Този продукт е подходящ за използване само в добре изолирани помещения или за спорадична употреба. - УВАГА: Цей продукт підходить тільки для добре утеплених приміщень або випадкового використання. - PAŽNJA: Ovaj proizvod je pogodan samo za dobro izolirane prostore ili povremenu upotrebu. - ΠΡΟΣΟΧΗ: Το προϊόν αυτό είναι κατάλληλο μόνο για καλά μονωμένους χώρους ή περιστασιακή χρήση. - 注意:本产品仅适用于隔热良好的空间或偶尔使用。 - НАЗАР АУДАРЫҢЫЗ: Бұл өнім тек жақсы оқшауланған орындарға немесе кездейсоқ қолданысқа арналған.

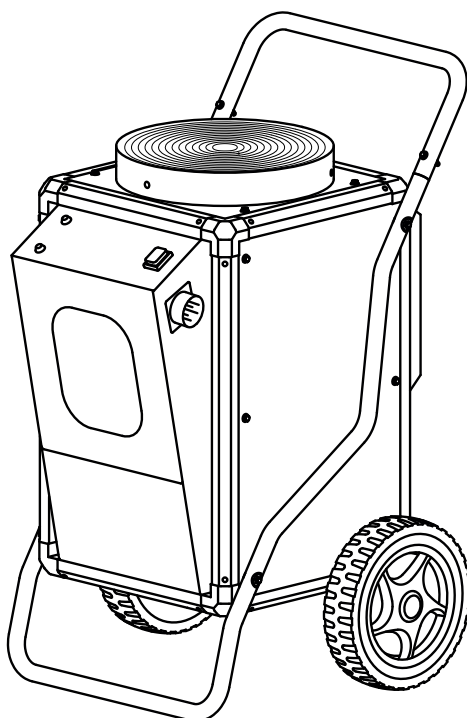
PICTURES - FIGURE - ABBILDUNGEN - FIGURAS - FIGURES - FIGUREN - FIGURAS - FIGURER - KUVAT - FIGURER - FIGUR - RYSUNKI - РИСУНКИ - OB-
RÁZKY - ÁBRÁK - SLIKE - ŞEKİLLER - SLIKE - PAVEIKSLĖLIAI - ATTĒLI - JO-
ONISED - IMAGINI - OBRÁZKY - ФИГУРА - МАЛЮНКИ - SLIKE - ΕΙΚΟΝΕΣ - 
- СУРЕТТЕР

MODEL 1



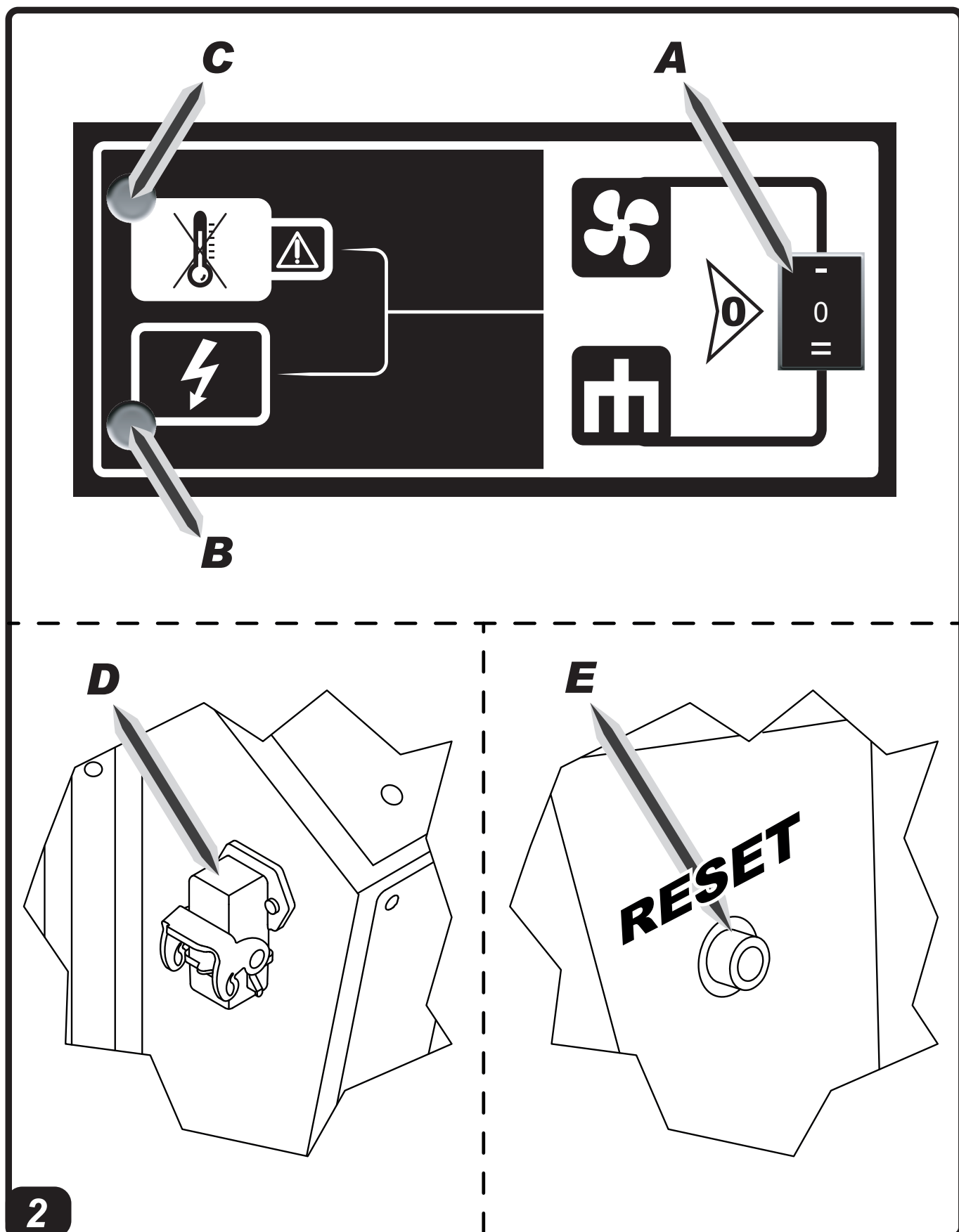
1

MODEL 2

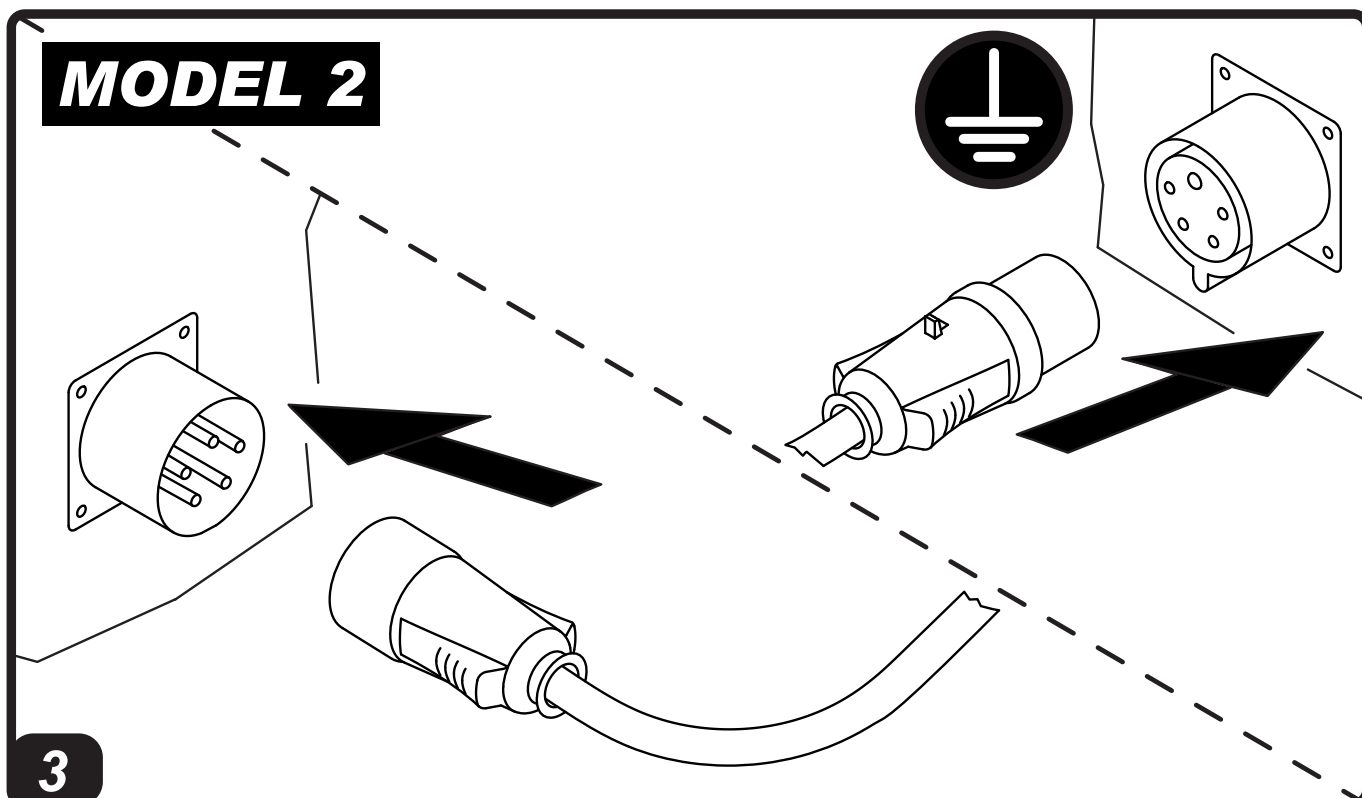
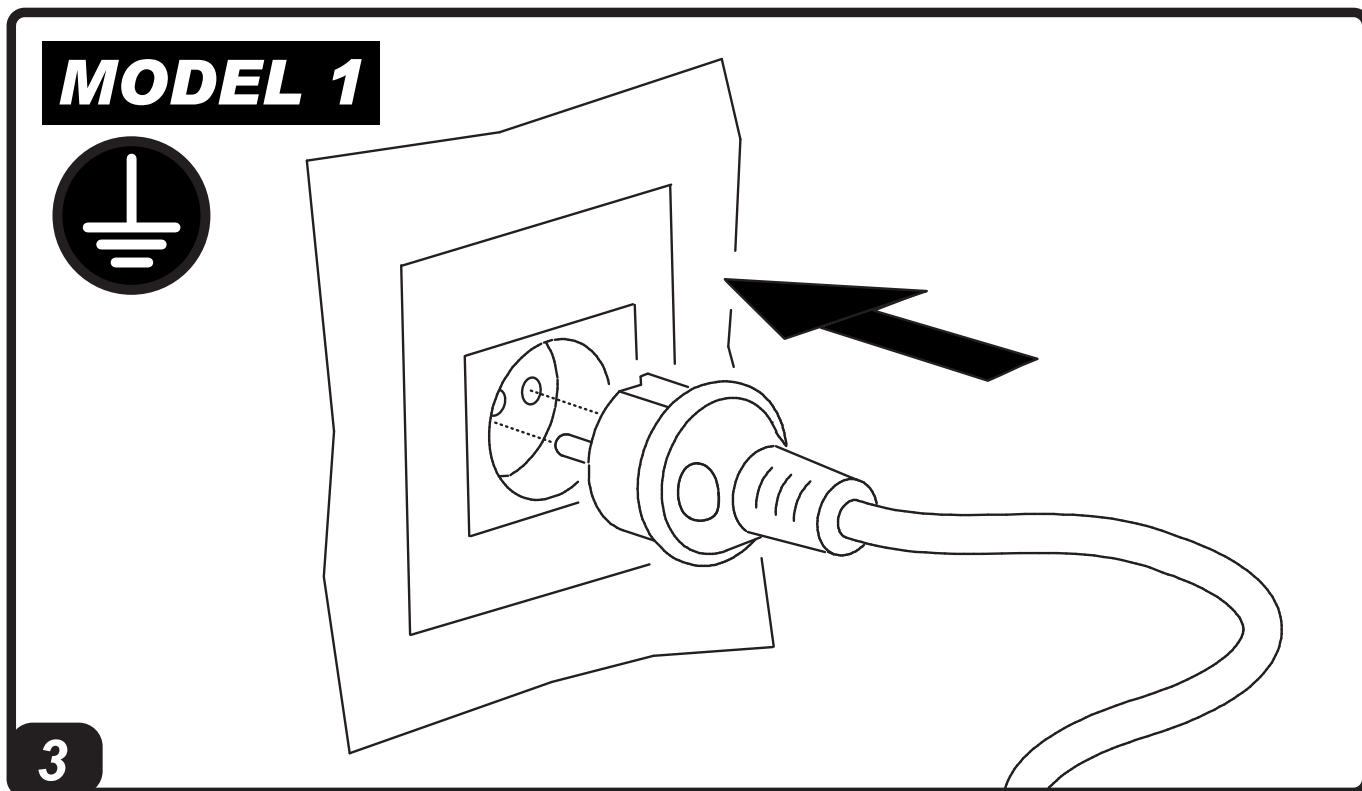


1

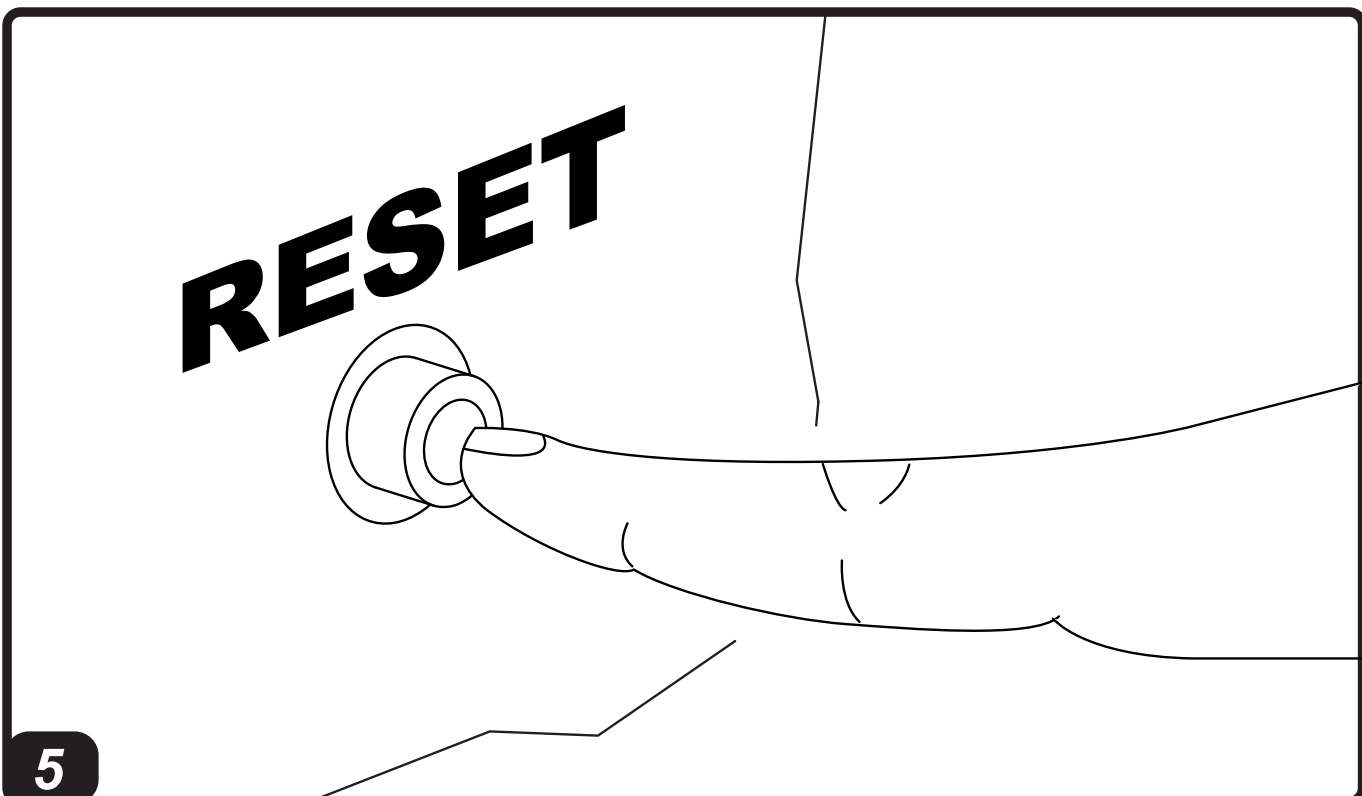
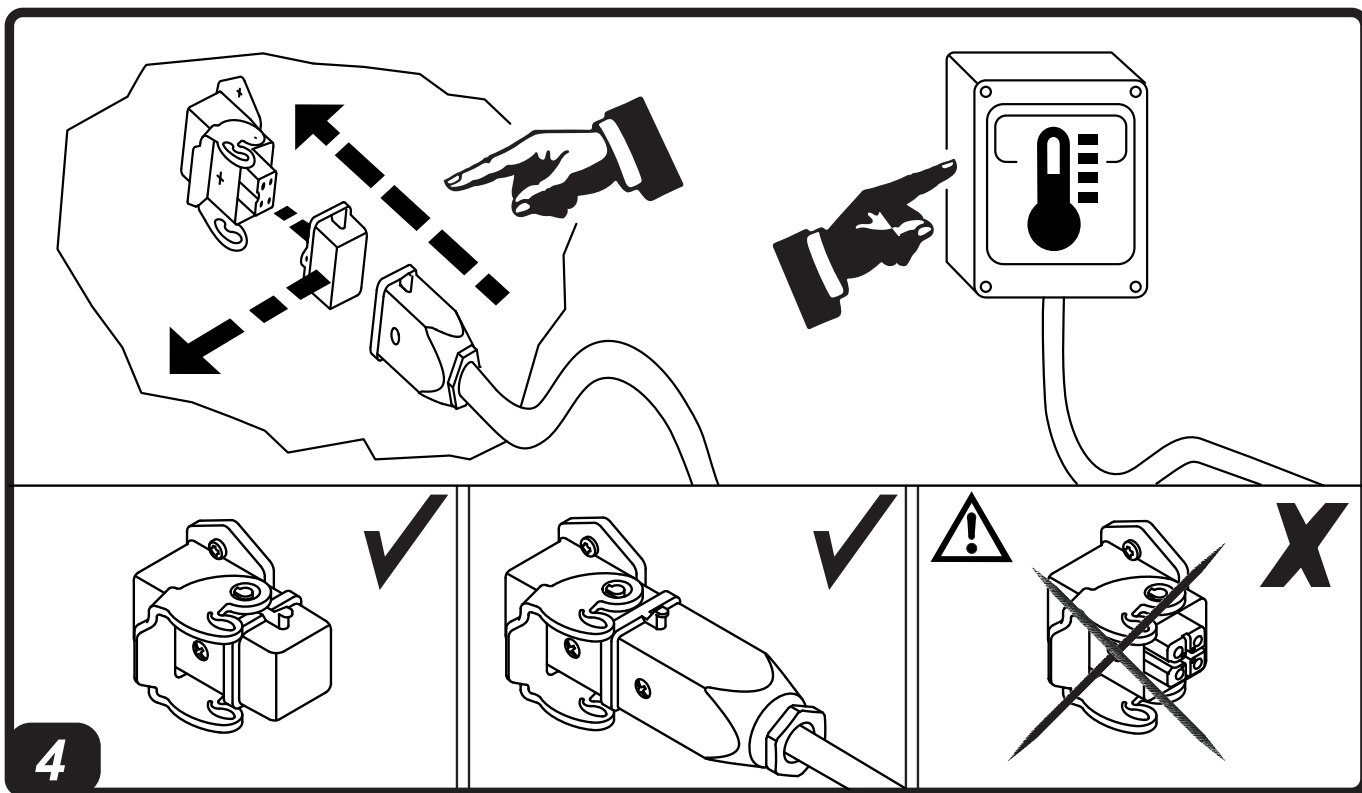
PICTURES - FIGURE - ABBILDUNGEN - FIGURAS - FIGURES - FIGUREN - FIGURAS - FIGURER - KUVAT - FIGURER - FIGUR - RYSUNKI - РИСУНКИ - OB-
RÁZKY - ÁBRÁK - SLIKE - ŞEKİLLER - SLIKE - PAVEIKSLĖLIAI - ATTĒLI - JO-
ONISED - IMAGINI - OBRÁZKY - ФИГУРА - МАЛЮНКИ - SLIKE - ΕΙΚΟΝΕΣ - 图
- СУРЕТТЕР



PICTURES - FIGURE - ABBILDUNGEN - FIGURAS - FIGURES - FIGUREN - FIGURAS - FIGURER - KUVAT - FIGURER - FIGUR - RYSUNKI - РИСУНКИ - OB-
RÁZKY - ÁBRÁK - SLIKE - ŞEKİLLER - SLIKE - PAVEIKSLĖLIAI - ATTĒLI - JO-
ONISED - IMAGINI - OBRÁZKY - ФИГУРА - МАЛЮНКИ - SLIKE - ΕΙΚΟΝΕΣ - 图
- СУРЕТТЕР



PICTURES - FIGURE - ABBILDUNGEN - FIGURAS - FIGURES - FIGUREN - FIGURAS - FIGURER - KUVAT - FIGURER - FIGUR - RYSUNKI - РИСУНКИ - OB-
RÁZKY - ÁBRÁK - SLIKE - ŞEKİLLER - SLIKE - PAVEIKSLĖLIAI - ATTĒLI - JO-
ONISED - IMAGINI - OBRÁZKY - ΦΙΓΥΡΑ - МАЛЮНКИ - SLIKE - ΕΙΚΟΝΕΣ - 图
- СУРЕТТЕР



►► 1. SAFETY INFORMATION

(Fig. 1)

This series of hot air heaters is particularly suited to obtain and maintain high temperatures (~ 60°C / 140°F) in appropriately insulated and sized closed environments. These heaters comply with the current European directive.

IMPORTANT: You are required to read and understand this operational manual prior to assembling, starting up or conducting maintenance on this heater. Using the heater incorrectly can cause serious injury. Keep this manual for future reference.

IMPORTANT: This heater is not suitable for use by persons (including children) with reduced physical, sensory or mental capacities or with lack of experience or knowledge unless supervised by a person responsible for their safety. Children must be supervised to make sure they do not play with the heater.

IMPORTANT: All cleaning, maintenance and repair operations that involve access to dangerous parts (such as replacing a damaged power cable) must be performed by the manufacturer, by their technical support centre, or by a person with a similar qualification, in order to prevent any risk, even if disconnection from the mains is required.

IMPORTANT: Comply with all local legislation and current regulations when using the heater.

IMPORTANT: This heater can reach high temperatures. To avoid serious damage, it is essential to use the heater in safe conditions, paying the utmost attention that there are no materials, objects, etc. sensitive to high temperatures (~ 60°C / 140°F) in the room.

► 1.1. The Heater used near tarpaulins, curtains or other similar covering materials must be a safe distance from them.

► 1.2. Keep the heater a safe distance from humidity, water and atmospheric agents to prevent serious damage to the heater.

► 1.3. Keep the hot parts of the heater a suitable distance from inflammable or thermolabile materials (including the power supply cable).

► 1.4. Never move, handle or conduct maintenance on the heater when it is hot, connected to the mains or in operation.

► 1.5. Avoid fire hazards by placing the hot or functioning heater on a steady level surface.

► 1.6. Keep animals at a safe distance from the heater.

► 1.7. Power on the heater only with a current which has the voltage and frequency values specified on the heater's identification plate.

► 1.8. Make sure the heater is only connected to suitable mains with a residual current device and suitable earthing.

► 1.9. If the power supply cable is damaged, it must be replaced by a technical support centre to prevent any risk.

► 1.10. Disconnect the heater from the mains power supply when not in use.

► 1.11. Always disconnect the heater from the mains if temporarily left in unsafe conditions and make sure it cannot be used.

► 1.12. Never block, not even partially, the heater's air vent or the air outlet. The heater has a very strong fan. During use, the surrounding environment must be clean and clear objects that can be suctioned.

► 1.13. Only use original ducting kits to direct the air (where applicable).

► 1.14. Do not cover the heater, it might overheat.

► 1.15. Ask the technical support service to check that the heater is working properly at least once a year and/or as required.

THE MANUFACTURER DECLINES ANY LIABILITY FOR DAMAGE/INJURIES TO PROPERTY/PERSONS DERIVING FROM IMPROPER USE OF THE HEATER.

ONLY SPECIALISED PERSONNEL AUTHORISED BY THE MANUFACTURER CAN PERFORM WORK ON THE HEATER.

►► 2. UNPACKING

WARNING: The packaging material is not a toy. Keep the plastic bag out of the reach of children; danger of suffocation!

► 2.1. Remove all packaging material used to deliver the heater and dispose of it in compliance with current standards.

► 2.2. Remove all items from the packaging.

► 2.3. Check for any damage incurred during transport. If the heater appears damaged, immediately inform the dealer from whom it was purchased.

►► 3. ASSEMBLY

Some models can be fitted with wheels, handles, supports and power cable. The mechanical parts, which come with the relative nuts and bolts, are in the heater's packaging and must be assembled before the product is turned on.

►► 4. CONTROL PANEL

(Fig. 2)

A. Power selector;

B. ON light;

C. Machine blocked light;

D. Room thermostat socket;

E. "RESET" button.

►► 5. OPERATION

WARNING: You are required to read, understand and follow the "INFORMATION ON SAFETY" before starting the heater in order to use it correctly and avoid risks.

WARNING: Make sure the power supply cable is intact and that the features of the mains power supply match the ones on the heater's technical data plate.

WARNING: Never use the heater without first assembling all the components correctly and making sure the heater is positioned on a perfectly flat, stable and level surface.

►► 5.1. SWITCH-ON:

- 5.1.1. Connect the heater's plug to the mains (Fig. 3).
- 5.1.2. Connect the room thermostat to the heater (Fig. 4) (If the heater is not connected to the room thermostat, it will run at the maximum heating output).
- 5.1.3. Set the power selector at the desired mode (A Fig. 2). Here are the available settings:
 - By setting the power selector to "FAN" the heater will only operate in ventilation mode.
 - By setting the power selector to "HEATING" the heater will operate at the maximum heating output.

CAUTION: A SERIES OF SENSORS CHECK THAT THE HEATER IS OPERATING CORRECTLY AND STOPS THE APPLIANCE IN THE EVENT OF A SERIOUS FAULT. THE HEATER WILL NOT RESUME OPERATION AUTOMATICALLY, THIS MUST BE PERFORMED MANUALLY. WAIT FOR THE HEATER TO COOL DOWN COMPLETELY AND REMOVE ANYTHING WHICH MIGHT HAVE BLOCKED THE HEATER (E.G. OBSTRUCTED AN AIR VENT, IMPAIRED THE AIR SUPPLY, ETC.) AND PRESS THE "RESET" BUTTON ALL THE WAY DOWN (Fig. 5). MAKE SURE THE "BLOCKED HEATER INDICATOR (C Fig. 2)" TURNS OFF. IF, AFTER A FEW ATTEMPTS TO RESUME OPERATION, THE HEATER DOES NOT WORK, CONTACT THE TECHNICAL SUPPORT SERVICE.

►► 5.2. SWITCH-OFF:

- 5.2.1. Set the power selector to "0/OFF" (A Fig. 2) and leave the fan working until the heater fully turns off.
- 5.2.2. Disconnect the heater from the mains.

CAUTION: AVOID DISCONNECTING THE HEATER FROM THE MAINS BEFORE THE FAN HAS COMPLETELY STOPPED MOVING TO AVOID SERIOUS DAMAGE.

►► 6. STORAGE

Always disconnect the heater from the mains power supply (Fig. 10) when not in use and wait a few minutes for it to cool down completely before putting it away. Put it back in a dry place and protected from dust. When the heater is used again, check the condition of the power supply cable. If in doubt regarding its state, contact the technical support centre. In any case, have the technical support centre check that the heater is working properly at least once a year and/or as required.

►► 7. CONNECTING THE REMOTE ROOM THERMOSTAT

Remove the plug connected to the heater and connect the remote room thermostat (Fig. 4).

CAUTION: TO ENSURE CORRECT OPERATION, THE HEATER MUST HAVE EITHER THE PLUG COVER, OR THE REMOTE ROOM THERMOSTAT, OTHERWISE THE HEATER WILL NOT TURN ON.

►► 8. TROUBLESHOOTING

PROBLEM	POSSIBLE CAUSE	POSSIBLE SOLUTION
The heater doesn't work	1. Power selector set to "0/OFF" 2. Incorrect connection or setting of the room thermostat 3. No power supply 4. Blocked heater	1. Turn the power selector to the desired mode 2a. Insert the room thermostat's plug correctly 2b. Make sure the temperature set on the room thermostat is higher than the outdoor temperature 2c. Make sure the cap of the thermostat outlet is inserted correctly 3a. Insert the power supply cable correctly 3b. Make sure your mains power supply is working correctly 3c. Contact a support centre 4a. Turn the heater back on 4b. Contact a support centre
The motor doesn't work	1. Faulty motor 2. Fan blocked	1. Contact a support centre 2a. Remove any obstructions 2b. Contact a support centre
The heater doesn't heat	1. Power selector set to "VENTILATION" 2. Faulty internal appliance	1. Turn the power selector to "HEATING" 2. Contact a support centre
Reduced airflow	1. Obstructed air vent 2. Faulty motor	1a. Remove any obstructions 1b. Contact a support centre 2. Contact a support centre

►► 1. INFORMAZIONI SULLA SICUREZZA

(Fig. 1)

Questa serie di riscaldatori d'aria calda è particolarmente indicata per ottenere e mantenere, in ambienti chiusi opportunamente isolati e dimensionati, alte temperature (~ 60°C / 140°F). Questi riscaldatori sono conformi alla direttiva europea in vigore.

IMPORTANTE: Leggere e comprendere questo manuale operativo prima di effettuare l'assemblaggio, la messa in funzione o la manutenzione di questo riscaldatore. L'uso errato del riscaldatore può causare lesioni gravi. Conservare questo manuale a titolo di futuro riferimento.

IMPORTANTE: Questo riscaldatore non è adatto all'uso da parte di persone (incluse bambini) con capacità fisiche, sensoriali e mentali ridotte, o inesperte, a meno che non vengano supervisionate da una persona responsabile per la loro sicurezza. I bambini devono essere controllati, per assicurarsi che non giochino con il riscaldatore.

IMPORTANTE: Tutte le operazioni di pulizia, manutenzione e riparazione che prevedano l'accesso a parti pericolose (come la sostituzione del cavo di alimentazione danneggiato) devono essere svolte dal costruttore, dal suo servizio di assistenza tecnica, da una persona con qualifica simile, in modo da prevenire ogni rischio, anche se è prevista la disconnessione dalla rete di alimentazione.

IMPORTANTE: Durante l'uso del riscaldatore, attenersi a tutte le ordinanze locali ed alla normativa vigente.

IMPORTANTE: Questo riscaldatore può raggiungere alte temperature. Al fine di evitare gravi danni, è fondamentale utilizzare il riscaldatore in sicurezza, facendo massima attenzione che nell'ambiente non ci siano materiali, oggetti, ecc., sensibili alle alte temperature (~ 60°C / 140°F).

► 1.1. Il riscaldatore usato in prossimità di teloni, tende o altri materiali simili di copertura, deve essere situato a distanza di sicurezza da essi.

► 1.2. Tenere il riscaldatore a distanza di sicurezza da umidità, acqua e agenti atmosferici al fine di evitare danni gravi al riscaldatore.

► 1.3. Mantenere una adeguata distanza da materiali infiammabili, o termolabili (compreso il cavo di alimentazione) dalle parti calde del riscaldatore.

► 1.4. Quando il riscaldatore è caldo, o collegato alla rete elettrica, o in funzione non deve mai essere spostato, maneggiato né soggetto ad alcun intervento di manutenzione.

► 1.5. Porre il riscaldatore caldo, o in funzione, su una superficie stabile e livellata, in modo da evitare rischi di incendio.

► 1.6. Tenere gli animali a distanza di sicurezza dal riscaldatore.

► 1.7. Alimentare il riscaldatore solamente con corrente avente tensione e frequenza specificate sulla targhetta identificativa del riscaldatore.

► 1.8. Assicurarsi di collegare il riscaldatore solo a reti elettriche opportunamente dotate di interruttore differenziale e di adeguata messa a terra.

► 1.9. Se il cavo di alimentazione risulta danneggiato, deve essere sostituito dal centro assistenza tecnica, in modo da prevenire ogni rischio.

► 1.10. Scollegare il riscaldatore dalla presa di rete, quando non lo si usa.

► 1.11. Qualora il riscaldatore sia lasciato temporaneamente in condizioni non sicure, fare in modo che non possa essere usato e comunque scollegarlo sempre dalla presa di rete.

► 1.12. Non ostruire, anche parzialmente, la presa dell'aria, né l'uscita dell'aria del riscaldatore. Il riscaldatore ha un ventilatore molto potente, durante l'utilizzo, l'ambiente circostante deve essere pulito e privo di oggetti che possono essere aspirati.

► 1.13. Evitare di canalizzare l'aria, se non con kit originali (dove previsto).

► 1.14. Non coprire il riscaldatore, potrebbe andare in surriscaldamento.

► 1.15. Far verificare dall'assistenza tecnica, il corretto funzionamento del riscaldatore, almeno una volta all'anno e/o secondo l'esigenza.

IL COSTRUTTORE DECLINA OGNI RESPONSABILITÀ PER DANNI A COSE E/O PERSONE, DERIVANTI DALL'USO IMPROPRIO DEL RISCALDATORE.

SOLO PERSONALE SPECIALIZZATO ED AUTORIZZATO DAL COSTRUTTORE PUÒ INTERVENIRE SUL RISCALDATORE.

►► 2. DISIMBALLAGGIO

AVVERTENZA: Il materiale della confezione non è un giocattolo per bambini. Tenere il sacchetto di plastica lontano dalla portata dei bambini; pericolo di soffocamento!

► 2.1. Rimuovere tutti i materiali di imballaggio usati per confezionare e spedire il riscaldatore e smaltirli secondo le norme vigenti.

► 2.2. Estrarre tutti gli articoli dall'imballo.

► 2.3. Controllare eventuali danni subiti durante il trasporto. Se il riscaldatore appare danneggiato, informare immediatamente il concessionario presso il quale è stato acquistato.

►► 3. ASSEMBLAGGIO

Alcuni modelli possono essere dotati di ruote, maniglie, supporti e cavo di alimentazione. I componenti meccanici, completi della relativa bulloneria di montaggio, sono situati nell'imballo del riscaldatore, vanno assemblati prima dell'accensione.

►► 4. PANNELLO COMANDI

(Fig. 2)

A. Selettore di potenza;

B. Spia presenza tensione;

C. Spia macchina in blocco;

D. Presa termostato ambiente;

E. Pulsante di "RESET".

►► 5. FUNZIONAMENTO

AVVERTENZA: Al fine di utilizzare correttamente e di evitare rischi leggere, comprendere e seguire le "INFORMAZIONI SULLA SICUREZZA" prima di mettere in funzione il riscaldatore.

AVVERTENZA: Verificare la perfetta integrità del cavo di alimentazione e che le caratteristiche elettriche della rete corrispondano a quanto riportato sulla targhetta dati tecnici del riscaldatore.

AVVERTENZA: Non utilizzare mai il riscaldatore senza aver prima montato correttamente tutti i componenti e assicurarsi che il riscaldatore sia posizionato su una superficie perfettamente piana, stabile e livellata.

►► 5.1. ACCENSIONE:

► 5.1.1. Collegare la spina del riscaldatore alla rete elettrica (Fig. 3).

► 5.1.2. Collegare il termostato ambiente al riscaldatore (Fig. 4) (Il riscaldatore senza termostato ambiente collegato lavorerà alla massima potenza riscaldante).

► 5.1.3. Posizionare il selettore di potenza sulla modalità desiderata (A Fig. 2). Sono possibili le seguenti impostazioni:

- Posizionando il selettore di potenza su "VENTOLA" il riscaldatore lavorerà esclusivamente in modalità ventilazione.
- Posizionando il selettore di potenza su "RISCALDAMENTO" il riscaldatore lavorerà alla massima potenza riscaldante.

ATTENZIONE: UNA SERIE DI SENSORI, VERIFICANO IL CORRETTO FUNZIONAMENTO DEL RISCALDATORE, BLOCCANDO L'APPARECCHIO IN CASO DI GRAVE ANOMALIA. IL RIPRISTINO DEL RISCALDATORE NON È AUTOMATICO, MA DEVE ESSERE SVOLTO MANUALMENTE. ATTENDERE IL COMPLETO RAFFREDDAMENTO DEL RISCALDATORE, ELIMINARE LA POSSIBILE CAUSA CHE HA PORTATO AL BLOCCO DEL RISCALDATORE (ES. OSTRUZIONE DELLA PRESA D'ARIA, INSUFFICIENTE APPORTO D'ARIA, ECC.) E PREMERE A FONDO IL PULSANTE DI "RESET" (Fig. 5), VERIFICANDO CHE LA "SPIA RISCALDATORE IN BLOCCO (C Fig. 2)" SI SPENGA. SE DOPO ALCUNI TENTATIVI DI RIPRISTINO, IL RISCALDATORE NON DOVESSE FUNZIONARE, CONTATTARE L'ASSISTENZA TECNICA.

►► 5.2. SPEGNIMENTO:

► 5.2.1. Portare il selettore di potenza in posizione "0/OFF" (A Fig. 2) e lasciare la ventola in funzione, fino al completo spegnimento del riscaldatore.

► 5.2.2. Scollegare il riscaldatore dalla rete elettrica.

ATTENZIONE: EVITARE DI SCOLLEGARE IL RISCALDATORE DALLA RETE ELETTRICA PRIMA DEL COMPLETO ARRESTO DELLA VENTOLA, AL FINE DI EVITARE GRAVI DANNI.

►► 6. CONSERVAZIONE

Scollegare sempre il riscaldatore dalla rete elettrica (Fig. 10), quando non viene utilizzato e prima di riporlo, attendere alcuni minuti che sia completamente freddo. Riporlo in un ambiente asciutto e protetto dalla polvere. Quando il riscaldatore viene riutilizzato, controllare lo stato di manutenzione del cavo di alimentazione; se avete dubbi sulla buona conservazione, fate intervenire l'assistenza tecnica. In ogni caso far verificare dall'assistenza tecnica, il corretto funzionamento del riscaldatore, almeno una volta all'anno e/o secondo l'esigenza.

►► 7. COLLEGAMENTO TERMOSTATO AMBIENTE REMOTO

Rimuovere il tappo collegato al riscaldatore e collegare il termostato ambiente remoto (Fig. 4).

ATTENZIONE: PER UN CORRETTO FUNZIONAMENTO, IL RISCALDATORE DEVE AVERE COLLEGATO O IL COPRITAPPO, OPPURE IL TERMOSTATO AMBIENTE REMOTO, ALTRIMENTI IL RISCALDATORE NON SI ACCENDERÀ.

►► 8. INDIVIDUAZIONE PROBLEMA

PROBLEMA	POSSIBILE CAUSA	POSSIBILE SOLUZIONE
Il riscaldatore non funziona	<ol style="list-style-type: none"> 1. Selettore di potenza in posizione "0/OFF" 2. Collegamento o impostazione errata del termostato ambiente 3. Mancanza alimentazione 4. Riscaldatore in blocco 	<ol style="list-style-type: none"> 1. Posizionare il selettore di potenza sulla modalità desiderata 2a. Inserire correttamente la spina del termostato ambiente 2b. Verificare che la temperatura impostata sul termostato ambiente sia superiore alla temperatura esterna 2c. Verificare il corretto inserimento del cappuccio della presa termostato 3a. Inserire correttamente la spina nell'alimentazione elettrica 3b. Verificare il corretto funzionamento del vostro impianto elettrico 3c. Rivolgersi al centro di assistenza 4a. Ripristinare il riscaldatore 4b. Rivolgersi al centro di assistenza
Il motore non funziona	<ol style="list-style-type: none"> 1. Motore guasto 2. Ventola bloccata 	<ol style="list-style-type: none"> 1. Rivolgersi al centro di assistenza 2a. Rimuovere le ostruzioni 2b. Rivolgersi al centro di assistenza
Il riscaldatore non riscalda	<ol style="list-style-type: none"> 1. Selettore di potenza in posizione "VENTILAZIONE" 2. Apparecchiatura interna guasta 	<ol style="list-style-type: none"> 1. Posizionare il selettore di potenza su "RISCALDAMENTO" 2. Rivolgersi al centro di assistenza
Flusso d'aria ridotto	<ol style="list-style-type: none"> 1. Presa d'aria ostruita 2. Motore guasto 	<ol style="list-style-type: none"> 1a. Rimuovere le ostruzioni 1b. Rivolgersi al centro di assistenza 2. Rivolgersi al centro di assistenza

►► 1. SICHERHEITSHINWEISE

(Abb. 1)

Diese Serie von Warmluftzeuger eignet sich besonders dazu, in entsprechend isolierten und dimensionierten geschlossenen Umgebung hohe Temperaturen (~ 60°C / 140°F) zu erzielen und aufrechtzuerhalten. Diese Heizgeräte sind konform mit der mit der aktuell in Kraft stehenden Europäischen Richtlinie.

WICHTIGER HINWEIS: Vor der Montage, Inbetriebnahme oder Wartung des Heizgerätes ist diese Betriebsanleitung zu lesen und zu verstehen. Die falsche Benutzung des Heizgeräts kann zu schweren Verletzungen führen. Diese Anleitung zum späteren Nachschlagen gut aufbewahren.

WICHTIGER HINWEIS: Dieses Gerät ist nicht geeignet für den Gebrauch durch Personen (einschließlich Kindern) mit eingeschränkten körperlichen, sensorischen und geistigen Fähigkeiten bzw. ohne ausreichende Fachkenntnis, es sei denn, sie werden durch eine für ihre Sicherheit verantwortliche Person beaufsichtigt. Kinder sind zu beaufsichtigen, damit sie nicht mit dem Gerät spielen.

WICHTIGER HINWEIS: Alle Reinigungs-, Wartungs- und Reparaturarbeiten, bei denen auf gefährliche Bauteile zugegriffen werden muss (wie der Austausch des beschädigten Versorgungskabels) müssen durch den Hersteller, dessen Kundendienst oder durch ähnlich qualifiziertes Personal so vorgenommen werden, dass jedes Risiko vermieden wird, auch wenn hier die Trennung vom Stromnetz vorgesehen ist.

WICHTIGER HINWEIS: Während des Betriebs des Heizgeräts sind alle örtlichen Bestimmungen und geltenden Vorschriften zu beachten.

WICHTIGER HINWEIS: Dieser Warmluftzeuger kann hohe Temperaturen erreichen. Um schwere Unfälle zu vermeiden, muss der Warmluftzeuger in Sicherheit verwendet werden und es muss darauf geachtet werden, dass sich keine Materialien, Gegenstände usw. in der Umgebung befinden, die empfindlich gegen hohe Temperaturen (~ 60°C / 140°F) sind.

► 1.1. Beim Betrieb der Geräte ist ein Sicherheitsabstand von Planen, Vorhängen oder ähnlichen Materialien einzuhalten.

► 1.2. Das Heizgerät muss in einem Sicherheitsabstand zu Feuchtigkeit, Wasser und atmosphärische Einflüssen gehalten werden, um schwere Schäden am Gerät zu vermeiden.

► 1.3. Zwischen brennbaren bzw. wärmeempfindlichen Stoffen (einschließlich des Netzkabels) und den heißen Teilen des Heizgeräts ist ein ausreichender Abstand einzuhalten.

► 1.4. Wenn das Heizgerät heiß oder an das Stromnetz angeschlossen oder in Betrieb ist, darf es niemals bewegt oder gewartet werden.

► 1.5. Das Heizgerät muss, wenn es heiß oder in Betrieb ist, auf einer stabilen und ebenen Fläche stehen, um Brandgefahr zu vermeiden.

► 1.6. Halten Sie Haustiere in einem sicheren Abstand vom Gerät.

► 1.7. Die Stromversorgung des Heizgeräts muss die auf dessen Typenschild angegebene Spannung und Frequenz aufweisen.

► 1.8. Sicherstellen, dass das Gerät nur an Stromnetze mit FI-Schutzschalter und geeigneter Erdung angeschlossen ist.

► 1.9. Wenn das Netzkabel beschädigt ist, muss es durch den Kundendienst ausgetauscht werden, um Gefahren auszuschließen.

► 1.10. Trennen Sie das Heizgerät vom Stromnetz, wenn Sie es nicht benutzen.

► 1.11. Wird das Heizgerät vorübergehend in einem unsicheren Zustand gelassen, ist dafür Sorge zu tragen, dass es nicht benutzt werden kann, in jedem Fall sollte es vom Stromnetz getrennt werden.

► 1.12. Niemals, auch nicht teilweise, die Luftzufuhr oder die Luftaustrittsöffnung des Heizgeräts verschließen. Das Heizgerät hat ein sehr leistungsstarkes Gebläse; während des Betriebs muss die Umgebung sauber und frei von Gegenständen sein, die angesaugt werden können.

► 1.13. Die Kanalisierung der Luft nur mit dem Original-Kit (wo vorgesehen) durchführen.

► 1.14. Das Heizgerät nicht abdecken, es könnte sich überhitzen.

► 1.15. Die korrekte Funktion des Heizgeräts mindestens einmal pro Jahr und / oder wenn nötig vom Kundendienst überprüfen lassen.

DER HERSTELLER LEHNT JEDE HAFTUNG FÜR SACH- UND/ODER PERSONENSCHÄDEN AB, DIE AUF UNSACHGEMÄSSEN GEBRAUCH DES HEIZGERÄTS ZURÜCKZUFÜHREN SIND.

NUR SPEZIALISIERTES UND VOM HERSTELLER AUTORISIERTES PERSONAL DARF AM HEIZGERÄT ZUM EINSATZ KOMMEN.

►► 2. AUSPACKEN

WARNUNG: Das Verpackungsmaterial ist kein Spielzeug für Kinder. Den Plastiksack von Kindern fern halten; Erstickungsgefahr!

► 2.1. Alle für Verpackung und Versand des Heizgeräts verwendeten Materialien müssen entfernt und vorschriftsgemäß entsorgt werden.

► 2.2. Nehmen Sie alle Artikel aus der Verpackung.

► 2.3. Kontrollieren, ob Transportschäden vorliegen. Wenn das Heizgerät beschädigt ist, sofort den Vertragshändler informieren, bei dem es erworben wurde.

►► 3. ZUSAMMENBAU

Einige Modelle können mit Rädern, Griffen, Halterungen oder Versorgungskabel ausgestattet sein. Die mechanischen Komponenten, zusammen mit der entsprechenden Montageausrüstung befinden sich in der Verpackung des Heizgeräts und müssen vor dem Einschalten montiert werden.

►► 4. BEDIENTAFEL

(Abb. 2)

- A. Leistungswahlschalter.
- B. Kontrolllampe Vorhandensein Spannung;
- C. Kontrolllampe Maschine blockiert;
- D. Stecker Umgebungsthermostat;
- E. Druckknopf für "RESET".

►► 5. BETRIEB

WARNUNG: Um das Heizgerät richtig zu benutzen und Gefahren zu vermeiden, müssen vor seiner Inbetriebnahme die "INFORMATIONEN ZUR SICHERHEIT" gelesen werden, verstanden worden sein und befolgt werden.

WARNUNG: Sicherstellen, dass das Versorgungskabel in einwandfreiem Zustand ist und die elektrischen Merkmale des Netzes den technischen Angaben auf dem Typenschild des Heizgeräts entsprechen.

WARNUNG: Das Heizgerät niemals benutzen, ohne vorher alle Komponenten ordnungsgemäß montiert zu haben, und sicherstellen, dass das Heizgerät auf einer völlig ebenen, stabilen und horizontalen Fläche aufgestellt ist.

►► 5.1. INBETRIEBNAHME:

► 5.1.1. Den Stecker des Heizgeräts an das Stromnetz anschließen (Abb. 3).

► 5.1.2. Den Raumthermostat an das Heizgerät anschließen (Abb. 4) (Ohne den angeschlossenen Raumthermostat arbeitet das Heizgerät mit maximaler Heizleistung).

► 5.1.3. Den Leistungswahlschalter auf die gewünschte Modalität einstellen (Abb. 2). Die folgenden Einstellungen sind möglich:

- Durch die Einstellung des Leistungswahlschalters auf "GEBLÄSE" arbeitet das Heizgerät nur in Ventilationsmodus.
- Durch die Einstellung des Leistungswahlschalters auf "HEIZEN" arbeitet das Heizgerät auf maximaler Heizleistung.

ACHTUNG: EINE REIHE AN SENSOREN KONTROLLIEREN DIE KORREKTE FUNKTION DES HEIZGERÄTS UND BLOCKIEREN DAS GERÄT IM FALLE VON GRAVIERENDEN ANOMALIEN. DIE WIEDERINBETRIEBNAHME DES HEIZGERÄTS ERFOLGT NICHT AUTOMATISCH, SONDERN MUSS MANUELL DURCHFÜHRT WERDEN. ABWARTEN, BIS DAS HEIZGERÄT KOMPLETT ABGEKÜHLT IST, DEN MÖGLICHEN FEHLER, DER ZUR BLOCKIERUNG GEFÜHRT HAT, BEHEBEN (Z.B. VERSTOPFUNG DER LUFTKLAPPE, UNZUREICHENDE LUFTZUFUHR, ETC.) UND DEN "RESET"- DRUCKKNOPF DURCHDRÜCKEN (Abb. 5), DABEI KONTROLLIEREN,

DASS SICH DIE "KONTROLLLAMPE HEIZGERÄT BLOCKIERT (C Abb. 2)" AUSSCHALTET. SOLLTE DAS HEIZGERÄT NACH MEHREREN WIEDERINBETRIEBNAHME- VERSUCHEN TROTZDEM NICHT FUNKTIONIEREN, IST DER TECHNISCHEKUNDENDIENST ZU KONTAKTIEREN.

►► 5.2. AUSSCHALTEN:

► 5.2.1. Den Leistungswahlschalter in Position "0/OFF" drehen, (Abb. 2), dabei das Gebläse in Betrieb belassen, bis das Heizgerät komplett abgeschaltet ist.

► 5.2.2. Das Heizgerät vom Stromnetz abtrennen.

ACHTUNG: DAS HEIZGERÄT ERST VON DER STROMVERSORUNG TRENNEN, WENN DIE GEBLÄSESCHRAUBE ZUM STILLSTAND GEKOMMEN IST, UM SCHWERE SCHÄDEN ZU VERMEIDEN.

►► 6. AUFBEWAHRUNG

Das Heizgerät immer von der Stromversorgung trennen, (Abb. 10), wenn es nicht benutzt wird, und einige Minuten abwarten, bis es vollständig abgekühlt ist, bevor es weggestellt wird. In einem trockenen und vor Staub geschützten Raum abstellen. Wenn das Heizgerät erneut benutzt wird, Erhaltungszustand des Versorgungskabels kontrollieren; bei Zweifeln hierzu wenden Sie sich bitte an den Kundendienst. Die korrekte Funktion des Heizgeräts auf jeden Fall mindestens einmal pro Jahr und / oder wenn nötig vom Kundendienst überprüfen lassen.

►► 7. ANSCHLUSS FERNRAUMTHERMOSTAT

Den mit dem Heizgerät verbundenen Verschluss abnehmen und den Fernraumthermostat (Optional) anschließen (Abb. 4). **ACHTUNG: FÜR EINEN KORREKTEN BETRIEB MÜSSEN ENTWEDER DIE ABDECKKAPPE, ODER DER FERNRAUMTHERMOSTAT AN DAS HEIZGERÄT ANGESCHLOSSEN SEIN, DA SICH DAS HEIZGERÄT ANSONSTEN NICHT EINSCHALTEN WIRD.**

►► 8. FEHLERSUCHE

PROBLEM	MÖGLICHE URSACHE	MÖGLICHE LÖSUNG
Das Heizgerät funktioniert nicht	1. Leistungswahlschalter in Position "0/OFF" 2. Anschluss oder Einstellung des Raumthermostats fehlerhaft 3. Fehlende Stromversorgung 4. Heizgerät blockiert	1. Den Leistungswahlschalter auf die gewünschte Modalität einstellen 2a. Den Stecker des Raumthermostats korrekt einfügen 2b. Kontrollieren, dass die auf dem Raumthermostat eingestellte Temperatur höher als die Außentemperatur ist 2c. Überprüfen, dass die Anschlusskappe des Thermostatsteckers korrekt eingefügt wurde 3a. Den Stromversorgungsstecker korrekt einfügen 3b. Die korrekte Funktion Ihrer elektrischen Anlage überprüfen 3c. Sich an den Kundendienst wenden 4a. Wiederinbetriebnahme des Heizgeräts 4b. Sich an den Kundendienst wenden
Der Motor funktioniert nicht	1. Motor defekt 2. Gebläse blockiert	1. Sich an den Kundendienst wenden 2a. Verstopfungen entfernen 2b. Sich an den Kundendienst wenden
Das Heizgerät heizt nicht	1. Leistungswahlschalter in Position "LÜFTUNG" 2. Innenausstattung defekt	1. Den Leistungswahlschalter auf "HEIZEN" einstellen 2. Sich an den Kundendienst wenden
Luftzufuhr reduziert	1. Luftklappe verstopft 2. Motor defekt	1a. Verstopfungen entfernen 1b. Sich an den Kundendienst wenden 2. Sich an den Kundendienst wenden

►► 1. INFORMACIONES SOBRE LA SEGURIDAD

(Fig. 1)

Esta serie de calefactores de aire caliente está especialmente indicada para conseguir mantener altas temperaturas, en ambientes correctamente aislados y dimensionados (~ 60°C / 140°F). Estos calefactores son conformes con la directiva europea en vigor.

IMPORTANTE: Lea y comprenda este manual de operaciones antes de efectuar el montaje, la puesta en funcionamiento o el mantenimiento de este calefactor. El uso erróneo del calefactor puede ocasionar lesiones graves. Conserve este manual como material de referencia para consultarlo en el futuro.

IMPORTANTE: Este calefactor no debe ser utilizado por personas (incluidos los niños) con capacidades físicas, sensoriales y mentales reducidas o por personas inexpertas, a menos que cuenten con la supervisión de una persona responsable de su seguridad. Se debe controlar a los niños para asegurarse de que no jueguen con el calefactor.

IMPORTANTE: todas las operaciones de limpieza, mantenimiento y reparación que requieran el acceso a partes peligrosas (como la sustitución del cable de alimentación dañado), deben ser llevadas a cabo por el fabricante, por su servicio de asistencia técnica o por una persona con una cualificación similar, para evitar riesgos, incluso si está prevista la desconexión de la red de alimentación.

IMPORTANTE: Durante el uso del calefactor, respete todas las ordenanzas locales y la normativa vigente.

IMPORTANTE: Este calefactor puede alcanzar temperaturas elevadas. Para evitar graves daños es básico utilizar el calefactor de manera segura, prestando la máxima atención a que no haya materiales, objetos, etc., sensibles a las altas temperaturas, en el ambiente (~ 60°C / 140°F).

► 1.1. El calefactor utilizado en las cercanías de lonas, cortinas u otros materiales similares de cobertura, debe estar situado a una distancia de seguridad de dichos materiales.

► 1.2. Mantenga el calefactor a una distancia de seguridad de la humedad, del agua y de agentes atmosféricos con el fin de evitar daños graves al calefactor.

► 1.3. Mantenga una distancia adecuada de las partes calientes del calefactor con los materiales inflamables o termolábiles (incluido el cable de alimentación).

► 1.4. Cuando el calefactor esté caliente, conectado a la red eléctrica o en funcionamiento, nunca lo desplace, lo manipule, ni tampoco realice ninguna intervención de mantenimiento sobre este.

► 1.5. Coloque el calefactor caliente, o en funcionamiento, sobre una superficie estable y nivelada, para evitar riesgos de incendio.

► 1.6. Mantenga los animales a una distancia de seguridad del calefactor.

► 1.7. Alimente el calefactor únicamente con corriente con la tensión y la frecuencia especificadas en la placa de identificación del calefactor.

► 1.8. Asegúrese de conectar el calefactor solo a redes eléctricas equipadas con un interruptor diferencial y con una adecuada puesta a tierra.

► 1.9. Si el cable de alimentación estuviera dañado, se debe sustituir por el centro de asistencia técnica autorizado, para prevenir cualquier riesgo.

► 1.10. Cuando no utilice el calefactor, desconéctelo de la toma de red.

► 1.11. Si se dejara temporalmente el calefactor en condiciones no seguras, hágalo de manera que no pueda ser utilizado y desconéctelo siempre de la toma de red.

► 1.12. No obstruya, ni siquiera parcialmente, la toma de aire, ni la salida de aire del calefactor. El calefactor lleva un ventilador muy potente, mientras se usa el ambiente alrededor debe estar limpio y sin objetos que puedan ser aspirados.

► 1.13. Evite canalizar el aire, si no es con los kits originales (cuando esté previsto).

► 1.14. No cubra el calefactor, podría sobrecalentarse.

► 1.15. Haga que la asistencia técnica verifique el funcionamiento correcto del calefactor, al menos una vez al año y/o según las exigencias.

EL FABRICANTE DECLINA TODA RESPONSABILIDAD POR DAÑOS A PERSONAS Y/O COSAS DERIVADOS DE UN USO INCORRECTO DEL CALEFACTOR.

SOLAMENTE PERSONAL ESPECIALIZADO Y AUTORIZADO POR EL FABRICANTE PUEDE INTERVENIR EN EL CALEFACTOR.

►► 2. DESEMBALAJE

ADVERTENCIA: El material de embalaje no es un juguete para los niños. Mantenga la bolsa de plástico alejada del alcance de los niños, ¡peligro de asfixia!

► 2.1. Retire todos los materiales del embalaje utilizados para embalar y expedir el calefactor y elimínelos según las normas vigentes.

► 2.2. Saque todos los artículos del embalaje.

► 2.3. Controle posibles daños durante el transporte. Si el calefactor estuviera dañado, informe inmediatamente al concesionario donde lo ha comprado.

►► 3. MONTAJE

Algunos modelos pueden disponer de ruedas, manillas, soportes y cable de alimentación. Los componentes mecánicos, junto con la relativa tornillería de montaje, se encuentran en el embalaje del calefactor y deben ensamblarse antes del encendido.

►► 4. PANEL DE MANDOS

(Fig. 2)

A. Selector de potencia;

B. Indicador de presencia de tensión;

D. Indicador de máquina bloqueada;

D. Toma termostato ambiente;

E. Pulsador de "RESTABLECIMIENTO".

►► 5. FUNCIONAMIENTO

ADVERTENCIA: Con el fin de utilizar correctamente y de evitar riesgos lea, comprenda y respete las "INFORMACIONES SOBRE LA SEGURIDAD" antes de poner en funcionamiento el calefactor.

ADVERTENCIA: Verifique la perfecta integridad del cable de alimentación y que las características eléctricas de la red correspondan con cuanto se indica en la placa de los datos técnicos del calefactor.

ADVERTENCIA: No utilice nunca el calefactor sin antes haber montado correctamente todos los componentes y asegúrese de que el calefactor esté posicionado sobre una superficie perfectamente llana, estable y nivelada.

►► **5.1. ENCENDIDO:**

► 5.1.1. Conecte la clavija del calefactor a la red eléctrica (Fig. 3).

► 5.1.2. Conecte el termostato ambiente al calefactor (Fig. 4) (El calefactor sin termostato ambiente conectado, funcionará a la máxima potencia de calentamiento).

► 5.1.3. Coloque el selector de potencia en la modalidad deseada (A Fig. 2). Son posibles las siguientes configuraciones:

- Posicionando el selector de potencia en "VENTILADOR" el calefactor funcionará exclusivamente en modalidad ventilación.

- Posicionando el selector de potencia en "CALENTAMIENTO" el calefactor funcionará con potencia de calentamiento.

ATENCIÓN: UNA SERIE DE SENSORES VERIFICAN EL FUNCIONAMIENTO CORRECTO DEL CALEFACTOR, BLOQUEANDO EL APARATO EN CASO DE ANOMALÍA GRAVE. EL RESTABLECIMIENTO DEL CALEFACTOR NO ES AUTOMÁTICO, YA QUE DEBE REALIZARSE MANUALMENTE. ESPERE EL ENFRIAMIENTO COMPLETO DEL CALEFACTOR, ELIMINE LA POSIBLE CAUSA QUE HA LLEVADO AL BLOQUEO DEL CALEFACTOR (EJ. OBSTRUCCIÓN DE LA TOMA DE AIRE, APORTE DE AIRE INSUFICIENTE, ETC.) Y PRESIONE A FONDO EL PULSADOR DE "RESTABLECIMIENTO" (Fig. 5), VERIFICANDO QUE EL "INDICADOR DE CALEFACTOR BLOQUEADO (C Fig. 2)" SE APAGUE. SI DESPUÉS DE

ALGUNOS TENTATIVOS DE RESTABLECIMIENTO, EL CALEFACTOR NO FUNCIONARA, PÓNGASE EN CONTACTO CON LA ASISTENCIA TÉCNICA.

►► **5.2. APAGADO:**

► 5.2.1. Ponga el selector de potencia en la posición "OFF/0" (A Fig. 2) y deje el ventilador en funcionamiento, hasta el apagado completo del calefactor.

► 5.2.2. Desconecte el calefactor a la red eléctrica.

ATENCIÓN: NO DESCONECTE EL CALEFACTOR DE LA RED ELÉCTRICA ANTES DE LA PARADA COMPLETA DEL VENTILADOR, PARA EVITAR DAÑOS GRAVES.

►► **6. CONSERVACIÓN**

Desconecte siempre el calefactor de la red eléctrica (Fig. 10), cuando no se utilice y antes de guardarlo, espere algunos minutos a que esté completamente frío. Guárdelo en un ambiente seco y protegido del polvo. Cuando vuelva a utilizarse el calefactor, controle el estado de mantenimiento del cable de alimentación; si tiene dudas sobre la buena conservación, llame a la asistencia técnica. En cualquier caso, haga que la asistencia técnica verifique el funcionamiento correcto del calefactor, al menos una vez al año y/o según las exigencias.

►► **7. CONEXIÓN DEL TERMOSTATO AMBIENTE REMOTO**

Retire el tapón conectado al calefactor y conecte el termostato ambiente remoto (Fig. 4).

ATENCIÓN: PARA UN FUNCIONAMIENTO CORRECTO, EL CALEFACTOR DEBE LLEVAR CONECTADA O, EL CUBRE TAPÓN, O BIEN EL TERMOSTATO AMBIENTE REMOTO, DE LO CONTRARIO NO SE ENCENDERÁ..

►► **8. LOCALIZACIÓN DEL PROBLEMA**

PROBLEMA	POSIBLE CAUSA	POSIBLE SOLUCIÓN
El calefactor no funciona	1. Selector de potencia en posición "0/OFF" 2. Conexión o configuración errónea del termostato ambiente 3. Falta alimentación 4. Calefactor bloqueado	1. Coloque el selector de potencia en la modalidad deseada 2a. Introduzca correctamente la clavija del termostato ambiente 2b. Verifique que la temperatura configurada en el termostato ambiente sea superior a la temperatura externa 2c. Verifique la introducción correcta de la capucha de la toma del termostato 3a. Introduzca correctamente la clavija en la alimentación eléctrica 3b. Verifique el funcionamiento correcto de su instalación eléctrica 3c. Diríjase al centro de asistencia 4a. Restablezca el calefactor 4b. Diríjase al centro de asistencia
El motor no funciona	1. Motor averiado 2. Ventilador bloqueado	1. Diríjase al centro de asistencia 2a. Retire las obstrucciones 2b. Diríjase al centro de asistencia
El calefactor no calienta	1. Selector de potencia en posición "VENTILACIÓN" 2. Dispositivos internos averiados	1. Coloque el selector de potencia en "CALENTAMIENTO" 2. Diríjase al centro de asistencia
Flujo de aire reducido	1. Toma de aire obstruida 2. Motor averiado	1a. Retire las obstrucciones 1b. Diríjase al centro de asistencia 2. Diríjase al centro de asistencia

►► 1. INFORMATIONS SUR LA SÉCURITÉ

(Fig. 1)

Cette série de réchauffeurs d'air chaud est particulièrement indiquée pour obtenir et maintenir, en milieux fermés opportunément isolés et dimensionnés, des températures élevées (~ 60°C/140°F). Ces réchauffeurs sont conformes à la Directive européenne en vigueur.

IMPORTANT : Veuillez lire et comprendre ce manuel d'utilisation avant d'effectuer l'assemblage, la mise en service ou l'entretien de ce réchauffeur. L'usage erroné du réchauffeur peut causer de graves lésions. Conserver ce manuel comme référence future.

IMPORTANT : Cet appareil de chauffage n'est pas adapté pour être utilisé par des personnes (y compris les enfants) ayant des capacités physiques, sensorielles ou mentales réduites ou par des personnes inexpérimentées, à moins qu'elles ne soient surveillées par une personne responsable de leur sécurité. Il convient de surveiller les enfants pour s'assurer qu'ils ne jouent pas avec le réchauffeur.

IMPORTANT : Toutes les opérations de nettoyage, d'entretien et de réparation prévoyant l'accès à des parties dangereuses (comme le remplacement du câble d'alimentation endommagé) doivent être effectuées par le fabricant, par son service d'assistance technique, par une personne ayant une qualification similaire, de façon à prévenir tout risque, même si la déconnexion du réseau d'alimentation est prévue.

IMPORTANT : Pendant l'utilisation du réchauffeur, respecter tous les arrêtés locaux et la réglementation en vigueur.

IMPORTANT : Ce réchauffeur peut atteindre des températures élevées. Afin d'éviter de graves dommages, il est fondamental d'utiliser le réchauffeur en toute sécurité, en faisant très attention que dans l'environnement il n'y ait pas de matériels, d'objets, etc., sensibles aux températures élevées (~ 60°C/140°F).

► 1.1. Le réchauffeur utilisé à proximité de bâches, de rideaux ou d'autres matériaux de couverture similaires doit être séparé de ceux-ci par une distance de sécurité.

► 1.2. Garder le réchauffeur à une distance de sécurité par rapport à l'humidité, l'eau et les agents atmosphériques afin d'éviter de graves dommages à l'appareil de chauffage.

► 1.3. Maintenir les parties chaudes du réchauffeur à une distance appropriée des matériaux inflammables ou thermolabiles (y compris le câble d'alimentation).

► 1.4. Lorsque le réchauffeur est chaud, branché au réseau électrique, ou en marche, ne jamais le déplacer, le manipuler ou le soumettre à des interventions d'entretien.

► 1.5. Placer le réchauffeur chaud, ou en marche, sur une surface stable et nivelée, de manière à éviter les risques d'incendie.

► 1.6. Garder les animaux à une distance de sécurité du réchauffeur.

► 1.7. N'alimenter le réchauffeur qu'avec du courant ayant la tension et la fréquence spécifiées sur la plaque d'identification de l'appareil.

► 1.8. S'assurer de brancher le réchauffeur exclusivement à des réseaux électriques opportunément équipés

d'un interrupteur différentiel et d'une mise à la terre appropriée.

► 1.9. Si le câble d'alimentation est endommagé, il doit être remplacé par le centre d'assistance technique, afin d'éviter tout risque.

► 1.10. Débrancher le réchauffeur de la prise de courant lorsqu'il n'est pas utilisé.

► 1.11. Si l'appareil est laissé temporairement dans des conditions de non sécurité, faire en sorte qu'il ne puisse être utilisé et, dans tous les cas, toujours le débrancher de la prise du réseau.

► 1.12. Ne pas obstruer, même partiellement, la prise de l'air, ni la sortie de l'air du réchauffeur. Le réchauffeur a un ventilateur très puissant, pendant l'utilisation, l'environnement autour doit être propre et dépourvu d'objets pouvant être aspirés.

► 1.13. Éviter de canaliser l'air, sauf avec des kits originaux (le cas échéant).

► 1.14. Ne pas couvrir le réchauffeur, il pourrait surchauffer.

► 1.15. Faire vérifier le fonctionnement correct du réchauffeur par l'assistance technique, au moins une fois par an ou selon la nécessité.

LE FABRICANT DÉCLINE TOUTE RESPONSABILITÉ EN CAS DE DOMMAGES, AUX BIENS ET/OU AUX PERSONNES, ISSUS D'UN USAGE IMPROPRE DE L'APPAREIL.

SEUL LE PERSONNEL SPÉCIALISÉ ET AUTORISÉ PAR LE FABRICANT PEUT INTERVENIR SUR LE RÉCHAUFFEUR.

►► 2. DÉBALLAGE

AVERTISSEMENT : Le matériel de l'emballage n'est pas un jouet pour les enfants. Conserver le sachet en plastique hors de la portée des enfants ; danger d'étouffement !

► 2.1. Enlever tous les matériaux d'emballage utilisés pour conditionner et expédier l'appareil et les éliminer conformément aux normes en vigueur.

► 2.2. Retirer tous les articles de l'emballage.

► 2.3. Contrôler les dégâts éventuellement subis pendant le transport. Si le réchauffeur est endommagé, informer immédiatement le concessionnaire auprès duquel il a été acheté.

►► 3. ASSEMBLAGE

Certains modèles peuvent être dotés de roues, de poignées, de supports et d'un câble d'alimentation. Les composants mécaniques, munis des boulons spécifiques d'assemblage, se trouvent dans l'emballage du réchauffeur, doivent être assemblés avant l'allumage.

►► 4. PANNEAU DE COMMANDE

(Fig. 2)

A. Sélecteur de puissance ;

B. Voyant de présence de tension ;

C. Voyant machine bloquée ;

D. Prise thermostat ambiant ;

E. Bouton de « RÉINITIALISATION ».

►► 5. FONCTIONNEMENT

AVERTISSEMENT : Afin de l'utiliser correctement et d'éviter tout risque, lire, comprendre et suivre les « INFORMATIONS SUR LA SÉCURITÉ » avant de mettre le réchauffeur en marche.

AVERTISSEMENT : Vérifier l'intégrité parfaite du câble d'alimentation et contrôler que les caractéristiques électriques du réseau correspondent aux indications de la plaque signalétique du réchauffeur.

AVERTISSEMENT : Ne jamais utiliser le réchauffeur sans avoir d'abord monté correctement tous les composants et s'assurer que l'appareil soit positionné sur une surface parfaitement plate, stable et nivelée.

►► 5.1. ALLUMAGE :

► 5.1.1. Brancher la fiche du réchauffeur au réseau électrique (Fig. 3).

► 5.1.2. Relier le thermostat d'ambiance au réchauffeur (Fig. 4) (Le réchauffeur sans thermostat d'ambiance relié travaillera à la puissance de chauffage maximum).

► 5.1.3. Positionner le sélecteur de puissance sur le mode souhaité (A Fig. 2). Les configurations suivantes sont possibles :

- En plaçant le sélecteur de puissance sur « VENTILATEUR », le réchauffeur travaille exclusivement en mode ventilation.

- En plaçant le sélecteur de puissance sur « CHAUFFAGE », le réchauffeur travaillera à la puissance de chauffage maximum.

ATTENTION : UNE SÉRIE DE CAPTEURS VÉRIFIE LE FONCTIONNEMENT CORRECTE DU RÉCHAUFFEUR EN BLOQUANT L'APPAREIL EN CAS DE BRAVE ANOMALIE. LE RÉTABLISSEMENT DU RÉCHAUFFEUR N'EST PAS AUTOMATIQUE MAIS IL DOIT ÊTRE EFFECTUÉ MANUELLEMENT. ATTENDRE LE REFROIDISSEMENT COMPLET DU RÉCHAUFFEUR, ÉLIMINER LA CAUSE POSSIBLE QUIA CONDUIT AU BLOCAGE DU RÉCHAUFFEUR COMME PAR EXEMPLE L'OBSTRUCTION DE LA PRISE D'AIR, L'APPORT D'AIR INSUFFISANT, ETC. ET APPUYER à FOND SUR LE BOUTON DE « RÉINITIALISATION » (Fig. 5), EN VÉRIFIANT QUE LE « VOYANT

RÉCHAUFFEUR BLOQUÉ (C Fig. 2) » SOIT ÉTEINT. SI APRÈS QUELQUES TENTATIVES DE RÉTABLISSEMENT, LE RÉCHAUFFEUR NE FONCTIONNE PAS, CONTACTER L'ASSISTANCE TECHNIQUE.

►► 5.2. EXTINCTION :

► 5.2.1. Placer le sélecteur de puissance sur « 0/OFF » (Fig. 2) et laisser le ventilateur en marche, jusqu'à l'extinction complète du réchauffeur.

► 5.2.2. Débrancher le réchauffeur du réseau électrique.

ATTENTION : ÉVITER DE DÉBRANCHER LE RÉCHAUFFEUR DU RÉSEAU ÉLECTRIQUE AVANT L'ARRÊT COMPLET DU VENTILATEUR, AFIN D'ÉVITER DE GRAVES DOMMAGES.

►► 6. CONSERVATION

Toujours débrancher le réchauffeur du réseau électrique (Fig. 10), lorsqu'il n'est pas utilisé et avant de le ranger, attendre quelques minutes qu'il se refroidisse complètement. Le ranger dans un endroit sec et à l'abri de la poussière. Lorsque vous réutilisez l'appareil, contrôlez l'état d'entretien du câble électrique ; si vous avez des doutes quant à son état de conservation, faites intervenir le centre d'assistance technique. Dans tous les cas faire vérifier, par l'assistance technique, le fonctionnement correct du réchauffeur au moins une fois par an et/ou selon la nécessité.

►► 7. BRANCHEMENT DU THERMOSTAT D'AMBIANCE À DISTANCE

Retirer le bouchon connecté au réchauffeur et connecter le thermostat d'ambiance à distance (Fig. 4).

ATTENTION : POUR UN BON FONCTIONNEMENT, LE RÉCHAUFFEUR DOIT AVOIR LE COUVRE-BOUCHON, OU BIEN LE THERMOSTAT D'AMBIANCE À DISTANCE RELIÉ, AUTREMENT LE RÉCHAUFFEUR NE S'ALLUMERA PAS.

►► 8. IDENTIFICATION DU PROBLÈME

PROBLÈME	CAUSE POSSIBLE	SOLUTION POSSIBLE
L'appareil de chauffage ne fonctionne pas	1. Sélecteur de puissance sur « 0/OFF » 2. Branchement ou configuration erronée du thermostat d'ambiance 3. Absence d'alimentation 4. Appareil de chauffage bloqué	1. Positionner le sélecteur de puissance sur le mode souhaité 2a. Introduire correctement la fiche du thermostat d'ambiance 2b. Vérifier que la température configurée sur le thermostat d'ambiance soit supérieure à la température extérieure 2c. Vérifier l'insertion correcte du capuchon de la prise du thermostat 3a. Bien introduire la fiche dans l'alimentation électrique 3b. Vérifier le fonctionnement correct de votre installation électrique 3c. Contacter le centre d'assistance 4a. Rétablir le réchauffeur 4b. Contacter le centre d'assistance
Le moteur ne fonctionne pas	1. Moteur en panne 2. Ventilateur bloqué	1. Contacter le centre d'assistance 2a. Éliminer les obstructions 2b. Contacter le centre d'assistance
L'appareil de chauffage ne chauffe pas	1. Sélecteur de puissance sur « VENTILATION » 2. Appareil à l'intérieur en panne	1. Positionner le sélecteur de puissance sur « CHAUFFAGE » 2. Contacter le centre d'assistance
Débit d'air réduit	1. Pris d'air obstruée 2. Moteur en panne	1a. Éliminer les obstructions 1b. Contacter le centre d'assistance 2. Contacter le centre d'assistance

►► 1. INFORMATIE BETREFFENDE DE VEILIGHEID

(Afb. 1)

Deze reeks warme-luchtverwarmers is met name geschikt om in afgesloten ruimtes met de juiste isolatie en afmetingen, hoge temperaturen (~ 60 °C / 140 °F) te verkrijgen en te handhaven. Deze verwarmingstoestellen zijn in overeenstemming met de geldende Europese richtlijn.

BELANGRIJK: Lees deze handleiding aandachtig en zorg dat u alles begrijpt vooraleer de montage, de inwerkingstelling of het onderhoud van dit verwarmingstoestel uit te voeren. Verkeerd gebruik van het verwarmingstoestel kan ernstige letsels veroorzaken. Bewaar deze handleiding om die later opnieuw te kunnen raadplegen.

BELANGRIJK: Dit verwarmingstoestel is niet geschikt om gebruikt te worden door personen (kinderen inbegrepen) met beperkte lichamelijke, zintuiglijke en mentale capaciteiten, of zonder ervaring, tenminste als ze niet onder toezicht staan van een persoon die verantwoordelijk is voor hun veiligheid. Zorg dat kinderen onder toezicht staan zodat ze niet met het verwarmingstoestel spelen.

BELANGRIJK: Alle werkzaamheden voor reiniging, onderhoud en reparatie die toegang voorzien tot gevaarlijke onderdelen (zoals het vervangen van een beschadigde voedingskabel) moeten door de fabrikant, door zijn technische dienst of door een persoon met gelijkaardige kwalificatie worden uitgevoerd om elk risico te voorkomen, zelfs als voorzien werd om het toestel van het voedingsnet los te koppelen.

BELANGRIJK: Tijdens het gebruik van het verwarmingstoestel dient u zich te houden aan alle plaatselijke verordeningen en aan de geldende wetgeving.

BELANGRIJK: Dit verwarmingstoestel kan hogetemperaturen bereiken. Om ernstige schade te vermijden, is het van fundamenteel belang om het verwarmingstoestel veilig te gebruiken, waarbij u zeer goed moet opletten dat zich in de ruimte geen materialen, voorwerpen enz. bevinden die gevoelig zijn voor hoge temperaturen (~ 60 °C / 140 °F).

► 1.1. Het verwarmingstoestel gebruikt in de buurt van zeilen, gordijnen of andere, gelijkaardige afdekmaterialen, moet op veilige afstand hiervan worden opgesteld.

► 1.2. Houd het verwarmingstoestel op veilige afstand van vocht, water en atmosferische invloeden om schade aan het toestel te voorkomen.

► 1.3. Houd voldoende afstand tussen ontvlambare of temperatuurgevoelige materialen (met inbegrip van de voedingskabel) en de warme delen van het verwarmingstoestel.

► 1.4. Wanneer het verwarmingstoestel warm is, of op het elektrische net aangesloten, of in werking is, mag deze nooit worden verplaatst, gehanteerd of onderworpen aan een onderhoudsinterventie.

► 1.5. Zet het verwarmingstoestel dat warm of in werking is op een stabiel, genivelleerd oppervlak, om brandgevaar te vermijden.

► 1.6. Houd dieren op veilige afstand van het verwarmingstoestel.

► 1.7. Voed het verwarmingstoestel uitsluitend met stroom waarvan spanning en frequentie overeenkomen met de specificatie op het identificatieplaatje van het toestel.

► 1.8. Zorg ervoor dat het verwarmingstoestel alleen wordt aangesloten op een elektriciteitsnet dat naar behoren

voorzien is van een differentiaalschakelaar en met een voldoende aarding.

► 1.9. Als de voedingskabel beschadigd blijkt, moet die door de technische dienst worden vervangen om ieder risico te vermijden.

► 1.10. Haal de stekker van het verwarmingstoestel uit het stopcontact wanneer u het toestel niet gebruikt.

► 1.11. Wanneer u het verwarmingstoestel tijdelijk in niet veilige omstandigheden laat, moet u ervoor zorgen dat het toestel niet gebruikt kan worden en in ieder geval altijd de stekker uit het stopcontact halen.

► 1.12. De luchtinlaat of de luchtuitlaat van het verwarmingstoestel niet blokkeren, ook niet gedeeltelijk. Het verwarmingstoestel heeft een zeer krachtige ventilator, tijdens het gebruik moet de omgeving schoon zijn en vrij van voorwerpen die kunnen worden aangezogen.

► 1.13. Vermijd om de lucht te kanaliseren, tenzij met gebruik van originele kit (waar voorzien).

► 1.14. Het verwarmingstoestel tijdens de werking niet afdekken, hierdoor kan het toestel gaan oververhitten.

► 1.15. Laat de technische dienst de correcte werking van het verwarmingstoestel minstens eenmaal per jaar en/of volgens de noodwendigheden controleren.

DE FABRIKANT WIJST ALLE VERANTWOORDELIJKHEID AF VOOR MATERIËLE SCHADE EN LICHEMELIJKE LETSELS DIE VOORTVLOEIEN UIT ONEIGENLIJK GEBRUIK VAN HET VERWARMINGSTOESTEL.

ALLEEN GESPECIALISEERD PERSONEEL DAT DOOR DE FABRIKANT IS GEAUTHORISEERD MAG INTERVENTIES OP HET VERWARMINGSTOESTEL UITVOEREN.

►► 2. UITPAKKEN

WAARSCHUWING: Het verpakkingsmateriaal is geen speelgoed voor kinderen. Houd het plastic zakje uit de buurt van kinderen; verstikkingsgevaar!

► 2.1. Haal alle verpakkingsmateriaal weg, gebruikt om het verwarmingstoestel te verpakken en te verzenden, en verwijder dit volgens de geldende normen.

► 2.2. Haal alle artikelen uit de verpakking.

► 2.3. Controleer of er tijdens het transport geen schade is opgetreden. Als het verwarmingstoestel beschadigd is, moet u onmiddellijk de dealer verwittigen, waar het toestel werd gekocht.

►► 3. MONTAGE

Bepaalde modellen kunnen voorzien zijn van wielen, handgrepen, steunen en voedingskabel. De mechanische onderdelen bevinden zich samen met de bijhorende montagebouten in de verpakking van het verwarmingstoestel en moeten gemonteerd worden voordat u het toestel aanzet.

►► 4. BEDIENINGSPANEEL

(Afb. 2)

A. Netschakelaar;

B. Controlelampje aanwezigheid spanning;

C. Controlelampje machine geblokkeerd;

D. Aansluiting omgevingsthermostaat;

E. "RESET"-knop.

►► 5. WERKING

WAARSCHUWING: Om het toestel correct te kunnen gebruiken en risico's te vermijden, moet u de "INFORMATIE BETREFFENDE DE VEILIGHEID" lezen, begrijpen en uitvoeren voordat u het verwarmingstoestel in werking stelt.

WAARSCHUWING: Controleer of de voedingskabel perfect intact is en of de elektrische kenmerken van het elektriciteitsnet overeenkomen met de gegevens vermeld op het typeplaatje met technische gegevens van het verwarmingstoestel.

WAARSCHUWING: Gebruik het verwarmingstoestel nooit zonder dat alle onderdelen correct zijn gemonteerd en controleer of het verwarmingstoestel op een perfect vlak, stabiel en genivelleerd oppervlak is geplaatst.

►► 5.1. INSCHAKELING:

► 5.1.1. Steek de stekker van het verwarmingstoestel in het stopcontact (Afb. 3).

► 5.1.2. Sluit de omgevingsthermostaat aan op het verwarmingstoestel (Afb. 4) (Het verwarmingstoestel zonder aangesloten omgevingsthermostaat zal op maximaal verwarmingsvermogen werken).

► 5.1.3. Zet de netschakelaar op de gewenste modaliteit (A Afb. 2). De volgende instellingen zijn mogelijk:

- Wanneer u de netschakelaar op "VENTILATIE" zet, zal het verwarmingstoestel uitsluitend in werkwijze ventilatie werken.
- Wanneer u de netschakelaar op "VERWARMEN" zet, zal het verwarmingstoestel op het maximale verwarmingsvermogen werken.

AANDACHT: EEN REEKS SENSOREN CONTROLEREN DE CORRECTE WERKING VAN HET VERWARMINGSTOESTEL EN BLOKKEREN HET TOESTEL IN GEVAL ER ZICH EEN ERNSTIGE STORING VOORDOET. DE WERKING VAN HET VERWARMINGSTOESTEL WORDT NIET AUTOMATISCH HERVAT, MAAR MOET MANUEEL WORDEN UITGEVOERD. WACHT TOT HET VERWARMINGSTOESTEL VOLLEDIG IS AFGEKOELD, NEEM DE MOGELIJKE OORZAAK WEG DIE TOT DE BLOKKERING VAN HET VERWARMINGSTOESTEL HEEFT GELEID (VB. AFDICHTING VAN DE LUCHTINLAAT, ONVOLDOENDE LUCHTAANVOER, ENZ.) EN DRUK DE "RESET"-KNOP HELEMAAL IN (Afb. 5), CONTROLEER OF HET "CONTROLELAMPJE VERWARMINGSTOESTEL GEBLOKKEERD (C Afb. 2)" UITSCHAKELT. INDIEN U ER

NA ENKELE POGINGEN NIET IN SLAGT OM HET VERWARMINGSTOESTEL OPNIEUW IN WERKING TE STELLEN, MOET U CONTACT OPNEMEN MET DE TECHNISCHE ASSISTENTIE.

►► 5.2. UITSCHAKELING:

► 5.2.1. Zet de netschakelaar in stand "0/OFF" (A Afb. 2) en laat de ventilator in werking tot het verwarmingstoestel volledig uitschakelt.

► 5.2.2. Haal de stekker van het verwarmingstoestel uit het stopcontact.

AANDACHT: VERMIJD OM HET VERWARMINGSTOESTEL VAN HET ELEKTRICITEITSNET LOS TE KOPPELEN VOÓR DE VENTILATOR STILVALT, DIT OM GROTE SCHADE TE VOORKOMEN.

►► 6. BEWAREN

Haal de stekker van het verwarmingstoestel altijd uit het stopcontact (Afb. 10), wanneer het toestel niet gebruikt wordt; moet u voordat u het opbergt, enkele minuten wachten tot het toestel volledig is afgekoeld. Plaats het toestel in een droge, stofvrije ruimte. Wanneer het verwarmingstoestel opnieuw wordt gebruikt, moet u de staat van de voedingskabel controleren; indien u twijfelt of die in goede staat is gebleven, moet u de technische assistentie een interventie laten uitvoeren. Laat de technische dienst in ieder geval de correcte werking van het verwarmingstoestel minstens eenmaal per jaar en/of volgens de noodwendigheden controleren.

►► 7. AANSLUITING OMGEVINGSTHERMOSTAAT OP AFSTAND

Verwijder het op het verwarmingstoestel aangesloten afsluitkapje en sluit de omgevingsthermostaat op afstand erop aan (Afb. 4).

AANDACHT: VOOR EEN CORRECTE WERKING MOET HET VERWARMINGSTOESTEL HET AFDEKKAPJE, OF DE OMGEVINGSTHERMOSTAAT HEBBEN AANGESLOTEN, ANDERS GAAT HET VERWARMINGSTOESTEL NIET AAN.

►► 8. EEN PROBLEEM OPSPOREN

PROBLEEM	MOGELIJKE OORZAAK	MOGELIJKE OPLOSSING
Het verwarmingstoestel werkt niet	1. Netschakelaar in stand "0/OFF" 2. Foutieve aansluiting of instelling van de omgevingsthermostaat 3. Geen voeding 4. Verwarmingstoestel geblokkeerd	1. Zet de netschakelaar in de gewenste modaliteit 2a. Steek de stekker van de omgevingsthermostaat er correct in 2b. Controleer of de ingestelde temperatuur op de omgevingsthermostaat hoger is dan de buitentemperatuur 2c. Controleer of het kapje van de aansluiting voor de thermostaat correct is aangebracht 3a. Steek de stekker correct in het stopcontact 3b. Controleer of uw elektrische installatie correct werkt 3c. Wend u tot de technische dienst 4a. Reset het verwarmingstoestel 4b. Wend u tot de technische dienst
De motor werkt niet	1. Motor defect 2. Ventilator geblokkeerd	1. Wend u tot de technische dienst 2a. Neem de obstructies weg 2b. Wend u tot de technische dienst
Het verwarmingstoestel verwarmt niet	1. Netschakelaar in stand "VENTILATIE" 2. Interne apparatuur defect	1. Zet de netschakelaar op "VERWARMEN" 2. Wend u tot de technische dienst
Beperkte luchtstroom	1. Luchtinlaat verstopt 2. Motor defect	1a. Neem de obstructies weg 1b. Wend u tot de technische dienst 2. Wend u tot de technische dienst

▶▶ 1. INFORMAÇÕES SOBRE A SEGURANÇA

(Fig. 1)

Esta série de aquecedores de ar quente é particularmente indicada para obter e manter, em ambientes interiores devidamente isolados e dimensionados, temperaturas elevadas (~ 60°C / 140°F). Estes aquecedores são conformes à diretiva europeia em vigor.

IMPORTANTE: Ler e compreender este manual operativo antes de efetuar a montagem, a colocação em função ou a manutenção deste aquecedor. O uso errado do aquecedor pode causar lesões graves. Conservar este manual como referência futura.

IMPORTANTE: Este aquecedor não é apto ao uso por parte de pessoas (inclusive crianças) com capacidades físicas, sensoriais e mentais reduzidas, ou sem experiência, a menos que não sejam supervisionadas por uma pessoa responsável pela segurança das mesmas. As crianças devem ser controladas, para certificar-se que não brinquem com o aquecedor.

IMPORTANTE: Todas as operações de limpeza e reparação que exijam o acesso a partes perigosas (como a substituição do cabo de alimentação estragado) devem ser efetuadas pelo fabricante, pelo seu serviço de assistência técnica, por uma pessoa com qualificação semelhante, de modo a prevenir qualquer risco, mesmo se foi prevista a desconexão da rede de alimentação.

IMPORTANTE: Durante o uso do aquecedor, respeitar todas as ordens locais e a normativa vigente.

IMPORTANTE: Este aquecedor pode alcançar altas temperaturas. A fim de evitar graves danos, é fundamental utilizar o aquecedor com segurança, prestando a máxima atenção para que no ambiente não haja materiais, objetos, etc. sensíveis às altas temperaturas (~ 60°C / 140°F).

▶ 1.1. O aquecedor usado nas proximidades de toldos, cortinas, ou outros materiais semelhantes de cobertura, deve estar posicionado a uma distância mínima de segurança.

▶ 1.2. Manter o aquecedor à distância de segurança da humidade, água e agentes atmosféricos, para evitar danos graves ao mesmo.

▶ 1.3. Manter uma distância adequada dos materiais inflamáveis, ou termolábeis (inclusive o cabo de alimentação) das partes quentes do aquecedor.

▶ 1.4. Quando o gerador está quente, conectado à rede elétrica ou em funcionamento nunca deve ser deslocado, manuseado ou submetido a nenhuma intervenção de manutenção.

▶ 1.5. Colocar o aquecedor quente ou em funcionamento sobre uma superfície estável e nivelada, a fim de evitar riscos de incêndio.

▶ 1.6. Manter os animais a uma distância de segurança do aquecedor.

▶ 1.7. Alimentar o gerador somente com corrente que tenha tensão e frequência especificadas na placa de identificação do aquecedor.

▶ 1.8. Certificar-se que o aquecedor seja conectado somente em redes elétricas devidamente dotadas de interruptor diferencial e adequada instalação à terra.

▶ 1.9. Se o cabo de alimentação estiver danificado, deverá ser substituído em um centro de assistência técnica, para prevenir qualquer tipo de risco.

▶ 1.10. Desconectar o aquecedor da tomada de rede, quando não se utiliza.

▶ 1.11. Se o aparelho for deixado temporariamente em condições não seguras, providenciar para que não possa ser usado e, em todo caso, desconectá-lo sempre da tomada de alimentação elétrica.

▶ 1.12. Não obstruir, nem mesmo parcialmente, a tomada do ar, nem a saída do ar do aquecedor. O aquecedor possui um ventilador muito potente, durante a utilização, o ambiente circunstante deve estar limpo e sem objetos que possam ser aspirados.

▶ 1.13. Evitar de canalizar o ar, se não com kit originais (onde previsto).

▶ 1.14. Não cobrir o aquecedor, poderia entrar em superaquecimento.

▶ 1.15. Solicitar à assistência técnica que verifique o correto funcionamento do aquecedor, pelo menos uma vez por ano e/ou segundo a exigência.

O FABRICANTE NÃO É RESPONSÁVEL POR DANOS A OBJETOS E/OU PESSOAS DECORRENTES DO USO IMPRÓPRIO DO AQUECEDOR.

SOMENTE O PESSOAL ESPECIALIZADO E AUTORIZADO PELO FABRICANTE PODE INTERVIR NO AQUECEDOR.

▶▶ 2. DESEMBALAGEM

ADVERTÊNCIA: O material da embalagem não é um brinquedo para crianças. Manter o saco de plástico fora do alcance das crianças; perigo de asfixia!

▶ 2.1. Remover todos os materiais de embalagem utilizados para embalar e enviar o aquecedor e eliminá-los segundo as normas em vigor.

▶ 2.2. Extrair todos os artigos da embalagem.

▶ 2.3. Controlar eventuais danos sofridos durante o transporte. Se o aquecedor aparentar danos, informar imediatamente o concessionário junto ao qual foi adquirido.

▶▶ 3. MONTAGEM

Alguns modelos podem ser equipados com rodas, pegas, suportes e cabo de alimentação. Os componentes mecânicos, acompanhados dos respetivos parafusos e porcas de montagem se encontram na embalagem do aquecedor e devem ser montados antes da ligação.

▶▶ 4. PAINEL DE COMANDOS

(Fig. 2)

A. Seletor de potência;

B. Indicador luminoso de presença de tensão;

C. Indicador luminoso de máquina em bloqueio;

D. Tomada termóstato ambiente;

E. Botão de "RESET".

▶▶ 5. FUNCIONAMENTO

ADVERTÊNCIA: Para utilizar corretamente e evitar riscos ler, compreender e seguir as "INFORMAÇÕES SOBRE A SEGURANÇA" antes de colocar o aquecedor em funcionamento.

ADVERTÊNCIA: Certificar-se da perfeita integridade do cabo de alimentação e que as características elétricas da rede correspondam ao que está referido na placa dos dados técnicos do aquecedor.

ADVERTÊNCIA: Nunca utilizar o aparelho sem antes ter montado corretamente todos os componentes e certificar-se que o aquecedor esteja posicionado sobre uma superfície perfeitamente plana, estável e nivelada.

►► **5.1. ACENDIMENTO:**

- 5.1.1. Ligar a ficha do aquecedor à rede elétrica (Fig. 3).
- 5.1.2. Conectar o termóstato ambiente ao aquecedor (Fig. 4) (O aquecedor sem termóstato ambiente conectado vai funcionar com a máxima potência de aquecimento).
- 5.1.3. Posicionar o seletor de potência na modalidade desejada (A Fig. 2). São possíveis as seguintes definições:
 - Posicionando o seletor de potência em “VENTOINHA” o aquecedor trabalhará exclusivamente em modalidade ventilação.
 - Posicionando o seletor de potência em “AQUECIMENTO” o aquecedor trabalhará com potência aquecedora.

ATENÇÃO: UMA SÉRIE DE SENSORES VERIFICAM O CORRETO FUNCIONAMENTO DO AQUECEDOR, BLOQUEANDO O APARELHO NO CASO DE ANOMALIA GRAVE. A REPRISTINAÇÃO DO AQUECEDOR NÃO É AUTOMÁTICA, MAS DEVE SER EFETUADO MANUALMENTE. AGUARDAR O RESFRIAMENTO COMPLETO DO AQUECEDOR, ELIMINAR A POSSÍVEL CAUSA QUE LEVOU AO BLOQUEIO DO AQUECEDOR (EX. OBSTRUÇÃO DA TOMADA DE AR, INSUFICIENTE ABASTECIMENTO DE AR, ETC.) E PREMIR A FUNDO O BOTÃO DE "RESET" (Fig. 5), VERIFICANDO QUE O "INDICADOR LUMINOSO DE AQUECEDOR EM BLOQUEIO (C Fig. 2)" APAGUE. SE APÓS ALGUMAS TENTATIVAS DE REPRISTINAÇÃO O AQUECEDOR NÃO FUNCIONA, CONTATAR A ASSISTÊNCIA TÉCNICA.

►► **5.2. DESLIGAMENTO:**

- 5.2.1. Colocar o seletor de potência na posição “0/OFF” (A Fig. 2) e deixar a ventoinha a funcionar até o completo desligamento do aquecedor.
- 5.2.2. Desconectar o aquecedor da rede elétrica.

ATENÇÃO: EVITAR DE DESCONECTAR O AQUECEDOR DA REDE ELÉTRICA ANTES DA PARADA COMPLETA DA VENTOINHA, PARA EVITAR GRAVES DANOS.

►► **6. CONSERVAÇÃO**

Desconectar sempre o aquecedor da rede elétrica (Fig. 10), quando não é utilizado e antes de guardá-lo aguardar alguns minutos para que esteja completamente frio. Guardá-lo em ambiente seco e protegido contra poeira. Quando o aquecedor é reutilizado, controlar o estado de manutenção do cabo de alimentação; se houver qualquer dúvida sobre a boa conservação, solicitar a intervenção da assistência técnica. Solicitar em todo caso à assistência técnica que verifique o correto funcionamento do aquecedor, pelo menos uma vez por ano e/ou segundo a exigência.

►► **7. LIGAÇÃO DO TERMÓSTATO AMBIENTE REMOTO**

Remover a tampa ligada ao aquecedor e conectar o termóstato remoto (Fig. 4).

ATENÇÃO: PARA UM CORRETO FUNCIONAMENTO, O AQUECEDOR DEVE TER CONECTADA A COBERTURA DO TAMPÃO, OU O TERMÓSTATO AMBIENTE REMOTO, SENÃO O AQUECEDOR NÃO SE AQUECERÁ.

►► **8. IDENTIFICAÇÃO DO PROBLEMA**

PROBLEMA	POSSÍVEL CAUSA	POSSÍVEL SOLUÇÃO
O aquecedor não funciona	1. Seletor de potência na posição “0/OFF” 2. Conexão ou definição errada do termóstato ambiente 3. Falta de alimentação 4. Aquecedor em bloqueio	1. Posicionar o seletor de potência na modalidade desejada 2a. Inserir corretamente a ficha no termóstato ambiente 2b. Verificar que a temperatura definida no termóstato ambiente seja superior à temperatura externa 2c. Verificar a correta inserção do capuz da tomada termóstato 3a. Inserir corretamente a ficha na alimentação elétrica 3b. Verificar o correto funcionamento da sua instalação elétrica 3c. Consultar o centro de assistência 4a. Restabelecer o aquecedor 4b. Consultar o centro de assistência
O motor não funciona	1. Motor avariado 2. Ventoinha bloqueada	1. Consultar o centro de assistência 2a. Remover as obstruções 2b. Consultar o centro de assistência
O aquecedor não aquece	1. Seletor de potência na posição “VENTILAÇÃO” 2. Aparelhagem interna avariada	1. Posicionar o seletor de potência em “AQUECIMENTO” 2. Consultar o centro de assistência
Fluxo de ar reduzido	1. Tomada de ar obstruída 2. Motor avariado	1a. Remover as obstruções 1b. Consultar o centro de assistência 2. Consultar o centro de assistência

►► 1. INFORMATIONER VEDRØRENDE SIKKERHEDEN

(Fig. 1)

Denne serie af varmluftsapparater er især velegnet til at opnå og opretholde høje temperaturer (~ 60°C / 140°F) i passende lukkede, isolerede og korrekt dimensionerede miljøer. Disse varmelegemer er i overensstemmelse med det gældende europæiske direktiv.

VIGTIGT: Læs og forstå denne betjeningsvejledning før montering, idriftsættelse eller vedligehold af dette varmeapparat. Forkert brug af varmeapparatet kan forårsage alvorlig personskade. Opbevar denne vejledning til fremtidig reference.

VIGTIGT: Apparatet bør ikke anvendes af personer (inkl. børn) med nedsatte fysiske, sensoriske og mentale evner eller af uerfarne personer, medmindre de bliver overvåget af en person, der er ansvarlig for deres sikkerhed. Børn skal overvåges for at sikre, at de ikke leger med apparatet.

VIGTIGT: Alle rengørings-, vedligeholdelses- og reparationsindgreb, der giver adgang til farlige dele (som udskiftning af et beskadiget strømforsyningskabel), skal udføres af fabrikanten, dennes teknisk assistanceservice eller af en tilsvarende kvalificeret person for at forebygge enhver risiko, selvom strømforsyningen afbrydes.

VIGTIGT: Under brugen af varmeapparatet skal alle lokale vedtægter og gældende lovgivning følges.

VIGTIGT: Dette varmeapparat kan nå meget høje temperaturer. For at undgå alvorlige skader er det vigtigt at anvende varmeapparatet sikkert og være meget opmærksom på, at der ikke findes materialer, genstande osv., der er følsomme over for høje temperaturer i omgivelserne omkring apparatet (~ 60°C / 140°F).

► 1.1. Et varmeapparat, der anvendes i nærheden af presenninger, telte eller lignende afdækningsmaterialer skal placeres i sikker afstand fra disse.

► 1.2. Hold varmeapparatet på sikker afstand fra fugt, vand og atmosfæriske stoffer for at undgå alvorlige skader på varmeapparatet.

► 1.3. Oprethold tilstrækkelig afstand til brændbare materialer eller varmelabile materialer (herunder det strømførende kabel) fra de varme dele af varmeapparatet.

► 1.4. Apparatet må aldrig flyttes, håndteres eller vedligeholdes på nogen måde, når det er tilsluttet el-nettet eller er i drift.

► 1.5. Når varmeapparatet er varmt eller i funktion skal det placeres på et fast, plant underlag, for at undgå risikoen for brand.

► 1.6. Hold dyr på sikker afstand af varmeapparatet.

► 1.7. Varmeapparatet må kun få strøm fra en strømkilde med den spænding og frekvens der er angivet på varmeapparatets mærkeplade.

► 1.8. Vær opmærksom på kun at tilslutte varmeapparatet til et elektrisk net der er ordentligt udstyret med HPFI-afbryder og jordforbindelse.

► 1.9. Hvis strømkablet forekommer beskadiget, skal det udskiftes af servicecenteret for at forebygge enhver risiko.

► 1.10. Apparatet fjernes fra stikkontakten, når det ikke er i brug.

► 1.11. Hvis varmeapparatet efterlades midlertidigt under usikre forhold, skal brugeren sørge for at det ikke

kan anvendes og stikket skal under alle omstændigheder altid tages ud af stikkontakten.

► 1.12. Luftindtaget eller luftudtaget på varmeapparatet må ikke blokeres, også kun delvist. Varmeapparatet har en meget kraftig blæser. Under brugen skal det omgivende miljø være rent og fri for genstande, der kan blive suget ind i blæseren.

► 1.13. Luften fra varmeapparatet må ikke kanaliseres, hvis ikke med det oprindelige kanaliserings-kit (hvis et sådant findes).

► 1.14. Dæk ikke varmeapparatet til, det kan blive overophedet.

► 1.15. Sørg for kontrol fra det tekniske servicecenter, vedrørende varmeapparatets korrekte drift, mindst en gang om året og/eller efter behov.

PRODUCENTEN FRALÆGGER SIG ETHVERT ANSVAR FOR SKADER PÅ TING OG/ELLER PERSONER, FORÅRSAGET AF FORKERT BRUG AF VARMEAPPARATET.

KUN UDDANNET OG AF PRODUCENTEN AUTORIZERET PERSONALE, MÅ UDFØRE ARBEJDER PÅ VARMEAPPARATET.

►► 2. UDPAKNING

ADVARSEL: Emballagen er ikke legetøj for børn. Hold plastikposen uden for børns rækkevidde; risiko for kvælning!

► 2.1. Al emballage, der anvendes til at emballere og sende varmeapparatet fjernes og bortskaffes i henhold til gældende normer.

► 2.2. Fjern alle genstande fra emballagen.

► 2.3. Kontroller for eventuelle skader forårsaget under transporten. Hvis apparatet er beskadiget skal forhandleren, hvor apparatet er købt, straks informeres.

►► 3. SAMLING

Nogle modeller kan være udstyret med hjul, håndtag, fødder og strømførende ledning. De mekaniske komponenter, sammen med de relevante monteringsbeslag/dele er placeret i emballagen sammen med varmeapparatet og skal samles før apparatet tændes.

►► 4. KONTROLPANEL

(Fig. 2)

A. Vælger, effektniveau;

B. Lampe, strøm på apparatet;

C. Lampe, maskine blokeret,

D. Knap, rumtermostat;

E. Tast for "RESET".

►► 5. BRUG

ADVARSEL: For at kunne anvende apparatet korrekt og undgå risici, bør "INFORMATIONER VEDRØRENDE SIKKERHED" læses forstås og følges inden varmeapparatet tages i brug.

ADVARSEL: Kontroller at strømkablet er i perfekt stand og at de elektriske egenskaber for forsyningsnettet svarer til dem der er angivet på varmeapparatets mærkeplade.

ADVARSEL: Anvend aldrig varmeapparatet uden først korrekt at have samlet alle apparatets komponenter og have placeret varmeapparatet på en helt plan og stabil overflade.

►► 5.1. TÆNDING:

► 5.1.1. Sæt stikket i stikkontakten (Fig. 3).

► 5.1.2. Tilslut rumtermostaten til varmeapparatet (Fig. 4) (Uden den tilsluttede rumtermostat fungerer varmeapparatet ved maksimal opvarmningseffekt).

► 5.1.3. Placer vælgeren for effektniveau til den ønskede tilstand (A Fig. 2). Følgende indstillinger er mulige:

• Ved at indstille vælgeren for effektniveau på "VENTILATOR" vil varmeapparatet udelukkende fungere som ventilator.

• Ved at indstille vælgeren for effektniveau på "OPVARMNING" vil varmeapparatet fungere ved maksimal varmeeffekt.

ADVARSEL: EN RÆKKE SENSORER, KONTROLLERER VARMEAPPARATETS FUNKTIONER OG BLOKERER ENHEDEN I TILFÆLDE AF ALVORLIGE PROBLEMER. GENSTART AF VARMEAPPARATET ER IKKE AUTOMATISK, MEN SKAL FORETAGES MANUELT. VENT TIL VARMEAPPARATET ER HELT NEDKØLET OG FJERN DEN MULIGE ÅRSAG DER HAR FORÅRSAGET BLOKERINGEN AF ENHEDEN (ES. SPÆRRING AF LUFTTILFØRSEL, UTILSTRÆKKELIG LUFTTILFØRSEL OSV.) TRYK HEREFTER KNAPPEN "RESET" HELT I BUND (Fig. 5) OG KONTROLLER AT "LAMPEN VARMEAPPARAT BLOKERET (C Fig. 2)" SLUKKER. HVIS VARMEAPPARATET IKKE TÆNDER EFTER GENTAGNE FORSØG TAGES KONTAKT TIL TEKNISK SERVICECENTER.

►► 5.2. SLUKNING:

► 5.2.1. Ved at indstille vælgeren for effektniveau på positionen "OFF/0" (A Fig. 2) og lade ventilatoren køre indtil varmeapparatet er helt slukket.

► 5.2.2. Frakobl varmeapparatet til strømforsyningen.

ADVARSEL: FOR AT UNDGÅ ALVORLIGE SKADER, MÅ STIKKET FØRST FJERNES FRA STRØMFORSYNINGEN NÅR VARMEAPPARATETS VENTILATOR ER HELT SLUKKET.

►► 6. OPBEVARING

Fjern varmeapparatets stik fra strømforsyningen (Fig. 10), når apparatet ikke længere anvendes og vent nogle minutter indtil apparatet er helt kølet ned, inden det stilles væk. Opbevar varmeapparatet tørt og beskyttet mod støv. Når varmeapparatet igen skal anvendes skal det strømførende kabel kontrolleres. Hvis der er tvivl om kablets tilstand tages kontakt til teknisk servicecenter. Under alle omstændigheder bør der tages kontakt til teknisk assistance, for et kontrol eftersyn af varmeapparatet, mindst en gang om året og/eller efter behov.

►► 7. TILSLUTNING EKSTERN RUMTERMOSTAT

Fjern proppen på varmeapparat og tilslut den eksterne rumtermostat (Fig. 4).

ADVARSEL: FOR KORREKT BETJENING SKAL VARMEAPPARATET ENTEN VÆRE MONTERET MED DÆKSLÆT, ELLER VÆRE TILSLUTTET DEN EKSTERNE RUMTERMOSTAT, I MODSAT FALD VIL VARMEAPPARATET IKKE TÆNDE.

►► 8. IDENTIFIKATION AF PROBLEM

PROBLEM	MULIG ÅRSAG	MULIG LØSNING
Varmeapparatet fungerer ikke	1. Vælgeren for effektniveau i positionen "0/OFF" 2. Forkert forbindelsen eller indstilling af rumtermostat 3. Ingen strømtilførsel 4. Varmeapparatet er blokeret	1. Placer vælgeren for effektniveauet på den ønskede tilstand 2a. Sæt stikket til rumtermostaten korrekt i 2b. Kontroller at temperaturen indstillet på rumtermostaten er højere end den omgivende rumtemperatur 2c. Kontroller at hættten til stikket på termostaten er korrekt på plads 3a. Sæt stikket korrekt i strømforsyningen 3b. Kontroller at det elektriske system hvor apparatet tilsluttes fungerer korrekt 3c. Kontakt servicecenteret 4a. Genstart varmeapparatet 4b. Kontakt servicecenteret
Motoren virker ikke	1. Motor i stykker 2. Ventilatoren er blokeret	1. Kontakt servicecenteret 2a. Fjern forhindringerne 2b. Kontakt servicecenteret
Varmelegemet bliver ikke varmt	1. Vælgeren for effektniveau i positionen "VENTILATION" 2. Indvendigt udstyr i stykker	1. Placer vælgeren for effektniveauet på "OPVARMNING" 2. Kontakt servicecenteret
Ringe lufttilførsel	1. Luftindtag spærret 2. Motor i stykker	1a. Fjern forhindringerne 1b. Kontakt servicecenteret 2. Kontakt servicecenteret

►►1. TIETOA TURVALLISUUDESTA

(Kuva 1)

Tämä kuumailmalämmittimien sarja soveltuu erityisesti korkeiden lämpötilojen (~ 60°C / 140°F) saavuttamiseen ja ylläpitämiseen sopivasti eristetyissä ja kokoisissa sisätiloissa. Nämä lämmityslaitteet ovat voimassa olevien EU-direktiivien mukaisia.

TÄRKEÄÄ: Lue ja ymmärrä tässä käyttöoppaassa annetut ohjeet ennen tämän generaattorin kokoamista, käyttöönottoa tai huoltoa. Generaattorin väärä käyttö voi aiheuttaa vakavia henkilövahinkoja. Säilytä tätä käyttöohjetta tulevaa tarvetta varten.

TÄRKEÄÄ: Tätä lämmityslaitetta ei saa antaa käyttöön henkilöille, joilla on fyysisiä, aistinvaraisia tai psyykkisiä rajoitteita (lapset mukaan lukien) tai henkilöille, joilla ei ole käyttöön liittyvää kokemusta, ellei heidän toimintaansa valvo heidän turvallisuudestaan vastaavat henkilöt. Lapsia on valvottava, jotta varmistetaan että he eivät leiki lämmityslaitteella.

TÄRKEÄÄ: Kaikki puhdistus-, huolto- ja korjaustoimenpiteet, jotka on suoritettava vaarallisissa paikoissa (kuten esimerkiksi vahingoittuneen virtajohdon vaihto) tulee suorittaa valmistajan, tämän teknisen huollon tai samankaltaisen koulutuksen omaavan henkilön toimesta, jotta kaikki riskit voitaisiin ennaltaehkäistä, vaikka virta olisikin kytketty pois päältä.

TÄRKEÄÄ: Lämmittimen käytön aikana noudata kaikkia paikallisia määräyksiä ja voimassa olevaa lainsäädäntöä.

TÄRKEÄÄ: Tämä lämmityslaite voi saavuttaa korkeita lämpötiloja. Vakavien vaurioiden välttämiseksi lämmityslaitetta on käytettävä turvallisesti, varmistamalla erityisesti, että tiloissa ei ole materiaaleja, esineitä jne., jotka ovat herkkiä korkeille lämpötiloille (~ 60°C / 140°F).

►1.1. Lämmitin, jota käytetään kankaiden, verhojen tai muiden samantyyppisten peitteiden läheisyydessä, on sijoitettava riittävälle turvaetäisyydelle.

►1.2. Säilytä lämmitintä turvaetäisyydellä kosteista paikoista, vedestä ja ilmastovaikutuksilta välttääksesi lämmittimen vakavat vauriot.

►1.3. Säilytä riittävä etäisyys lämmityslaitteen kuumien osien ja tulenarkojen tai lämpöherkkien materiaalien välillä.

►1.4. Kun lämmityslaite on kuuma, sähköverkkoon kytketty tai käynnissä, sitä ei saa koskaan siirtää, käsitellä, tai huoltaa miltään osin.

►1.5. Aseta kuuma, käynnissä oleva lämmityslaite vakaalle ja tasaiselle pinnalle tulipalovaaran välttämiseksi.

►1.6. Pidä eläimet turvaetäisyydellä lämmittimestä.

►1.7. Syötä lämmityslaitetta yksinomaan sen tunnistekilvessä merkityllä sähköjännitteellä ja -taajuudella.

►1.8. Varmista, että kytket lämmittimen vain sähköverkkoihin, jotka on varustettu asianmukaisella vika- virtasuojakytkimellä ja sopivalla maadoituksella.

►1.9. Jos virtajohto vahingoittuu, vaihdata se uuteen teknisessä huollossa, jotta riskeiltä vältyttäisiin.

►1.10. Kytke lämmityslaite irti verkkopistokkeesta, kun sitä ei käytetä.

►1.11. Jos lämmityslaite jätetään väliaikaisesti turvattomiin olosuhteisiin, varmista ettei sitä pystytä käyttämään ja kytke se aina irti verkkopistokkeesta.

►1.12. Älä koskaan tuki, edes osittain, lämmityslaitteen ilmanottoaukkoa äläkä ilmanpoistoaukkoa. Lämmityslaitteessa on erittäin tehokas puhallin. Käytön aikana ympäröivän alueen on oltava puhdas ja vapaa esineistä, jotka voivat imeytyä sisään.

►1.13. Vältä johtamasta ilmaa muilla kuin alkuperäisillä varustesarjoilla (jos olemassa).

►1.14. Älä peitä lämmityslaitetta, se voi ylikuumentua.

►1.15. Tarkistuta lämmittimen oikea toiminta teknisessä huollossa vähintään kerran vuodessa ja/tai tarpeen mukaan.

VALMISTAJA EI VASTAA HENKILÖ- JA/TAI OMAISUUSVAHINGOISTA, JOTKA JOHTUVAT LÄMMITTIMEN VÄÄRÄSTÄ KÄYTÖSTÄ.

AINOASTAAN VALMISTAJAN PÄTEVÄ JA VALTUUTETTU HENKILÖKUNTA SAA TEHDÄ KORJAUKSIA LÄMMITYSLAITTEELLE.

►►2. PAKKAUKSEN PURKAMINEN

VAROITUS: Pakkausmateriaali ei ole lasten leikkikalua. Pidä muovipussi kaukana lapsista; tukehtumisvaara!

►2.1. Ota kaikki lämmittimen pakkaamisessa ja läheisyydessä käytetyt pakkausmateriaalit pois ja hävitä ne voimassa olevien määräysten mukaan.

►2.2. Ota kaikki osat pois pakkauksesta.

►2.3. Tarkista mahdolliset kuljetuksen aikana syntyneet vauriot. Jos lämmityslaite näyttää vahingoittuneelta, ilmoita siitä välittömästi liikkeeseen, josta se hankittiin.

►►3. KOKOONPANO

Jotkut mallit saattavat olla varustettuja pyörillä, kahvoilla, kannattimilla ja virtajohdolla. Mekaaniset osat on sijoitettu vastaavien asennusruuviin kanssa lämmityslaitteen pakkaukseen ja ne on asennettava ennen käyttöä.

►►4. OHJAUSPANEELI

(Kuva 2)

A. Tehon valitsin;

B. Virran merkkivalo;

C. Koneen lukituksen merkkivalo;

D. Huonetermostaatin pistoke;

E. "RESET" painike.

►►5. TOIMINTA

VAROITUS: Käyttääksesi laitetta oikein ja riskien välttämiseksi, ennen lämmittimen käyttöönottoa lue, ymmärrä ja noudata "TURVALLISUUSTIEDOT" luvussa annettuja ohjeita.

VAROITUS: Tarkista että virtajohto on täysin ehjä, ja että verkon sähköominaisuudet vastaavat lämmittimen teknisten tietojen kyltissä annettuja tietoja.

VAROITUS: Älä käytä lämmityslaitetta koskaan ennen kuin olet asentanut kaikki sen osat oikein paikalleen ja varmistanut, että lämmitin on sijoitettu täysin tasaiselle, vakaalle ja vaakasuoralle pinnalle.

►► 5.1. KÄYNNISTYS:

► 5.1.1. Yhdistä lämmittimen virransyöttöjohto sähköverkkoon (Kuva 3).

► 5.1.2. Kytke huonetermostaatti lämmityslaitteeseen (Kuva 4) (Ilman liitettyä huonetermostaattia lämmityslaitteeseen toimii lämmityksen maksimiteholla).

► 5.1.3. Aseta tehon valitsin haluttuun tilaan (A Kuva 2).

Seuraavat asetukset ovat mahdollisia:

• Asettamalla tehon valitsin tilaan "TUULETUS" lämmityslaitteeseen työskentelee ainoastaan tuuletustilassa.

• Asettamalla tehon valitsin tilaan "LÄMMITYS" lämmityslaitteeseen työskentelee suurimmalla lämmitysteholla.

HUOMIO: SARJA SENSOREITA TARKISTAA LÄMMITYSLAITTEEN OIKEAN TOIMINNAN, LUKITSEMALLA LAITTEEN VAKAVAN VIAN TAPAUKSESSA. LÄMMITYSLAITTEEN NOLLAUS EI TAPAHDU AUTOMAATTISESTI, VAAN SE ON TEHTÄVÄ MANUAALISESTI. ODOTA LÄMMITYSLAITTEEN TÄYDELLISTÄ JÄÄHTYMISTÄ, POISTA MAHDOLLINEN LÄMMITTIMEN LUKITTUMISEEN JOHTANUT SYY (ESIM. ILMANOTTOAUKON TUKOS, RIITTÄMÄTÖN ILMAVIRTAUS, JNE.) JA PAINA "RESET" PAINIKE POHJAAN (Kuva 5) VARMISTAMALLA, ETTÄ "LUKITUN LÄMMITYSLAITTEEN MERKKIVALO (C Kuva 2)" SAMMUU. JOS JOIDENKIN NOLLAUSYRITYSTEN JÄLKEEN LAITE EI TOIMI, OTA YHTEYTTÄ TEKNIISEEN HUOLTOON.

►► 5.2. SAMMUTUS:

► 5.2.1. Vie tehon valitsin asentoon "0/OFF" (A Kuva 2) ja jätä puhallin päälle, lämmityslaitteen täydelliseen sammumiseen saakka.

► 5.2.2. Irrota lämmityslaitteeseen sähköverkosta.

HUOMIO: VÄLTÄ IRROTTAMASTA LÄMMITYSLAITTEESTA SÄHKÖVERKOSTA ENNEN PUHALTIMEN TÄYDELLISTÄ PYSÄHTYMISTÄ, VAKAVIEN VAURIOIDEN VÄLTTÄMISEKSI.

►► 6. SÄILYTYS

Irrota lämmityslaitteeseen aina sähköverkosta (Kuva 10), kun sitä ei käytetä ja ennen sen säilömistä, odota joitakin minuutteja kunnes se on täysin jäähtynyt. Sijoita se kuivaan ja pölyltä suojattuun tilaan. Kun lämmityslaitteeseen palautetaan käyttöön, tarkista virtajohtojen kunto; jos sen kuntoon liittyy epäilyksiä, käänny teknisen huollon puoleen. Joka tapauksessa tarkistuta lämmityslaitteen toiminta teknisessä huollossa vähintään kerran vuodessa ja/tai tarpeen mukaan.

►► 7. ULKOISEN HUONETERMOSTAATTIN LIITTÄMINEN

Poista lämmityslaitteeseen oleva korkki ja liitä siihen ulkoinen huonetermostaatti (Kuva 4).

HUOMIO: TOIMIAKSEEN OIKEIN LÄMMITYSLAITTEeseen ON KYTKETTÄVÄ JOKO KORKKISUOJUS, TAI ULKOINEN HUONETERMOSTAATTI, MUUTEN LÄMMITYSLAITE EI KÄYNNISTY.

►► 8. VIANMÄÄRITYS

ONGELMA	MAHDOLLINEN SYY	MAHDOLLINEN RATKAISU
Lämmitin ei toimi	1. Tehon valitsin asennossa "0/OFF" 2. Huonetermostaatin väärä liitäntä tai asetukset 3. Virta puuttuu 4. Lämmityslaitteeseen lukittu	1. Aseta tehon valitsin haluttuun tilaan 2a. Kytke huonetermostaatin virtajohto oikein paikalleen 2b. Varmista että huonetermostaattiin asetettu lämpötila on yli ulkoisen lämpötilan 2c. Tarkista, että termostaatin pistorasian korkki on oikein paikallaan 3a. Aseta virtajohto oikein sähkön virtalähteeseen 3b. Tarkista sähköjärjestelmäsi toiminta 3c. Käänny teknisen huollon puoleen 4a. Nollaa lämmityslaitteeseen 4b. Käänny teknisen huollon puoleen
Moottori ei toimi	1. Moottori vioittunut 2. Puhallin jumissa	1. Käänny teknisen huollon puoleen 2a. Poista tukokset 2b. Käänny teknisen huollon puoleen
Lämmityslaitteeseen ei lämmitä	1. Tehon valitsin asennossa "TUULETUS" 2. Sisäinen laitteisto viollinen	1. Aseta tehon valitsin tilaan "LÄMMITYS" 2. Käänny teknisen huollon puoleen
Vähäinen ilmanvirtaus	1. Ilmanottoaukko tukossa 2. Moottori vioittunut	1a. Poista tukokset 1b. Käänny teknisen huollon puoleen 2. Käänny teknisen huollon puoleen

►► 1. SIKKERHETSINFORMASJON

(Fig. 1)

Denne serien av varmlufts varmeapparater er spesielt egnet for å oppnå og opprettholde høye temperaturer (~ 60 °C / 140 °F) i lukkede omgivelser som er riktig isolert og dimensjonert. Disse varmeapparatene er i samsvar med gjeldene EU-direktiv.

VIKTIG: Les og forstå denne manualen før du utfører montering, igangsetting eller vedlikehold av dette varmeapparatet. Feil bruk av varmeapparatet kan føre til alvorlige skader. Ta vare på denne manualen for fremtidig bruk.

VIKTIG: Dette apparatet er ikke egnet for bruk av personer (inkludert barn) med redusert fysisk-, sanselig- eller mental kapasitet, eller uerfarne, med mindre de blir overvåket av en person som er ansvarlig for deres sikkerhet. Barn må holdes under oppsyn for å sikre at de ikke leker med apparatet.

VIKTIG: Rengjøring, vedlikehold og reparasjon som krever tilgang til farlige deler (som bytte av skadet strømledning) må utføres av produsenten, teknisk service eller en kvalifisert person slik at man unngår en hver form for risiko. Dette gjelder også selv om apparatet skal kobles fra strømforsyningen.

VIKTIG: Ved bruk av varmeapparatet må du følge alle lokale forskrifter og gjeldende regelverk.

VIKTIG: Dette varmeapparatet kan nå høye temperaturer. For å unngå alvorlige skader er det viktig at varmeapparatet brukes på en sikker måte og ved å passe på at det ikke finnes materialer, gjenstander osv. i omgivelsene som er følsomme for høye temperaturer (~ 60°C / 140°F).

►1.1. Varmeapparat brukt i nærheten av gardiner eller andre draperier, skal holdes på sikkerhetsavstand fra disse.

►1.2. Sørg for at varmeapparatet er i sikker avstand fra fukt, vann eller klimapåvirkning for å unngå alvorlige skader på apparatet.

►1.3. Oppretthold en passende avstand fra brennbart eller varmelabilt materiale (inkludert strømledningen) fra de varme delene av apparatet.

►1.4. Når varmeapparatet er varmt, eller koblet til elektrisk strøm eller er i funksjon, må det aldri flyttes, håndteres, eller utføres vedlikehold på.

►1.5. Sett varmeapparatet på en jevn og stabil overflate når den er varm eller i bruk for å unngå brannfare.

►1.6. Hold dyr på sikker avstand fra varmeapparatet.

►1.7. Til varmeapparatet må det kun brukes strøm med spenning og frekvens som angitt på merkeskiltet.

►1.8. Forsikre seg om at apparatet kun kobles til strømnnett utstyrt med jordfeilbryter og som er skikkelig jordet.

►1.9. Hvis strømledningen er skadet må den, for å unngå enhver risiko, byttes ut av teknisk service.

►1.10. Koble fra stikkontakten på varmeapparatet når det ikke er i bruk.

►1.11. Dersom varmeapparatet midlertidig plasseres hvor det er usikre forhold, sørg for at det ikke kan tas i bruk og koble det alltid fra strømuttaket.

►1.12. Blokker aldri (også delvis), hverken luftinntaket eller luftuttaket av varmeapparatet. Varmeapparatet har en veldig kraftig vifte, så under bruk må omgivelsene være rene og fritt for gjenstander som kan suges inn.

►1.13. Unngå å styre luft som kommer inn og/eller ut dersom dette ikke kan gjøres med originalt utstyrsett (der dette finnes).

►1.14. Ikke dekk til varmeapparatet når dette er i bruk, det kan overopphetes.

►1.15. La teknisk service utføre en funksjonskontroll av apparatet minst en gang i året eller etter behov.

PRODUSENTEN FRASKRIVER SEG ALT ANSVAR FOR SKADER PÅ TING OG/ELLER PERSONER SOM OPPSTÅR PÅ GRUNN AV FEIL BRUK AV APPARATET.

KUN PERSONALE SOM ER KVALIFISERT OG AUTORISERT AV PRODUSENTEN KAN UTFØRE ARBEID PÅ VARMEAPPARATET.

►► 2. UTPAKKING

ADVARSEL: Materialet fra emballasjen er ikke et leketøy for barn. Hold plastposen utilgjengelig for barn; fare for kvelning!

►2.1. Fjern all emballasje som brukes til å pakke og sende varmeapparatet og kast dette iht. gjeldende forskrifter.

►2.2. Ta alle artiklene ut av emballasjen.

►2.3. Kontroller eventuelle skader som er påført under transporten. Dersom varmeapparatet er skadet, må dette umiddelbart meldes fra til forhandleren der det ble kjøpt.

►► 3. MONTERING

Noen modeller kan være utstyrt med hjul, håndtak, støtter og strømledning. Mekaniske komponenter, inkludert tilhørende monteringsutstyr, ligger i varmeapparatets emballasje og må monteres før apparatet settes i drift.

►► 4. KONTROLLPANEL

(Fig. 2)

A. Effektbryter;

B. Varsellampe spenning;

C. Varsellampe maskin blokkert;

D. Kontakt miljøtermostat;

E. "RESET-knapp".

►► 5. DRIFT

ADVARSEL: For en korrekt bruk og for å unngå risiko, må du lese, forstå og følge "SIKKERHETSINFORMASJON", før varmeapparatet settes i drift.

ADVARSEL: Verifiser at strømledningen er hel og at nettets strømegenskaper er iht. det som er angitt på varmeapparatets merkeskilt.

ADVARSEL: Bruk aldri varmeapparatet uten først ha montert alle komponentene korrekt og forsikret seg om at apparatet er plassert på et flatt, stabilt og jevnt underlag.

►► 5.1. SLÅ PÅ:

- 5.1.1. Koble støpselet til strømforsyningen (Fig. 3).
- 5.1.2. Koble romtermostaten til varmeapparatet (Fig. 4) (Varmeapparat uten romtermostat tilkoblet vil fungere med maksimal varmeeffekt).
- 5.1.3. Vri effektbryteren til ønsket modus (A Fig. 2). Følgende innstillinger er mulige:
 - Ved å sette effektbryteren på "VIFTE" vil varmeapparatet fungere kun i viftmodus.
 - Ved å sette effektbryteren på "OPPVARMING" vil varmeapparatet fungere med maksimal effekt.

VÆR OPPMERKSOM: EN REKKE SENSORER, SJEKKER RIKTIG BRUK AV VARMEAPPARATET OG STOPPER DET I TILFELLE ALVORLIG UREGELMESSIGHET. GJENOPPRETTING AV VARMEAPPARATET ER IKKE AUTOMATISK MEN MÅ UTFØRES MANUELT. VENT TIL VARMEAPPARATET ER FULLSTENDIG AVKJØLT, FJERN MULIG ÅRSAK TIL STOPP AV VARMEAPPARATET (EKS. TILSTOPPING AV LUFTINNTAK, FOR LITE LUFTTILFØRSEL, OSV.) OG TRYKK "RESET" KNAPPEN HELT INN (Fig. 5), VED Å KONTROLLERE AT "VARSPELLYS FOR VARMEAPPARAT ER SPERRET (C Fig. 2)" SLUKKES. HVIS VARMEAPPARATET IKKE FUNGERER ETTER NOEN GJENOPPRETTINGSFORSØK, KONTAKT TEKNISK SERVICE.

►► 5.2. SLÅ AV:

- 5.2.1. Sett effektbryteren i posisjon "0/OFF" (A Fig. 2) og la viften fungere inntil varmeapparatet slår seg helt av.
- 5.2.2. Koble varmeapparatet fra strømmettet.

VÆR OPPMERKSOM: IKKE KOBLE VARMEAPPARATET FRA STRØMNETTET FØR VIFTEN HAR STOPPET. DETTE FOR Å UNNGÅ ALVORLIGE SKADER.

►► 6. LAGRING

Varmeapparatet må alltid kobles fra strømmettet (Fig. 10), når det ikke er i bruk og før det settes vekk. Vent noen minutter til det er helt avkjølt. Sett det i et rom som er tørt og støvfritt. Når varmeapparatet tas i bruk igjen, kontroller strømledningens vedlikehold; hvis du er i tvil angående dens tilstand kontakt teknisk service. La teknisk service utføre en funksjonskontroll av apparatet minst en gang i året eller etter behov.

►► 7. TILKOBLING AV EKSTERN ROMTERMOSTAT

Fjern pluggen som er festet til varmeapparatet og koble til den eksterne romtermostaten (Fig. 4).

VÆR OPPMERKSOM: FOR KORREKT FUNKSJON MÅ VARMEAPPARATET HA TILKOBLET ENTEN BESKYTTELSESHETTEN, ELLER EKSTERN ROMTERMOSTAT ELLERS VIL IKKE VARMEAPPARATET STARTE.

►► 8. PROBLEMIDENTIFISERING

PROBLEM	MULIG ÅRSAK	MULIG TILTAK
Varmeapparatet fungerer ikke	1. Effektbryter i posisjon "0/OFF" 2. Feil tilkobling eller innstilling av romtermostat 3. Mangel på strøm 4. Varmeapparat er sperret	1. Vri effektbryteren til ønsket modus 2a. Sett i romtermostatens støpselet korrekt 2b. Kontroller at innstilt temperatur på romtermostaten er høyere enn den eksterne temperaturen 2c. Kontroller at beskyttelseshetten er riktig satt på termostatkontakten 3a. Sett støpselet korrekt i stikkkontakten 3b. Kontroller at det elektriske anlegget fungerer som det skal 3c. Kontakt servicesenter 4a. Tilbakestill varmeapparatet 4b. Kontakt servicesenter
Motoren virker ikke	1. Motorfeil 2. Viften er sperret	1. Kontakt servicesenter 2a. Fjern tilstoppinger 2b. Kontakt servicesenter
Varmeapparatet varmer ikke	1. Effektbryter i posisjon "VIFTE" 2. Noe er feil inni apparatet	1. Sett effektbryteren på "OPPVARMING" 2. Kontakt servicesenter
Redusert luftstøm	1. Luftinntaket er tilstoppet 2. Motorfeil	1a. Fjern tilstoppinger 1b. Kontakt servicesenter 2. Kontakt servicesenter

►► 1. SÄKERHETSINFORMATION

(Fig. 1)

Denna serie av varmluftsvärmare är speciellt lämplig för att uppnå och bibehålla höga temperaturer (~60°C / 140°F) i stängda miljöer som är korrekt isolerade och dimensionerade. Dessa värmare är förenliga med gällande europeiska direktiv.

VIKTIGT: Se till att ni har läst igenom och förstått denna bruksanvisning innan ni utför montering, driftsättning eller underhåll av denna värmare. En felaktig användning av värmaren kan leda till allvarliga personskador. Förvara denna manual som framtida referensmaterial.

VIKTIGT: Denna värmare lämpar sig inte för att användas av personer (inklusive barn) eller personer med begränsad fysisk, sensorisk och mental förmåga eller av oerfarna personer. Ett undantag är om personerna i fråga övervakas av en vuxen person som då är ansvarig för deras säkerhet. Om barn vistas i närheten ska de övervakas så att man är säker på att de inte leker med värmaren.

VIKTIGT: Alla rengörings-, underhålls- och reparationsmoment som förutser tillgång till farliga delar (t.ex. byte av skadad nätsladd) måste utföras av tillverkaren, genom teknisk support, av en person med liknande kompetens, för att undvika eventuella risker, även om ingreppen utförs med frånkopplad strömförsörjning.

VIKTIGT: Under användningen av värmaren ska man följa alla lokala förordningar och gällande föreskrifter.

VIKTIGT: Denna värmare kan nå höga temperaturer. För att undvika allvarliga skador är det viktigt att använda värmaren på ett säkert sätt och vara uppmärksam på att det inte finns några material, föremål o.s.v. som är känsliga för höga temperaturer (~60°C / 140°F) i miljön.

►1.1. Den värmare som används i närheten av pressningar, tält och andra liknande täckningsmaterial ska placeras på ett säkert avstånd från dessa.

►1.2. Håll värmaren på säkert avstånd från fukt, vatten och väder och vind för att undvika allvarliga skador på värmaren.

►1.3. Bibehåll ett säkert avstånd mellan brandfarliga eller värmelabla (inklusive matarkabeln) material och värmarens varma delar.

►1.4. När värmaren är varm, eller ansluten till elnätet, eller i drift, ska den aldrig flyttas, hanteras eller utsättas för underhåll.

►1.5. Placera den varma, eller fungerande, värmaren på en stabil och plan yta för att undvika brandrisk.

►1.6. Håll djur på ett säkert avstånd från värmaren.

►1.7. Mata endast värmaren med el med den spänning och frekvens som anges på värmarens märkskylt.

►1.8. Se till att ni bara ansluter värmaren till elnät som är korrekt utrustade med differentialbrytare och ett lämpligt jordningssystem.

►1.9. Om nätsladden är trasig måste den ersättas av ett teknisk servicecenter, för att undvika eventuella risker.

►1.10. Koppla bort värmaren från vägguttaget när den inte används.

►1.11. Om värmaren skulle lämnas tillfälligt under osäkra förhållanden ska ni se till så att den inte kan användas och koppla i vilket fall alltid bort den från vägguttaget.

►1.12. Hindra inte ens delvis värmarens luftintag eller luftutlopp. Värmaren har en mycket kraftfull fläkt så under användning måste den omgivande miljön vara ren och fri från föremål som kan sugas in.

►1.13. Undvik att kanalisera luften om ni inte använder originalkit (där detta förutses).

►1.14. Täck inte över värmaren, den skulle kunna överhettas.

►1.15. Låt den tekniska kundtjänsten kontrollera värmarens korrekta funktion minst en gång om året och/eller vid behov.

TILLVERKAREN AVSÄGER SIG ALLT ANSVAR VAD GÄLLER SAKSKADOR OCH/ELLER PERSONSKADOR SOM HAR UPPKOMMIT TILL FÖLJD AV EN FELAKTIG ANVÄNDNING AV VÄRMAREN.

ENDAST UTBILDAD PERSONAL SOM GODKÄNTS AV TILLVERKAREN KAN INGRIPA PÅ VÄRMAREN.

►► 2. UPPACKNING

WARNING: Förpackningsmaterialet är inte en leksak för barn. Håll plastpåsen utom räckhåll för barn. Risk för kvävning!

►2.1. Ta bort allt förpackningsmaterial som använts för att paketera och transportera värmaren och bortskafta enligt gällande föreskrifter.

►2.2. Plocka ur alla artiklar från förpackningen.

►2.3. Kontrollera eventuella skador som tillförts under transporten. Om värmaren verkar skadad ska ni omedelbart informera den återförsäljare från vilken den har köpts.

►► 3. MONTERING

Vissa modeller kan försees med hjul, handtag, stöd och matarkabel. De mekaniska komponenterna, kompletta med skruvar och muttrar för monteringen, befinner sig i värmarens förpackning och ska monteras före starten.

►► 4. KONTROLLPANEL

(Fig. 2)

A. Effektväljare;

B. Kontrollampa närvaro spänning;

C. Kontrollampa blockerad maskin;

D. Uttag för rumstermostat;

E. Knapp för "RESET".

►► 5. DRIFT

WARNING: För att använda den korrekt och för att undvika risker läs, förstå och följ "INFORMATION OM SÄKERHETEN" innan ni sätter värmaren i drift.

WARNING: Kontrollera att matarkabeln är helt intakt och att nätets elektriska egenskaper motsvarar det som anges på värmarens märkskylt med tekniska värden.

VARNING: Använd aldrig värmaren utan att först ha monterat alla komponenter korrekt och försäkra er om att värmaren är placerad på en helt plan, stabil och platt yta.

►► 5.1. PÅSLAGNING:

► 5.1.1. Anslut värmarens nätkontakt till elnätet (Fig. 3).
 ► 5.1.2. Anslut rumstermostaten till värmaren (Fig. 4) (Värmaren utan ansluten rumstermostat fungerar med maximal värmeeffekt).

► 5.1.3. Vrid effektväljaren till önskat funktionsläge (A Fig. 2). Följande inställningar är möjliga:

- Om ni placerar effektväljaren på "FLÄKT" kommer värmaren uteslutande att arbeta i ventilationsläge.
- Om ni placerar effektväljaren på "UPPVÄRMNING" kommer värmaren att arbeta med maximal värmeeffekt.

OBSERVERA: ETT ANTAL SENSORER KONTROLLERAR VÄRMARENS KORREKTA FUNKTION OCH BLOCKERAR APPARATEN VID ALLVARLIG AVVIKELSE. ÅTERSTÄLLNINGEN AV VÄRMAREN ÄR INTE AUTOMATISK UTAN MÅSTE UTFÖRAS MANUELLT. VÄNTA TILLS VÄRMAREN HAR SVALNAT HELT OCH AVLÄGSNA DEN MÖJLIGA ORSAKEN TILL BLOCKERINGEN AV VÄRMAREN (T.EX. TILLTÄPPNING AV LUFTINTAGET, OTILLRÄCKLIG LUFTTILLFÖRSEL OSV.) OCH TRYCK IN "RESET"-KNAPPEN ORDENTLIGT (Fig. 5), MEDAN NI KONTROLLERAR ATT "VÄRMARENS BLOCKERADE KONTROLLAMPA (C Fig. 2)" SLÄCKS. OM INTE VÄRMAREN SKULLE FUNGERA EFTER NÅGRA FÖRSÖK TILL ÅTERSTÄLLNING SKA NI KONTAKTA DEN TEKNISKA KUNDTJÄNSTEN.

OBSERVERA: ETT ANTAL SENSORER KONTROLLERAR VÄRMARENS KORREKTA FUNKTION OCH BLOCKERAR APPARATEN VID ALLVARLIG AVVIKELSE. ÅTERSTÄLLNINGEN AV VÄRMAREN ÄR INTE AUTOMATISK UTAN MÅSTE UTFÖRAS MANUELLT. VÄNTA TILLS VÄRMAREN HAR SVALNAT HELT OCH AVLÄGSNA DEN MÖJLIGA ORSAKEN TILL BLOCKERINGEN AV VÄRMAREN (T.EX. TILLTÄPPNING AV LUFTINTAGET, OTILLRÄCKLIG LUFTTILLFÖRSEL OSV.) OCH TRYCK IN "RESET"-KNAPPEN ORDENTLIGT (Fig. 5), MEDAN NI KONTROLLERAR ATT "VÄRMARENS BLOCKERADE KONTROLLAMPA (C Fig. 2)" SLÄCKS. OM INTE VÄRMAREN SKULLE FUNGERA EFTER NÅGRA FÖRSÖK TILL ÅTERSTÄLLNING SKA NI KONTAKTA DEN TEKNISKA KUNDTJÄNSTEN.

OBSERVERA: ETT ANTAL SENSORER KONTROLLERAR VÄRMARENS KORREKTA FUNKTION OCH BLOCKERAR APPARATEN VID ALLVARLIG AVVIKELSE. ÅTERSTÄLLNINGEN AV VÄRMAREN ÄR INTE AUTOMATISK UTAN MÅSTE UTFÖRAS MANUELLT. VÄNTA TILLS VÄRMAREN HAR SVALNAT HELT OCH AVLÄGSNA DEN MÖJLIGA ORSAKEN TILL BLOCKERINGEN AV VÄRMAREN (T.EX. TILLTÄPPNING AV LUFTINTAGET, OTILLRÄCKLIG LUFTTILLFÖRSEL OSV.) OCH TRYCK IN "RESET"-KNAPPEN ORDENTLIGT (Fig. 5), MEDAN NI KONTROLLERAR ATT "VÄRMARENS BLOCKERADE KONTROLLAMPA (C Fig. 2)" SLÄCKS. OM INTE VÄRMAREN SKULLE FUNGERA EFTER NÅGRA FÖRSÖK TILL ÅTERSTÄLLNING SKA NI KONTAKTA DEN TEKNISKA KUNDTJÄNSTEN.

OBSERVERA: ETT ANTAL SENSORER KONTROLLERAR VÄRMARENS KORREKTA FUNKTION OCH BLOCKERAR APPARATEN VID ALLVARLIG AVVIKELSE. ÅTERSTÄLLNINGEN AV VÄRMAREN ÄR INTE AUTOMATISK UTAN MÅSTE UTFÖRAS MANUELLT. VÄNTA TILLS VÄRMAREN HAR SVALNAT HELT OCH AVLÄGSNA DEN MÖJLIGA ORSAKEN TILL BLOCKERINGEN AV VÄRMAREN (T.EX. TILLTÄPPNING AV LUFTINTAGET, OTILLRÄCKLIG LUFTTILLFÖRSEL OSV.) OCH TRYCK IN "RESET"-KNAPPEN ORDENTLIGT (Fig. 5), MEDAN NI KONTROLLERAR ATT "VÄRMARENS BLOCKERADE KONTROLLAMPA (C Fig. 2)" SLÄCKS. OM INTE VÄRMAREN SKULLE FUNGERA EFTER NÅGRA FÖRSÖK TILL ÅTERSTÄLLNING SKA NI KONTAKTA DEN TEKNISKA KUNDTJÄNSTEN.

OBSERVERA: ETT ANTAL SENSORER KONTROLLERAR VÄRMARENS KORREKTA FUNKTION OCH BLOCKERAR APPARATEN VID ALLVARLIG AVVIKELSE. ÅTERSTÄLLNINGEN AV VÄRMAREN ÄR INTE AUTOMATISK UTAN MÅSTE UTFÖRAS MANUELLT. VÄNTA TILLS VÄRMAREN HAR SVALNAT HELT OCH AVLÄGSNA DEN MÖJLIGA ORSAKEN TILL BLOCKERINGEN AV VÄRMAREN (T.EX. TILLTÄPPNING AV LUFTINTAGET, OTILLRÄCKLIG LUFTTILLFÖRSEL OSV.) OCH TRYCK IN "RESET"-KNAPPEN ORDENTLIGT (Fig. 5), MEDAN NI KONTROLLERAR ATT "VÄRMARENS BLOCKERADE KONTROLLAMPA (C Fig. 2)" SLÄCKS. OM INTE VÄRMAREN SKULLE FUNGERA EFTER NÅGRA FÖRSÖK TILL ÅTERSTÄLLNING SKA NI KONTAKTA DEN TEKNISKA KUNDTJÄNSTEN.

OBSERVERA: ETT ANTAL SENSORER KONTROLLERAR VÄRMARENS KORREKTA FUNKTION OCH BLOCKERAR APPARATEN VID ALLVARLIG AVVIKELSE. ÅTERSTÄLLNINGEN AV VÄRMAREN ÄR INTE AUTOMATISK UTAN MÅSTE UTFÖRAS MANUELLT. VÄNTA TILLS VÄRMAREN HAR SVALNAT HELT OCH AVLÄGSNA DEN MÖJLIGA ORSAKEN TILL BLOCKERINGEN AV VÄRMAREN (T.EX. TILLTÄPPNING AV LUFTINTAGET, OTILLRÄCKLIG LUFTTILLFÖRSEL OSV.) OCH TRYCK IN "RESET"-KNAPPEN ORDENTLIGT (Fig. 5), MEDAN NI KONTROLLERAR ATT "VÄRMARENS BLOCKERADE KONTROLLAMPA (C Fig. 2)" SLÄCKS. OM INTE VÄRMAREN SKULLE FUNGERA EFTER NÅGRA FÖRSÖK TILL ÅTERSTÄLLNING SKA NI KONTAKTA DEN TEKNISKA KUNDTJÄNSTEN.

OBSERVERA: ETT ANTAL SENSORER KONTROLLERAR VÄRMARENS KORREKTA FUNKTION OCH BLOCKERAR APPARATEN VID ALLVARLIG AVVIKELSE. ÅTERSTÄLLNINGEN AV VÄRMAREN ÄR INTE AUTOMATISK UTAN MÅSTE UTFÖRAS MANUELLT. VÄNTA TILLS VÄRMAREN HAR SVALNAT HELT OCH AVLÄGSNA DEN MÖJLIGA ORSAKEN TILL BLOCKERINGEN AV VÄRMAREN (T.EX. TILLTÄPPNING AV LUFTINTAGET, OTILLRÄCKLIG LUFTTILLFÖRSEL OSV.) OCH TRYCK IN "RESET"-KNAPPEN ORDENTLIGT (Fig. 5), MEDAN NI KONTROLLERAR ATT "VÄRMARENS BLOCKERADE KONTROLLAMPA (C Fig. 2)" SLÄCKS. OM INTE VÄRMAREN SKULLE FUNGERA EFTER NÅGRA FÖRSÖK TILL ÅTERSTÄLLNING SKA NI KONTAKTA DEN TEKNISKA KUNDTJÄNSTEN.

OBSERVERA: ETT ANTAL SENSORER KONTROLLERAR VÄRMARENS KORREKTA FUNKTION OCH BLOCKERAR APPARATEN VID ALLVARLIG AVVIKELSE. ÅTERSTÄLLNINGEN AV VÄRMAREN ÄR INTE AUTOMATISK UTAN MÅSTE UTFÖRAS MANUELLT. VÄNTA TILLS VÄRMAREN HAR SVALNAT HELT OCH AVLÄGSNA DEN MÖJLIGA ORSAKEN TILL BLOCKERINGEN AV VÄRMAREN (T.EX. TILLTÄPPNING AV LUFTINTAGET, OTILLRÄCKLIG LUFTTILLFÖRSEL OSV.) OCH TRYCK IN "RESET"-KNAPPEN ORDENTLIGT (Fig. 5), MEDAN NI KONTROLLERAR ATT "VÄRMARENS BLOCKERADE KONTROLLAMPA (C Fig. 2)" SLÄCKS. OM INTE VÄRMAREN SKULLE FUNGERA EFTER NÅGRA FÖRSÖK TILL ÅTERSTÄLLNING SKA NI KONTAKTA DEN TEKNISKA KUNDTJÄNSTEN.

OBSERVERA: ETT ANTAL SENSORER KONTROLLERAR VÄRMARENS KORREKTA FUNKTION OCH BLOCKERAR APPARATEN VID ALLVARLIG AVVIKELSE. ÅTERSTÄLLNINGEN AV VÄRMAREN ÄR INTE AUTOMATISK UTAN MÅSTE UTFÖRAS MANUELLT. VÄNTA TILLS VÄRMAREN HAR SVALNAT HELT OCH AVLÄGSNA DEN MÖJLIGA ORSAKEN TILL BLOCKERINGEN AV VÄRMAREN (T.EX. TILLTÄPPNING AV LUFTINTAGET, OTILLRÄCKLIG LUFTTILLFÖRSEL OSV.) OCH TRYCK IN "RESET"-KNAPPEN ORDENTLIGT (Fig. 5), MEDAN NI KONTROLLERAR ATT "VÄRMARENS BLOCKERADE KONTROLLAMPA (C Fig. 2)" SLÄCKS. OM INTE VÄRMAREN SKULLE FUNGERA EFTER NÅGRA FÖRSÖK TILL ÅTERSTÄLLNING SKA NI KONTAKTA DEN TEKNISKA KUNDTJÄNSTEN.

OBSERVERA: ETT ANTAL SENSORER KONTROLLERAR VÄRMARENS KORREKTA FUNKTION OCH BLOCKERAR APPARATEN VID ALLVARLIG AVVIKELSE. ÅTERSTÄLLNINGEN AV VÄRMAREN ÄR INTE AUTOMATISK UTAN MÅSTE UTFÖRAS MANUELLT. VÄNTA TILLS VÄRMAREN HAR SVALNAT HELT OCH AVLÄGSNA DEN MÖJLIGA ORSAKEN TILL BLOCKERINGEN AV VÄRMAREN (T.EX. TILLTÄPPNING AV LUFTINTAGET, OTILLRÄCKLIG LUFTTILLFÖRSEL OSV.) OCH TRYCK IN "RESET"-KNAPPEN ORDENTLIGT (Fig. 5), MEDAN NI KONTROLLERAR ATT "VÄRMARENS BLOCKERADE KONTROLLAMPA (C Fig. 2)" SLÄCKS. OM INTE VÄRMAREN SKULLE FUNGERA EFTER NÅGRA FÖRSÖK TILL ÅTERSTÄLLNING SKA NI KONTAKTA DEN TEKNISKA KUNDTJÄNSTEN.

OBSERVERA: ETT ANTAL SENSORER KONTROLLERAR VÄRMARENS KORREKTA FUNKTION OCH BLOCKERAR APPARATEN VID ALLVARLIG AVVIKELSE. ÅTERSTÄLLNINGEN AV VÄRMAREN ÄR INTE AUTOMATISK UTAN MÅSTE UTFÖRAS MANUELLT. VÄNTA TILLS VÄRMAREN HAR SVALNAT HELT OCH AVLÄGSNA DEN MÖJLIGA ORSAKEN TILL BLOCKERINGEN AV VÄRMAREN (T.EX. TILLTÄPPNING AV LUFTINTAGET, OTILLRÄCKLIG LUFTTILLFÖRSEL OSV.) OCH TRYCK IN "RESET"-KNAPPEN ORDENTLIGT (Fig. 5), MEDAN NI KONTROLLERAR ATT "VÄRMARENS BLOCKERADE KONTROLLAMPA (C Fig. 2)" SLÄCKS. OM INTE VÄRMAREN SKULLE FUNGERA EFTER NÅGRA FÖRSÖK TILL ÅTERSTÄLLNING SKA NI KONTAKTA DEN TEKNISKA KUNDTJÄNSTEN.

OBSERVERA: ETT ANTAL SENSORER KONTROLLERAR VÄRMARENS KORREKTA FUNKTION OCH BLOCKERAR APPARATEN VID ALLVARLIG AVVIKELSE. ÅTERSTÄLLNINGEN AV VÄRMAREN ÄR INTE AUTOMATISK UTAN MÅSTE UTFÖRAS MANUELLT. VÄNTA TILLS VÄRMAREN HAR SVALNAT HELT OCH AVLÄGSNA DEN MÖJLIGA ORSAKEN TILL BLOCKERINGEN AV VÄRMAREN (T.EX. TILLTÄPPNING AV LUFTINTAGET, OTILLRÄCKLIG LUFTTILLFÖRSEL OSV.) OCH TRYCK IN "RESET"-KNAPPEN ORDENTLIGT (Fig. 5), MEDAN NI KONTROLLERAR ATT "VÄRMARENS BLOCKERADE KONTROLLAMPA (C Fig. 2)" SLÄCKS. OM INTE VÄRMAREN SKULLE FUNGERA EFTER NÅGRA FÖRSÖK TILL ÅTERSTÄLLNING SKA NI KONTAKTA DEN TEKNISKA KUNDTJÄNSTEN.

OBSERVERA: ETT ANTAL SENSORER KONTROLLERAR VÄRMARENS KORREKTA FUNKTION OCH BLOCKERAR APPARATEN VID ALLVARLIG AVVIKELSE. ÅTERSTÄLLNINGEN AV VÄRMAREN ÄR INTE AUTOMATISK UTAN MÅSTE UTFÖRAS MANUELLT. VÄNTA TILLS VÄRMAREN HAR SVALNAT HELT OCH AVLÄGSNA DEN MÖJLIGA ORSAKEN TILL BLOCKERINGEN AV VÄRMAREN (T.EX. TILLTÄPPNING AV LUFTINTAGET, OTILLRÄCKLIG LUFTTILLFÖRSEL OSV.) OCH TRYCK IN "RESET"-KNAPPEN ORDENTLIGT (Fig. 5), MEDAN NI KONTROLLERAR ATT "VÄRMARENS BLOCKERADE KONTROLLAMPA (C Fig. 2)" SLÄCKS. OM INTE VÄRMAREN SKULLE FUNGERA EFTER NÅGRA FÖRSÖK TILL ÅTERSTÄLLNING SKA NI KONTAKTA DEN TEKNISKA KUNDTJÄNSTEN.

OBSERVERA: ETT ANTAL SENSORER KONTROLLERAR VÄRMARENS KORREKTA FUNKTION OCH BLOCKERAR APPARATEN VID ALLVARLIG AVVIKELSE. ÅTERSTÄLLNINGEN AV VÄRMAREN ÄR INTE AUTOMATISK UTAN MÅSTE UTFÖRAS MANUELLT. VÄNTA TILLS VÄRMAREN HAR SVALNAT HELT OCH AVLÄGSNA DEN MÖJLIGA ORSAKEN TILL BLOCKERINGEN AV VÄRMAREN (T.EX. TILLTÄPPNING AV LUFTINTAGET, OTILLRÄCKLIG LUFTTILLFÖRSEL OSV.) OCH TRYCK IN "RESET"-KNAPPEN ORDENTLIGT (Fig. 5), MEDAN NI KONTROLLERAR ATT "VÄRMARENS BLOCKERADE KONTROLLAMPA (C Fig. 2)" SLÄCKS. OM INTE VÄRMAREN SKULLE FUNGERA EFTER NÅGRA FÖRSÖK TILL ÅTERSTÄLLNING SKA NI KONTAKTA DEN TEKNISKA KUNDTJÄNSTEN.

OBSERVERA: ETT ANTAL SENSORER KONTROLLERAR VÄRMARENS KORREKTA FUNKTION OCH BLOCKERAR APPARATEN VID ALLVARLIG AVVIKELSE. ÅTERSTÄLLNINGEN AV VÄRMAREN ÄR INTE AUTOMATISK UTAN MÅSTE UTFÖRAS MANUELLT. VÄNTA TILLS VÄRMAREN HAR SVALNAT HELT OCH AVLÄGSNA DEN MÖJLIGA ORSAKEN TILL BLOCKERINGEN AV VÄRMAREN (T.EX. TILLTÄPPNING AV LUFTINTAGET, OTILLRÄCKLIG LUFTTILLFÖRSEL OSV.) OCH TRYCK IN "RESET"-KNAPPEN ORDENTLIGT (Fig. 5), MEDAN NI KONTROLLERAR ATT "VÄRMARENS BLOCKERADE KONTROLLAMPA (C Fig. 2)" SLÄCKS. OM INTE VÄRMAREN SKULLE FUNGERA EFTER NÅGRA FÖRSÖK TILL ÅTERSTÄLLNING SKA NI KONTAKTA DEN TEKNISKA KUNDTJÄNSTEN.

OBSERVERA: ETT ANTAL SENSORER KONTROLLERAR VÄRMARENS KORREKTA FUNKTION OCH BLOCKERAR APPARATEN VID ALLVARLIG AVVIKELSE. ÅTERSTÄLLNINGEN AV VÄRMAREN ÄR INTE AUTOMATISK UTAN MÅSTE UTFÖRAS MANUELLT. VÄNTA TILLS VÄRMAREN HAR SVALNAT HELT OCH AVLÄGSNA DEN MÖJLIGA ORSAKEN TILL BLOCKERINGEN AV VÄRMAREN (T.EX. TILLTÄPPNING AV LUFTINTAGET, OTILLRÄCKLIG LUFTTILLFÖRSEL OSV.) OCH TRYCK IN "RESET"-KNAPPEN ORDENTLIGT (Fig. 5), MEDAN NI KONTROLLERAR ATT "VÄRMARENS BLOCKERADE KONTROLLAMPA (C Fig. 2)" SLÄCKS. OM INTE VÄRMAREN SKULLE FUNGERA EFTER NÅGRA FÖRSÖK TILL ÅTERSTÄLLNING SKA NI KONTAKTA DEN TEKNISKA KUNDTJÄNSTEN.

OBSERVERA: ETT ANTAL SENSORER KONTROLLERAR VÄRMARENS KORREKTA FUNKTION OCH BLOCKERAR APPARATEN VID ALLVARLIG AVVIKELSE. ÅTERSTÄLLNINGEN AV VÄRMAREN ÄR INTE AUTOMATISK UTAN MÅSTE UTFÖRAS MANUELLT. VÄNTA TILLS VÄRMAREN HAR SVALNAT HELT OCH AVLÄGSNA DEN MÖJLIGA ORSAKEN TILL BLOCKERINGEN AV VÄRMAREN (T.EX. TILLTÄPPNING AV LUFTINTAGET, OTILLRÄCKLIG LUFTTILLFÖRSEL OSV.) OCH TRYCK IN "RESET"-KNAPPEN ORDENTLIGT (Fig. 5), MEDAN NI KONTROLLERAR ATT "VÄRMARENS BLOCKERADE KONTROLLAMPA (C Fig. 2)" SLÄCKS. OM INTE VÄRMAREN SKULLE FUNGERA EFTER NÅGRA FÖRSÖK TILL ÅTERSTÄLLNING SKA NI KONTAKTA DEN TEKNISKA KUNDTJÄNSTEN.

OBSERVERA: ETT ANTAL SENSORER KONTROLLERAR VÄRMARENS KORREKTA FUNKTION OCH BLOCKERAR APPARATEN VID ALLVARLIG AVVIKELSE. ÅTERSTÄLLNINGEN AV VÄRMAREN ÄR INTE AUTOMATISK UTAN MÅSTE UTFÖRAS MANUELLT. VÄNTA TILLS VÄRMAREN HAR SVALNAT HELT OCH AVLÄGSNA DEN MÖJLIGA ORSAKEN TILL BLOCKERINGEN AV VÄRMAREN (T.EX. TILLTÄPPNING AV LUFTINTAGET, OTILLRÄCKLIG LUFTTILLFÖRSEL OSV.) OCH TRYCK IN "RESET"-KNAPPEN ORDENTLIGT (Fig. 5), MEDAN NI KONTROLLERAR ATT "VÄRMARENS BLOCKERADE KONTROLLAMPA (C Fig. 2)" SLÄCKS. OM INTE VÄRMAREN SKULLE FUNGERA EFTER NÅGRA FÖRSÖK TILL ÅTERSTÄLLNING SKA NI KONTAKTA DEN TEKNISKA KUNDTJÄNSTEN.

►► 5.2. AVSTÄNGNING:

► 5.2.1. För effektväljaren till läget "0/OFF" (A Fig. 2) och lämna fläkten igång tills värmaren har stängts av helt.

► 5.2.2. Koppla bort värmaren från elnätet.

OBSERVERA: UNDVIK ATT KOPPLA BORT VÄRMAREN FRÅN ELNÄTET INNAN FLÄKTEN HAR STANNAT HELT, FÖR ATT UNDVIKA ALLVARLIGA SKADOR.

►► 6. LAGRING

Koppla alltid bort värmaren från elnätet (Fig. 10) när den inte används och vänta några minuter på att den svalnar helt innan ni ställer undan den. Ställ den i ett torrt och dammfritt utrymme. Kontrollera nivån på matarkabelns underhåll när värmaren ska användas på nytt. Om ni har tvivel angående en god förvaring kontakta den tekniska kundtjänsten. Hur som helst ska ni låta den tekniska kundtjänsten kontrollera värmarens korrekta funktion minst en gång om året och/eller vid behov.

►► 7. ANSLUTNING FJÄRRSTYRD RUMSTERMOSTAT

Ta bort locket som är anslutet till värmaren och anslut den fjärrstyrda rumstermostaten (Fig. 4).

OBSERVERA: FÖR KORREKT DRIFT MÅSTE VÄRMAREN VARA ANSLUTEN TILL ETT TÄCKLOCK ELLER TILL EN FJÄRRSTYRD RUMSTERMOSTAT, ANNARS SLÅS INTE VÄRMAREN PÅ.

►► 8. FELSÖKNING

PROBLEM	MÖJLIG ORSAK	MÖJLIG ÅTGÄRD
Värmaren fungerar inte	1. Effektväljaren i läget "0/OFF" 2. Felaktig anslutning eller inställning av rumstermostaten 3. Ingen strömförsörjning 4. Värmaren är blockerad	1. Vrid effektväljaren till önskat funktionsläge 2a. Sätt i rumstermostatens kontakt korrekt 2b. Kontrollera att den temperatur som ställts in på rumstermostaten är högre än utomhustemperaturen 2c. Kontrollera korrekt insättning av termostatens kontakthuv 3a. Sätt i kontakten korrekt i strömtillförseln 3b. Kontrollera att elanläggningen fungerar korrekt 3c. Vänd er till den tekniska kundtjänsten 4a. Återställ värmaren 4b. Vänd er till den tekniska kundtjänsten
Motorn fungerar inte	1. Motorn är trasig 2. Igensatt fläkt	1. Vänd er till den tekniska kundtjänsten 2a. Avlägsna hinder 2b. Vänd er till den tekniska kundtjänsten
Värmaren värmer inte	1. Effektväljaren i läget "VENTILATION" 2. Trasig inre utrustning	1. Vrid effektväljaren till "UPPVÄRMNING" 2. Vänd er till den tekniska kundtjänsten
Minskat luftflöde	1. Tilltäppt luftintag 2. Motorn är trasig	1a. Avlägsna hinder 1b. Vänd er till den tekniska kundtjänsten 2. Vänd er till den tekniska kundtjänsten

▶▶1. INFORMACJE DOTYCZĄCE BEZPIECZEŃSTWA

(Rys. 1)

Ta seria nagrzewnic powietrza jest szczególnie odpowiednia do uzyskiwania i utrzymywania wysokiej temperatury (~ 60°C/140°F) w odpowiednio izolowanych i odpowiednio dobranych pomieszczeniach. Nagrzewnice te są zgodne z obowiązującą dyrektywą europejską.

WAŻNE: Przed przystąpieniem do montażu, uruchomienia lub konserwacji niniejszej nagrzewnicy należy przeczytać i zrozumieć jej instrukcję. Nieprawidłowe używanie nagrzewnicy może być przyczyną poważnych obrażeń. Niniejszą instrukcję należy zachować do wglądu.

WAŻNE: Niniejsza nagrzewnica nie może być używana przez osoby (w tym dzieci) o ograniczonych zdolnościach fizycznych, sensorycznych i umysłowych lub przez osoby niedoświadczone, chyba że będą one nadzorowane przez osobę odpowiedzialną za ich bezpieczeństwo. Należy nadzorować dzieci, aby upewnić się, że nie bawią się one nagrzewnicą.

WAŻNE: Wszystkie prace związane z czyszczeniem, konserwacją i naprawami, wymagające dostępu do części niebezpiecznych, muszą być przeprowadzane przez producenta, jego serwis techniczny lub przez osobę o podobnych kwalifikacjach, ponieważ pozwoli to zapobiec wszelkiemu ryzyku, nawet jeśli prace takie miałyby być wykonywane po odłączeniu urządzenia od sieci elektrycznej.

WAŻNE: Podczas użytkowania nagrzewnicy stosować się do przepisów miejscowych oraz obowiązujących przepisów ogólnych.

WAŻNE: Ta nagrzewnica może osiągnąć wysoką temperaturę. Aby uniknąć poważnych uszkodzeń, należy szczególnie uważać z nagrzewnicą, zwracając szczególną uwagę na to, aby w otoczeniu nie było żadnych materiałów, przedmiotów itp. wrażliwych na wysoką temperaturę (~ 60°C/140°F).

▶1.1. Nagrzewnice używane w pobliżu plandek, brezentów lub innych podobnych materiałów pokrywowych powinny być używane w bezpiecznej od nich odległości.

▶1.2. W celu uniknięcia poważnego uszkodzenia nagrzewnicy należy przechowywać ją w bezpiecznej odległości od wilgoci, wody i czynników atmosferycznych.

▶1.3. Materiały łatwopalne lub termolabilne (łącznie z kablem zasilającym) powinny znajdować się w bezpiecznej odległości od gorących części nagrzewnicy.

▶1.4. Gdy nagrzewnica jest gorąca, przyłączona do zasilania elektrycznego lub włączona, nie należy jej przenosić, manipulować przy niej lub wykonywać konserwacji.

▶1.5. Aby uniknąć ryzyka pożaru, gorącą lub włączoną nagrzewnicę należy umieścić na stabilnej i równej powierzchni.

▶1.6. Zwierzęta utrzymywać w bezpiecznej odległości od nagrzewnicy.

▶1.7. Napięcie i częstotliwość zasilania nagrzewnicy powinny być zgodne z wartościami podanymi na jej tabliczce znamionowej.

▶1.8. Upewnić się, że nagrzewnica została podłączona

do sieci elektrycznej prawidłowo wyposażonej w wyłącznik różnicowy z odpowiednim uziemieniem.

▶1.9. W celu uniknięcia wszelkiego ryzyka, uszkodzony kabel zasilający powinien być wymieniony przez autoryzowane centrum pomocy technicznej.

▶1.10. Nieużywaną nagrzewnicę należy odłączyć od zasilania.

▶1.11. W przypadku czasowego pozostawienia nagrzewnicy w niebezpiecznych warunkach należy zabezpieczyć ją przed użyciem i odłączyć od zasilania.

▶1.12. Nie wolno blokować, nawet częściowo, wlotu powietrza, ani wylotu powietrza nagrzewnicy. Nagrzewnica ma bardzo silny wentylator, podczas użytkowania otaczające środowisko musi być czyste i wolne od przedmiotów, które można wessać.

▶1.13. Należy unikać wprowadzania powietrza do przewodów, chyba że przy użyciu oryginalnych zestawów (tam, gdzie jest to przewidziane).

▶1.14. Nie należy przykrywać nagrzewnicy, mogłaby się przegrzać.

▶1.15. Co najmniej raz w roku i/lub w zależności od potrzeb należy zlecić pomocy technicznej sprawdzenie prawidłowego działania nagrzewnicy.

PRODUCENT NIE PONOSI ODPOWIEDZIALNOŚCI ZA SZKODY DLA OSÓB I MIENIA, PONIESIONE NA SKUTEK NIEPRAWIDŁOWEGO UŻYWANIA NAGRZEWNICY.

CZYNNOŚCI NA NAGRZEWNICY MOŻE WYKONYWAĆ WYŁĄCZNIE PERSONEL PRZESZKOLONY ORAZ AUTORYZOWANY PRZEZ PRODUCENTA.

▶▶2. ROZPAKOWYWANIE

OSTRZEŻENIE: Materiał opakowania nie jest zabawką dla dzieci. Opakowanie z tworzywa sztucznego należy przechowywać z dala od dzieci; niebezpieczeństwo uduszenia!

▶2.1. Należy usunąć wszystkie materiały użyte do pakowania i wysyłki nagrzewnicy, i zlikwidować je zgodnie z obowiązującymi przepisami.

▶2.2. Wyjąć wszystkie elementy z opakowania.

▶2.3. Sprawdzić, czy występują ewentualne uszkodzenia powstałe podczas transportu. W przypadku uszkodzenia nagrzewnicy należy niezwłocznie poinformować sprzedawcę, u którego została kupiona.

▶▶3. MONTAŻ

Niektóre modele mogą być wyposażone w koła, uchwyty, wsporniki i kabel zasilający. Elementy mechaniczne, wraz z odpowiednimi śrubami i nakrętkami montażowymi znajdują się w opakowaniu nagrzewnicy i należy je zamontować przed włączeniem.

▶▶4. PANEL STEROWANIA

(Rys. 2)

- A. Przełącznik mocy;
- B. Kontrolka obecności napięcia;
- C. Zablokowana kontrolka maszyny;
- D. Gniazdo sterownika pokojowego;
- E. Przycisk „RESET”.

▶▶5. DZIAŁANIE

OSTRZEŻENIE: W celu prawidłowego korzystania i unikania ryzyka, przed uruchomieniem nagrzewnicy należy przeczytać, zrozumieć i przestrzegać „INFORMACJI DOTYCZĄCYCH BEZPIECZEŃSTWA”.

OSTRZEŻENIE: Należy sprawdzić, czy kabel zasilający jest nienaruszony i czy dane elektryczne sieci odpowiadają wartościom na tabliczce znamionowej nagrzewnicy.

OSTRZEŻENIE: Nigdy nie należy używać nagrzewnicy przed wcześniejszym prawidłowym zamontowaniem wszystkich elementów i upewnieniem się, że nagrzewnica znajduje się na idealnie płaskiej i równej powierzchni.

►► 5.1. WŁĄCZANIE:

► 5.1.1. Przyłączyć wtyczkę nagrzewnicy do sieci elektrycznej (Rys. 3).

► 5.1.2. Przyłączyć sterownik pokojowy do nagrzewnicy (Rys. 4) (Nagrzewnica bez sterownika pokojowego będzie działała z maksymalną mocą grzewczą).

► 5.1.3. Umieścić przełącznik mocy w wybranym położeniu (A Rys. 2). Są dostępne następujące ustawienia:

• Po ustawieniu przełącznika mocy na „WENTYLATOR” nagrzewnica będzie działać wyłącznie w trybie wentylacji.

• Po ustawieniu przełącznika mocy na „OGRZEWANIE” nagrzewnica będzie działać z maksymalną mocą grzewczą.

UWAGA: SZEREG CZUJNIKÓW KONTROLUJE PRAWDŁOWE DZIAŁANIE NAGRZEWNICY, BLOKUJĄC URZĄDZENIA W PRZYPADKU POWAŻNEJ NIEPRAWIDŁOWOŚCI. PRZYWRACANIE NAGRZEWNICY DO POPRZEDNIEGO STANU NIE ODBYWA SIĘ AUTOMATYCZNIE, NALEŻY WYKONYWAĆ JE RĘCZNIE. NALEŻY ZACZEKAĆ NA CAŁKOWITE OCHŁODZENIE NAGRZEWNICY, USUNĄĆ MOŻLIWĄ PRZYCYNĘ BLOKADY NAGRZEWNICY (NP. ZATKANIE WLOTU POWIETRZA, NIEDOSTATECZNY DOPŁYW POWIETRZA ITD.) I NACISNĄĆ DO KOŃCA NA PRZYCISK “RESET” (Rys. 5), SPRAWDZAJĄC, CZY “KONTROLKA BLOKADY

NAGRZEWNICY (C Rys. 2)” WYŁĄCZA SIĘ. JEŚLI NAGRZEWNICA NIE DZIAŁA PO KILKU PRÓBACH PRZYWRÓCENIA DO POPRZEDNIEGO STANU, NALEŻY SKONTAKTOWAĆ SIĘ Z SERWISEM TECHNICZNYM.

►► 5.2. WYŁĄCZANIE:

► 5.2.1. Umieścić przełącznik mocy w położeniu „OFF/0” (A Rys. 2) i zostawić włączony wirnik do całkowitego wyłączenia nagrzewnicy.

► 5.2.2. Odłączyć nagrzewnicę od zasilania elektrycznego.

UWAGA: ABY ZAPOBIEC POWAŻNYM SZKODOM, NALEŻY UNIKAĆ ODŁĄCZANIA NAGRZEWNICY OD ZASILANIA ELEKTRYCZNEGO PRZED CAŁKOWITYM ZATRZYMANIEM WIRNIKA.

►► 6. PRZECHOWYWANIE

Należy zawsze odłączać nagrzewnicę od zasilania elektrycznego (Rys. 10), gdy nie jest w użyciu, a przed odstawieniem należy poczekać kilka minut do jej całkowitego ostygnięcia. Należy przechowywać ją w suchym pomieszczeniu i chronić przed kurzem. Podczas ponownego korzystania z nagrzewnicy należy sprawdzić stan techniczny kabla zasilającego; w razie wątpliwości, co do jej prawidłowego stanu należy zlecić wykonanie odpowiednich czynności serwisowi technicznemu. Tym niemniej przynajmniej raz w roku i/lub w zależności od potrzeb należy zlecić pomocy technicznej sprawdzenie prawidłowego działania nagrzewnicy.

►► 7. POŁĄCZENIE ZDALNEGO STEROWNIKA POKOJOWEGO

Zdjąć zatyczkę połączoną z nagrzewnicą i przyłączyć zdalny sterownik pokojowy (Rys. 4).

UWAGA: ABY DZIAŁANIE BYŁO POPRAWNE, ILNAGRZEWNICĘ NALEŻY PRZYŁĄCZYĆ Z KAPTURKIEM LUB ZDALNYM STEROWNIKIEM POKOJOWYM, W PRZECIWNYM RAZIE NAGRZEWNICA SIĘ NIE WŁĄCZY.

►► 8. OKREŚLANIE PROBLEMU

PROBLEM	MOŻLIWA PRZYCZYNA	PROPONOWANE ROZWIĄZANIE
Nagrzewnica nie działa	1. Przełącznik mocy w położeniu „0/ OFF” 2. Nieprawidłowe przyłączenie lub ustawienie termostatu pokojowego 3. Brak zasilania 4. Blokada nagrzewnicy	1. Umieścić przełącznik mocy w wybranym położeniu 2a. Poprawnie włożyć wtyczkę sterownika pokojowego 2b. Upewnić się, że temperatura ustawiona w termostacie pokojowym jest wyższa od temperatury zewnętrznej 2c. Sprawdzić, czy przykrywka gniazda wtykowego jest umieszczona prawidłowo 3a. Prawidłowo umieścić wtyczkę w gniazdku zasilania 3b. Sprawdzić prawidłowość działania instalacji elektrycznej 3c. Zwrócić się do centrum pomocy technicznej 4a. Przywrócić początkowy stan nagrzewnicy 4b. Zwrócić się do centrum pomocy technicznej
Silnik nie działa	1. Silnik jest uszkodzony 2. Wirnik jest zablokowany	1. Zwrócić się do centrum pomocy technicznej 2a. Należy usunąć przeszkody 2b. Zwrócić się do centrum pomocy technicznej
Nagrzewnica nie działa	1. Przełącznik mocy w położeniu „WENTYLACJA” 2. Uszkodzone wyposażenie wewnętrzne	1. Umieścić przełącznik mocy w położeniu „OGRZEWANIE” 2. Zwrócić się do centrum pomocy technicznej
Zmniejszony przepływ powietrza	1. Zatkany wlot powietrza 2. Silnik jest uszkodzony	1a. Należy usunąć przeszkody 1b. Zwrócić się do centrum pomocy technicznej 2. Zwrócić się do centrum pomocy technicznej

►► 1. ТЕХНИКА БЕЗОПАСНОСТИ

(Рис. 1)

Настоящий комплект обогревателей воздуха прежде всего рекомендуется для получения и поддержания в закрытых и изолированных помещениях высоких температур (~ 60°C / 140°F). Данные обогреватели соответствуют действующей европейской директиве.

ВАЖНО! Следует прочитать и усвоить данное оперативное руководство перед выполнением сборки, запуска в эксплуатацию или техобслуживания обогревателя. Ненадлежащее использование обогревателя может причинить тяжелые травмы. Хранить настоящее руководство для последующих консультаций.

ВАЖНО! Не допускается эксплуатация данного обогревателя лицами (включая детей) с ограниченными физическими, сенсорными, умственными способностями. Не допускается эксплуатация обогревателя лицами, не обладающими достаточным опытом и знаниями, если они действуют без присмотра лица, отвечающего за их безопасность. Не оставлять детей без присмотра и не разрешать им играть с обогревателем.

ВАЖНО! Все операции по очистке, техобслуживанию и ремонту, которые предполагают доступ к опасным частям (как замена поврежденного кабеля питания) должны выполняться производителем, его центром сервисного обслуживания, или специалистом со схожей квалификацией, чтобы предотвратить любые риски, даже если предусмотрено отсоединение от сети питания.

ВАЖНО! При эксплуатации оборудования соблюдать все правила и требования действующего законодательства.

ВАЖНО! Настоящий нагреватель может достигнуть высоких температур. Во избежание серьезных повреждений следует использовать нагреватель в безопасных условиях. Следует обратить максимальное внимание на то, что в помещении нет материалов, предметов и т.д., чувствительных к высоким температурам (~ 60°C / 140°F).

►1.1. Обогреватель, используемый в непосредственной близости от брезента, полотен или других подобных материалов покрытия, должен быть расположен на безопасном расстоянии от них.

►1.2. Хранить обогреватель на безопасном расстоянии от источников влаги или воды, а также от атмосферных агентов, во избежание серьезных повреждений нагревателя.

►1.3. Нагретый обогреватель должен находиться на безопасном расстоянии от горючих или легковоспламеняемых материалов (включая кабель питания).

►1.4. Когда обогреватель горячий, подсоединен к электрической сети или находится в состоянии работы, запрещается перемещать его или выполнять любые операции техобслуживания.

►1.5. Во избежание возникновения пожара, горячий или работающий обогреватель должен быть установлен на стабильном и ровном основании.

►1.6. Животные должны находиться на безопасном расстоянии от обогревателя.

►1.7. Напряжение и частота сети питания должны соответствовать данным, указанным на табличке, расположенной на обогревателе.

►1.8. Убедиться, что обогреватель подключен к сети электропитания, оснащенной дифференциальным выключателем с подходящей системой заземления.

►1.9. Если кабель электропитания поврежден, центр сервисного обслуживания должен выполнить его замену, во избежание несчастных случаев.

►1.10. Отключать обогреватель от сети электропитания, если он не используется.

►1.11. Если обогреватель должен временно находиться в небезопасных условиях, следует исключить возможность его использования или отключить его от сетевой розетки.

►1.12. Не закупоривать, даже частично, воздухозаборник, выход воздуха обогревателя. Нагреватель имеет очень мощный вентилятор во время эксплуатации, окружающая среда должна быть чистой и без предметов, которые могут аспирированы.

►1.13. Избегать выполнять воздуховоды, или выполнять их только из оригинальных комплектов (если предусмотрено).

►1.14. Запрещается накрывать обогреватель, поскольку он может перегреться.

►1.15. Необходимо, чтобы правильность работы обогревателя проверялась в сервисном центре, хотя бы раз в год и/или при необходимости.

ИЗГОТОВИТЕЛЬ СНИМАЕТ С СЕБЯ ВСЯКУЮ ОТВЕТСТВЕННОСТЬ ЗА УЩЕРБ, НАНЕСЕННЫЙ ИМУЩЕСТВУ ИЛИ ЛЮДЯМ В РЕЗУЛЬТАТЕ ИСПОЛЬЗОВАНИЯ ОБОГРЕВАТЕЛЯ НЕ ПО НАЗНАЧЕНИЮ.

ТОЛЬКО СПЕЦИАЛИЗИРОВАННЫЙ И УПОЛНОМОЧЕННЫЙ ПЕРСОНАЛ МОЖЕТ ПРОВОДИТЬ ОПЕРАЦИИ С ОБОГРЕВАТЕЛЕМ.

►► 2. СНЯТИЕ УПАКОВКИ

ПРЕДУПРЕЖДЕНИЕ: Упаковочный материал - не игрушка для детей. Держать пластиковый пакет вдали от детей во избежание риска удушья!

►2.1. Удалите все упаковочные материалы, использованные для упаковки и транспортировки обогревателя, утилизируйте их согласно действующих норм.

►2.2. Достать все изделия из упаковки.

►2.3. Проверьте, нет ли повреждений, полученных во время перевозки. Если на приборе обнаружены повреждения, необходимо немедленно сообщить об этом представителю продавца по месту приобретения оборудования.

►► 3. СБОРКА

Некоторые модели могут комплектоваться колесами, рукоятками, суппортами и кабелем питания. Механические компоненты, вместе с соответствующими крепежными деталями для монтажа, находятся в упаковке обогревателя, их сборка должна быть проведена перед включением.

►► 4. ПАНЕЛЬ УПРАВЛЕНИЯ

(Рис. 2)

A. Селектор мощности;

B. Лампа присутствия напряжения;

C. Лампа блокировки машины;

D. Розетка термостата помещения;

E. Кнопка "СБРОС".

►► 5. ФУНКЦИОНИРОВАНИЕ

ПРЕДУПРЕЖДЕНИЕ: Для правильной эксплуатации и во избежание рисков, следует прочитать, усвоить и выполнять инструкции из раздела "ИНФОРМАЦИЯ О БЕЗОПАСНОСТИ", прежде чем включать обогреватель.

ПРЕДУПРЕЖДЕНИЕ: Следует убедиться в целостности кабеля питания, и что характеристики электрической сети соответствуют данным на табличке технических данных обогревателя.

ПРЕДУПРЕЖДЕНИЕ: Запрещается использовать обогреватель, предварительно не установив правильно все компоненты и не убедившись, что обогреватель расположен на ровной, гладкой и стабильной поверхности.

►► 5.1. ВКЛЮЧЕНИЕ:

►5.1.1. Подключить вилку обогревателя к электрической сети (Рис. 3).

►5.1.2. Подключить термостат окружающей среды к обогревателю (Рис. 4) (нагреватель без подключенного термостата окружающей среды будет работать при максимальной мощности обогрева).

►5.1.3. Установить селектор мощности в желаемый режим (А Рис. 2). Доступны следующие режимы:

- Устанавливая селектор мощности на “ВЕНТИЛЯТОР” обогреватель будет работать только в режиме вентиляции.
- Устанавливая селектор мощности на “НАГРЕВ” обогреватель будет работать максимальной мощности нагрева.

ВНИМАНИЕ! СЕРИЯ ДАТЧИКОВ СЛЕДИТ ЗА ПРАВИЛЬНОСТЬЮ РАБОТЫ ОБОГРЕВАТЕЛЯ, БЛОКИРУЯ ПРИБОР В СЛУЧАЕ СЕРЬЕЗНЫХ НЕПОЛАДОВ. ВОЗОБНОВЛЕНИЕ РАБОТЫ ОБОГРЕВАТЕЛЯ НЕ АВТОМАТИЧЕСКОЕ, А ДОЛЖНО ПРОИЗВОДИТЬСЯ ВРУЧНУЮ. СЛЕДУЕТ ДОЖДАТЬСЯ ПОЛНОГО ОХЛАЖДЕНИЯ ОБОГРЕВАТЕЛЯ, УСТРАНИТЬ ВОЗМОЖНУЮ ПРИЧИНУ, КОТОРАЯ ПРИВЕЛА К БЛОКИРОВКЕ ОБОГРЕВАТЕЛЯ (НАПР. ЗАСОРЕНИЕ ВОЗДУХОЗАБОРНИКА, НЕДОСТАТОЧНАЯ ПОДАЧА ВОЗДУХА, И Т.П.) ЗАТЕМ, ПОЛНОСТЬЮ НАЖАТЬ КНОПКУ "СБРОС" (Рис. 5), ПРОВЕРЯЯ, ЧТОБЫ

"ЛАМПА БЛОКИРОВКИ ОБОГРЕВАТЕЛЯ (С Рис. 2)" ПОГАСЛА. ЕСЛИ ПОСЛЕ НЕСКОЛЬКИХ ПОПЫТОК ВОЗОБНОВЛЕНИЯ РАБОТЫ ОБОГРЕВАТЕЛЬ НЕ РАБОТАЕТ, СЛЕДУЕТ ОБРАТИТЬСЯ В СЕРВИСНУЮ СЛУЖБУ.

►► 5.2. ВЫКЛЮЧЕНИЕ:

►5.2.1. Установить селектор мощности в положение “OFF/0” (Рис. 2) и оставить вентилятор работать до полного выключения обогревателя.

►5.2.2. Отсоединить обогреватель от сети электропитания.

ВНИМАНИЕ: СЛЕДУЕТ ИЗБЕГАТЬ ОТКЛЮЧАТЬ ОБОГРЕВАТЕЛЬ ОТ ЭЛЕКТРИЧЕСКОЙ СЕТИ ДО ПОЛНОЙ ОСТАНОВКИ ВЕНТИЛЯТОРА, ВО ИЗБЕЖАНИЕ СЕРЬЕЗНЫХ ПОВРЕЖДЕНИЙ.

►► 6. ХРАНЕНИЕ

Отсоединить обогреватель от сети электропитания (Рис. 10), если он не используется и перед тем, как поместить его на хранение, подождать несколько минут, чтобы он полностью остыл. Поместить его на хранение в сухое и защищенное от пыли место. Если обогреватель будет использоваться, необходимо проверить состояние кабеля питания; в случае возникновения сомнений касательно его сохранности, обратиться в сервисный центр. Необходимо, чтобы правильность работы обогревателя проверялась в сервисном центре, хотя бы раз в год и/или при необходимости.

►► 7. ПОДКЛЮЧЕНИЕ ДИСТАНЦИОННОГО ТЕРМОСТАТА ДЛЯ КОНТРОЛЯ ПОМЕЩЕНИЯ

Снять крышку, соединенную с обогревателем, и подключить удаленный термостат помещения (Рис. 4).

ВНИМАНИЕ: ДЛЯ ПРАВИЛЬНОЙ РАБОТЫ НАГРЕВАТЕЛЬ ДОЛЖЕН БЫТЬ ПОДКЛЮЧЕН ИЛИ ДОЛЖНА БЫТЬ УСТАНОВЛЕНА КРЫШКА, ИЛИ ДОЛЖЕН БЫТЬ ПОДКЛЮЧЕН УДАЛЕННЫЙ ТЕРМОСТАТ ПОМЕЩЕНИЯ, В ПРОТИВНОМ СЛУЧАЕ ОБОГРЕВАТЕЛЬ НЕ ВКЛЮЧИТСЯ.

►► 8. ОПРЕДЕЛЕНИЕ ПРОБЛЕМЫ

ПРОБЛЕМА	ВОЗМОЖНАЯ ПРИЧИНА	ВОЗМОЖНОЕ РЕШЕНИЕ
Обогреватель не работает	1. Селектор мощности в положении “0/OFF” 2. Неправильное подключение или настройка термостата помещения 3. Отсутствие питания 4. Обогреватель заблокирован	1. Установить селектор мощности в желаемый режим 2а. Полностью вставить вилку термостата помещения 2б. Проверить, чтобы температура установленная на термостате помещения, была выше чем температура снаружи 2с. Проверить, что колпак вилки термостата вставлен правильно 3а. Правильно вставить вилку в сеть электропитания 3б. Проверить правильность работы вашей сети электропитания 3с. Обратиться в сервисный центр 4а. Возобновить работу обогревателя 4б. Обратиться в сервисный центр
Двигатель не работает	1. Неисправный двигатель 2. Вентилятор заблокирован	1. Обратиться в сервисный центр 2а. Удалить засорения 2б. Обратиться в сервисный центр
Обогреватель не нагревается	1. Селектор мощности в положении “ВЕНТИЛЯЦИЯ” 2. Внутренние приборы неисправны	1. Установить селектор мощности на “ОБОГРЕВ” 2. Обратиться в сервисный центр
Слабый поток воздуха	1. Воздухозаборник засорен 2. Неисправный двигатель	1а. Удалить засорения 1б. Обратиться в сервисный центр 2. Обратиться в сервисный центр

►► 1. BEZPEČNOSTNÍ INFORMACE

(Obr. 1)

Tato řada ohřivačů vzduchu je vhodná zejména pro dosažení a zachování vysokých teplot (~ 60 °C / 140 °F) ve vhodně izolovaných uzavřených prostor odpovídajících rozměrů. Tyto ohřivače jsou v souladu s platnou evropskou směrnicí.

DŮLEŽITÉ: Přečtěte si a pochopte tento návod dřív, než přistoupíte k montáži, uvedení do provozu nebo údržbě tohoto ohřivače. Nesprávné použití ohřivače může zapříčinit vážná zranění. Uchovejte tento návod pro budoucí použití.

DŮLEŽITÉ: Tento ohřivač není určen pro používání osobami (včetně dětí) se sníženými fyzickými, smyslovými nebo duševními schopnostmi, nebo nezkušenými osobami, pokud nejsou pod dohledem osoby odpovědné za jejich bezpečnost. Děti musí být pod dozorem, aby se zajistilo, že si nebudou s ohřivačem hrát.

DŮLEŽITÉ: Veškeré operace čištění, údržby a oprav, které zahrnují přístup k nebezpečným částem (jako je výměna poškozeného napájecího kabelu), musí provádět výrobce, jeho autorizované servisní středisko, osoba s odbornou kvalifikací, aby se zabránilo všem rizikům, a to i v případě, že je zajištěno odpojení od napájecí sítě.

DŮLEŽITÉ: Během používání přístroje dodržujte všechny místní předpisy a platné normy.

DŮLEŽITÉ: Tento ohřivač může dosahovat vysokých teplot. Aby se zabránilo závažným škodám, je klíčové používat ohřivač bezpečně a věnovat maximální pozornost, aby se v prostředí nevyskytovaly materiály, předměty atd. citlivé na vysoké teploty (~ 60 °C / 140 °F).

► 1.1. Ohřivač používaný v blízkosti plachet, stanů a jiných podobných krycích materiálů musí být umístěn v bezpečné vzdálenosti od nich.

► 1.2. Udržujte topení v bezpečné vzdálenosti od vlhkosti, vody a povětrnostních vlivů, aby nedošlo k vážnému poškození ohřivače.

► 1.3. Dodržujte bezpečnou vzdálenost horkých částí ohřivače od hořlavých nebo termolabilních materiálů (včetně napájecího kabelu).

► 1.4. Když je ohřivač teplý, zapojený do elektrické sítě anebo v provozu, nesmí se nikdy přemísťovat, manipulovat, anebo provádět na něm jakékoli údržbářské zásahy.

► 1.5. Umístěte teplý ohřivač, nebo ohřivač v provozu na pevný a rovný povrch, aby se zabránilo nebezpečí vzniku požáru.

► 1.6. Udržujte domácí zvířata v bezpečné vzdálenosti od ohřivače.

► 1.7. Napájejte ohřivač pouze proudem s napětím a frekvencí, jak je uvedeno na typovém štítku ohřivače.

► 1.8. Ujistěte se o správném připojení ohřivače k elektrické síti, vybaveném diferenčním přerušovačem a řádně uzemněné.

► 1.9. Je-li napájecí kabel poškozený, musí být vyměněn servisní technickou službou, aby se předešlo jakémukoli riziku.

► 1.10. Když přístroj nepoužíváte, odpojte jej od elektrické sítě.

► 1.11. V případě, že je ohřivač dočasně ponechán v nejistých podmínkách, zajistěte, aby jej nebylo možné použít, a v každém případě jej vždy odpojte od zásuvky.

► 1.12. Nikdy neblokuje, ani částečně, nasávací otvor vzduchu anebo odváděcí otvor vzduchu ohřivače. Ohřivač má velmi silný ventilátor; během používání musí být okolní prostředí čisté a bez předmětů, které by mohly být nasáty.

► 1.13. Vyhněte se použití potrubí na přívod/odvod vzduchu s výjimkou originálních sad (tam, kde se předpokládají).

► 1.14. Nezakrývejte ohřivač, může dojít k přehřátí.

► 1.15. Nechte zkontrolovat správnou funkci ohřivače technickou službou, nejméně jednou za rok a/ nebo podle potřeby.

VÝROBCE ODMÍTÁ VEŠKEROU ODPOVĚDNOST ZA ŠKODY A/NEBO ZRANĚNÍ ZPŮSOBENÉ NESPRÁVNÝM POUŽÍVÁNÍM OHŘÍVAČE.

JEN ODBORNÝ PERSONÁL POVOLENÝ VÝROBCEM MŮŽE ZASÁHNOUT DO OHŘÍVAČE.

►► 2. VYBALENÍ

UPOZORNĚNÍ: Obalový materiál není hračkou pro děti. Uchovávejte plastový sáček mimo dosah dětí, nebezpečí udušení!

► 2.1. Odstranit všechny materiály, které byly použity pro zabalení a dodání ohřivače a likvidovat je podle platných předpisů.

► 2.2. Z obalu vyjměte všechny díly.

► 2.3. Zkontrolujte, zda nedošlo k poškození během přepravy. Zdá-li se ohřivač poškozený, okamžitě informujte prodejce, u kterého byl zakoupen.

►► 3. MONTÁŽ

Některé modely mohou být vybaveny kolečky, rukojetěmi, držáky a napájecím kabelem. Mechanické komponenty, spolu s příslušnými šrouby, se nacházejí v balení s ohřivačem a musí být namontované před prvním spuštěním.

►► 4. ŘÍDÍCÍ PANEL

(Obr. 2)

- A. Silový volič;
- B. Kontrolka přítomnosti napětí;
- C. Kontrola zablokovaného stroje;
- D. Zásuvka termostatu prostředí;
- E. Tlačítko „RESET“.

►► 5. PROVOZ

UPOZORNĚNÍ: Aby bylo možné správně používat a vyhnout se rizikům, před spuštěním ohřivače si musíte přečíst, porozumět a dodržovat „BEZPEČNOSTNÍ INFORMACE“.

UPOZORNĚNÍ: Zkontrolujte integritu napájecího kabelu, a aby elektrické charakteristiky sítě odpovídali těm, které jsou uvedené na typovém štítku ohřivače.

UPOZORNĚNÍ: Nikdy nepoužívejte ohřívač, aniž byste nejdříve nenamontovali všechny složky a ujistěte se, že ohřívač je umístěn na dokonale plochem a rovném povrchu.

►► 5.1. ZAPNUTÍ:

► 5.1.1. Připojte kabel ohřívače k elektrické síti (Obr. 3).
 ► 5.1.2. Připojte termostat prostředí k ohřívači (Obr. 4) (Ohřívač bez připojeného termostatu prostředí bude pracovat s maximálním výkonem ohřevu).

► 5.1.3. Otočte silovým voličem na požadovaný režim (A Obr. 2). Máte možnost provést následující nastavení:

- Přesunutím silového voliče do polohy „VENTILÁTOR“ bude ohřívač pracovat výhradně v režimu ventilace.

- Přesunutím silového voliče na „TOPENÍ“ ohřívač bude pracovat na maximální výkon ohřevu.

POZOR: SÉRIE ČIDEL, KONTROLUJÍ SPRÁVNÉ FUNGOVÁNÍ OHŘÍVAČE, ZABLOKUJÍ ZAŘÍZENÍ V PŘÍPADĚ VÁŽNÉHO PROBLÉMU. OBNOVENÍ OHŘÍVAČE NENÍ AUTOMATICKÉ, ALE MUSÍ BÝT PROVEDENÉ RUČNĚ. VYČEKTE NA KOMPLETNÍ OCHLAZENÍ OHŘÍVAČE, ODSTRANĚTE MOŽNÉ PŘÍČINY, KTERÉ VEDLI K ZABLOKOVÁNÍ OHŘÍVAČE (NAPŘ. PŘEKÁŽKY V OTVORU PŘÍVODU VZDUCHU, NEDOSTATEČNÝ PŘÍVOD VZDUCHU, APOD.) A STISKNĚTE TLAČÍTKO „RESET“ (Obr. 5), MEZITÍM ZKONTROLUJTE, ZDA „KONTROLKA ZABLOKOVÁNÍ OHŘÍVAČE (C Obr. 2)“ ZHASNE. JESTLIŽE PO NĚKOLIKA POKUSECH O OBNOVENÍ OHŘÍVAČ NEFUNGUJE, OBRAŤTE SE NA TECHNICKOU SLUŽBU.

►► 5.2. VYPNUTÍ:

► 5.2.1. Otočte silovým voličem do polohy „0/OFF“ (A Obr. 2) a nechat běžet dmychadlo, dokud se úplně vypne ohřívač.

► 5.2.2. Odpojte ohřívač od elektrické sítě.

UPOZORNĚNÍ: NEODPOJUJTE OHŘÍVAČ OD ELEKTRICKÉ SÍTĚ PŘED CELKOVÝM VYPNUTÍ DMYCHADLA, ABY SE PŘEDEŠLO ŠKODÁM.

►► 6. SKLADOVÁNÍ

Vždy odpojte ohřívač od elektrické sítě (Obr. 10), v případě, že jej nepoužíváte a před uskladněním, vyčkejte několik minut než zcela vychladne. Uložte jej v suchu a na místě chráněném před prachem. Při opětovném použití ohřívače zkontrolujte stav údržby napájecího kabelu; máte-li pochybnosti o jeho dobrém stavu, požádejte o zásah technickou službu. Každopádně nechte zkontrolovat správnou funkci ohřívače technickou službou, nejméně jednou za rok a/nebo podle potřeby.

►► 7. PŘIPOJENÍ DÁLKOVÉHO POKOJOVÉHO TERMOSTATU

Odstraňte uzávěr připojený k ohřívači a připojte vzdálený pokojový termostat (Obr. 4).

UPOZORNĚNÍ: PRO SPRÁVNÉ FUNGOVÁNÍ MUSÍ MÍT OHŘÍVAČ PŘIPOJENÝ BUĎ UZÁVĚR, NEBO DÁLKOVÝ TERMOSTAT PROSTŘEDÍ; V OPAČNÉM PŘÍPADĚ SE OHŘÍVAČ NEZAPNE.

CS

►► 8. URČENÍ PROBLÉMU

PROBLÉM	MOŽNÁ PŘÍČINA	MOŽNÉ ŘEŠENÍ
Ohřívač nefunguje	1. Volič napájení v poloze „0/OFF“ 2. Nesprávné připojení nebo nastavení pokojového termostatu 3. Chybí napájení 4. Zablokovaný ohřívač	1. Otočte silovým voličem na požadovaný režim 2a. Správně připojte zásuvku pokojového termostatu 2b. Zkontrolujte, zda nastavená teplota na pokojovém termostatu je vyšší než je vnější teplota 2c. Zkontrolujte správné vložení krytu zásuvky termostatu 3a. Správně připojte zásuvku do elektrického napájení 3b. Zkontrolujte správné fungování vašeho elektrického zařízení 3c. Obraťte se na technické servisní středisko 4a. Obnovte ohřívač 4b. Obraťte se na technické servisní středisko
Motor nefunguje	1. Vadný motor 2. Zablokované oběžné kolo	1. Obraťte se na technické servisní středisko 2a. Odstraňte překážky 2b. Obraťte se na technické servisní středisko
Ohřívač neohřívá	1. Volič napájení v poloze „VĚTRÁNÍ“ 2. Vnitřní zařízení je porouchané	1. Otočte silovým voličem do polohy „TOPENÍ“ 2. Obraťte se na technické servisní středisko
Snížený průtok vzduchu	1. Přívod vzduchu ucpaný 2. Vadný motor	1a. Odstraňte překážky 1b. Obraťte se na technické servisní středisko 2. Obraťte se na technické servisní středisko

►►1. BIZTONSÁGI SZABÁLYOK

(1. Ábra)

A jelen meleg levegős léghevítő sorozat különösen alkalmas megfelelően méretezett és szigetelt helyiségek magas hőmérsékletre (~ 60°C / 140°F) történő felfűtésére és a hőmérséklet szinten tartására. A léghevítők megfelelnek a hatályos uniós irányelvek előírásainak.

FONTOS: A léghevítő összeszerelése, üzembe helyezése és karbantartása előtt olvassa el figyelmesen a jelen használati útmutatót. A léghevítő helytelen használata súlyos sérüléseket okozhat. Őrizze meg az útmutatót, mert a későbbiekben még szüksége lehet rá.

FONTOS: A léghevítőt csökkent értelmi, fizikai képességű vagy megfelelő tapasztalattal nem rendelkező személyek (beleértve a gyermekeket is) nem használhatják, kivéve ha biztonságukról gondoskodik a készülék használatát felügyelő személy. A gyermekeknek ne engedje, hogy játszanak a léghevítővel.

FONTOS: A kockázatok elkerülése érdekében az olyan tisztítási, karbantartási és javítási műveleteket, amelyek elvégzéséhez hozzá kell férni a készülék veszélyes részeihez (mint pl. egy sérült tápvezeték cseréjéhez) a gyártóval vagy az általa megbízott szakszervizzel kell elvégeztetni (annak ellenére, hogy ezekhez a műveletekhez a gépet ki kell húzni a konnektorból).

FONTOS: A melegítő használata során tartsa be a helyi előírásokat és a vonatkozó szabványokat.

FONTOS: A készülék magas hőmérsékletet érhet el. A súlyos károk elkerülése érdekében fontos, hogy a léghevítőt biztonságos körülmények között használja, ügyelve arra, hogy a fűtött helyiségben ne legyen magas hőmérsékletre (~ 60°C / 140°F) érzékeny anyagok vagy tárgyak.

►1.1. Ha a léghevítőt ponyvák, vásznak vagy egyéb takaró anyagok közelében használja, tartson megfelelő biztonsági távolságot.

►1.2. A készülék épségének megőrzése érdekében tartsa a készüléket nedvességtől, víztől és az időjárás viszontagságaitól távol.

►1.3. A készülék forró részeit tartsa gyúlékony vagy hőre lágyuló anyagoktól (a tápvezetékét beleértve) biztonságos távolságra.

►1.4. Amikor a léghevítő csatlakoztatva van az elektromos hálózatba, a készüléket áthelyezni, a készüléken karbantartási vagy egyéb műveleteket végezni tilos.

►1.5. A tűzveszély elkerülése érdekében helyezze a meleg, vagy még működő léghevítőt egy stabil vízszintes felületre.

►1.6. Az állatokat tartsa a léghevítőtől biztonságos távolságban.

►1.7. A léghevítőt kizárólag olyan hálózatra csatlakoztassa, amelynek feszültsége és frekvenciája megegyezik a készülék azonosító adattábláján feltüntetett frekvencia és feszültség adatokkal.

►1.8. Biztosítsa, hogy készülék kizárólag megfelelően földelt, és differenciálvédelmi megszakítóval felszerelt elektromos hálózatba legyen csatlakoztatva.

►1.9. A balesetveszély elkerülése érdekében ha a tápvezeték sérült, cseréltesse ki márkaszervizben.

►1.10. Amikor a készüléket nem használja, húzza ki a dugót a hálózati csatlakozóból.

►1.11. Ha a léghevítőt átmenetileg nem biztonságos körülmények között tárolja, gondoskodjon arról, hogy a készüléket ne lehessen használni, és húzza ki a dugót a hálózati csatlakozóból.

►1.12. Ne fedje le (még részlegesen sem) a léghevítő levegőbeszívó és kifúvó nyílásait. A léghevítő ventilátora nagy teljesítményű, ezért használat közben annak környékét tisztán kell tartani, illetve nem lehetnek a készülék környékén olyan tárgyak, amelyeket felszívhat.

►1.13. A levegő csatornázására kizárólag a gyártó által erre a célra előállított készletek használhatók (ahol lehetőség van ennek a beszerelésére).

►1.14. A léghevítőt tilos lefedni, mert túlmelegedhet.

►1.15. Ellenőriztesse évente legalább egyszer és/vagy szükség szerint akár gyakrabban is a műszaki szolgálattal a léghevítő működését.

A GYÁRTÓ NEM VONHATÓ FELELŐSÉGRE A LÉGHEVÍTŐ NEM MEGFELELŐ HASZNÁLATÁBÓL EREDŐ KÁROKÉRT ÉS/VAGY SZEMÉLYI SÉRÜLÉSEKÉRT.

A LÉGHEVÍTŐN SZÜKSÉGESÉ VÁLÓ MUNKÁLTÓKAT KIZÁRÓLAG A MÁRKASZERVIZ SZAKEMBEREI VÉGEZHETIK EL.

►►2. KICSOMAGOLÁS

FIGYELMEZTETÉS! A csomagolóanyag nem játékszer. A műanyag csomagolót tartsa távol gyermekektől; fulladásveszély!

►2.1. Távolítsa el a melegítőről a szállításhoz vagy csomagoláshoz használt anyagokat, és gondoskodjon a hatályos előírásoknak megfelelő ártalmatlanításáról.

►2.2. Vegye ki az összes alkatrészt a csomagolásból.

►2.3. Ellenőrizze, hogy a készülék nem sérült-e meg a szállítás közben. Amennyiben a léghevítőn sérülések láthatók, forduljon haladéktalanul ahhoz a márkakereskedőhöz, ahol a terméket vásárolta.

►►3. ÖSSZESZERELÉS

Néhány modell kerekkel, fogantyúkkal, tartóelemekkel és tápvezetékekkel is fel van szerelve. Ezek az egységek a felszereléshez szükséges csavarokkal együtt a csomagolás belsejében található. Szerelje őket fel még a légfúvó első bekapcsolása előtt.

►►4. VEZÉRLŐPANEL

(2. Ábra)

- A. Teljesítmény választó kapcsoló;
- B. A készülék bekapcsolását jelző lámpa;
- C. A készülék meghibásodását jelző lámpa;
- D. Környezeti levegő termosztát csatlakozó;
- E. „RESET” gomb.

►►5. MŰKÖDÉS

FIGYELMEZTETÉS! A készülék megfelelő használata és a kockázatok elkerülése érdekében, olvassa el még a készülék bekapcsolása előtt, és a továbbiakban kövesse a „BIZTONSÁGI SZABÁLYOK” c. fejezet utasításait.

FIGYELMEZTETÉS! Ellenőrizze, hogy a tápvezeték teljesen ép-e, és a hálózat jellemzői megegyeznek-e a léghevítő műszaki adattábláján feltüntetett jellemzőkkel.

FIGYELMEZTETÉS! A készülék tartozékainak felszerelése előtt ne használja a légfűvót, és a bekapcsolás előtt győződjön meg arról, hogy a léghevítőt teljesen sík, stabil és vízszintes felületre helyezte el.

►► 5.1. BEKAPCSOLÁS:

►5.1.1. Csatlakoztassa a hálózati csatlakozót a konnektorba (3. Ábra).

►5.1.2. Csatlakoztassa a környezeti levegő termosztátot (4. Ábra) (A léghevítő termosztát nélkül a maximális fűtési teljesítményen üzemel).

►5.1.3. Fordítsa el a teljesítmény választó kapcsolót a kívánt helyzetbe (2. Ábra, A). A következő beállítások lehetségesek:

- Ha a kapcsolót a „VENILÁTOR” helyzetbe fordítja, a léghevítő kizárólag a levegő keringtetését végzi.

- Ha a kapcsolót „FŰTÉS” helyzetbe fordítja, a léghevítő maximális teljesítményen fűt.

FIGYELEM: A LÉGHEVÍTŐ MEGFELELŐ MŰKÖDÉSÉT EGY SOR ÉRZÉKELŐ ELLENŐRZI, AMELYEK LEÁLLÍTJÁK A KÉSZÜLÉKET, HA SÚLYOS ÜZEMZAVAR LÉP FEL. A LÉGHEVÍTŐ VISSZAKAPCSOLÁSA NEM MEGY VÉGBE AUTOMATIKUSAN, A KÉSZÜLÉKET KÉZZEL KELL VISSZAKAPCSOLNI. VÁRJA MEG, HOGY A LÉGHEVÍTŐ TELJESEN KIHŰLJÖN, SZÜNTESSE MEG A LEÁLLÁS OKÁT (PL. TEGYE SZABADDÁ A LEFEDT LEVEGŐ BESZÍVÓ NYÍLÁST, BIZTOSÍTSA AZ ELEGENDŐ LEVEGŐMENNYISÉGET, STB.) NYOMJA MEG A „RESET” GOMBOT (5. Ábra), ÉS ELLENŐRIZZE, HOGY A „LÉGHEVÍTŐ MEGHIBÁSODÁSÁT JELZŐ LED (2. Ábra, C)” KIALSZIK-E. HA A KÉSZÜLÉKET NÉHÁNY KÍSÉRLETTEL NEM SIKERÜL VISSZAKAPCSOLNI, ÉS TOVÁBBRA SEM MŰKÖDIK, LÉPJEN KAPCSOLATBA A VEVŐSZOLGÁLATTAL.

►► 5.2. KIKAPCSOLÁS:

►5.2.1. Állítsa a teljesítmény választó kapcsolót „OFF/0” helyzetbe (2. Ábra, A), és hagyja, hogy a ventilátor tovább működjön a készülék teljes kikapcsolásáig.

►5.2.2. Válassza le a készüléket az áramforrásról.

FIGYELEM: NE HÚZZA VÁLASSZA LE A KÉSZÜLÉKET AZ ÁRAMFORRÁSRÓL, MIELŐTT A VENTILÁTOR TELJESEN MEGÁLLNA, MERT A KÉSZÜLÉK SÚLYOSAN KÁROSODHAT.

►► 6. TÁROLÁS

Húzza ki mindig a hálózati csatlakozót a konnektorból (10. Ábra), és mielőtt a léghevítőt elrakná, várja meg, hogy teljesen kihűljön. Helyezze a készüléket száraz, portól védett helyre. Mielőtt a léghevítőt ismét használná, ellenőrizze a tápvezeték állapotát. Ha kétségei merülnének fel a vezeték állapotával kapcsolatban, forduljon a vevőszolgálathoz. Minden esetben ellenőriztesse évente legalább egyszer és/vagy szükség szerint akár gyakrabban is a műszaki szolgálattal a léghevítő működését.

►► 7. A TÁVOLI KÖRNYEZETI LEVEGŐ TERMOZTÁT CSATLAKOZTATÁSA

Távolítsa el a léghevítőhöz csatlakoztatott fedelet, majd kösse be a távoli környezeti levegő termosztátot (4. Ábra).

FIGYELEM: A HELYES MŰKÖDÉSHEZ CSATLAKOZTATNI KELL A LÉGHEVÍTŐHÖZ A FEDEKET, VAGY A TERMOZTÁTOT, MÁSKÜLÖNBEN NEM KAPCSOL BE.

►► 8. PROBLÉMA FELTÁRÁSA

PROBLÉMA	LEHETSÉGES OK	LEHETSÉGES MEGOLDÁS
A léghevítő nem működik	1. A teljesítmény választó kapcsoló „0/OFF” helyzetben áll 2. A termosztát bekötése vagy beállítása hibás 3. Áram hiány 4. A melegítő leállt	1. Fordítsa a teljesítmény választó kapcsolót a kívánt helyzetbe 2a. Igazítsa meg a termosztát csatlakozóját 2b. Ellenőrizze, hogy a termosztáton beállított hőmérséklet magasabb-e mint a külső levegő hőmérséklete 2c. Ellenőrizze, hogy a termosztát csatlakozójára való sapka megfelelően fel van-e helyezve 3a. Csatlakoztassa megfelelően a hálózati csatlakozót. 3b. Ellenőrizze, hogy az elektromos hálózat megfelelően működik-e 3c. Forduljon a vevőszolgálathoz 4a. Kapcsolja vissza a léghevítőt 4b. Forduljon a vevőszolgálathoz
A motor nem működik	1. A motor meghibásodott 2. A lapát elakadt	1. Forduljon a vevőszolgálathoz 2a. Szüntesse meg az eltömődést 2b. Forduljon a vevőszolgálathoz
A léghevítő nem melegít	1. A teljesítmény választó kapcsoló „LÉGKEVERÉS” helyzetben van 2. A belső rendszer hibás	1. Fordítsa a teljesítmény választó kapcsolót „FŰTÉS” helyzetbe 2. Forduljon a vevőszolgálathoz
A levegő mennyisége csökken	1. A levegő beszívó nyílás le van fedve 2. A motor meghibásodott	1a. Szüntesse meg az eltömődést 1b. Forduljon a vevőszolgálathoz 2. Forduljon a vevőszolgálathoz

►► 1. INFORMACIJE O VARNOSTI

(Sl. 1)

Ta serija grelnikov zraka je še posebej primerna za doseganje in ohranjanje visokih temperatur (~ 60°C / 140°F), in sicer v zaprtih prostorih, ki so ustrezno izolirani in dimenzionirani. Ti grelniki so skladi z veljavno evropsko direktivo.

POMEMBNO: Pred montažo, prvim zagonom in vzdrževalnimi posegi na tem grelniku preberite uporabniška navodila in se seznanite z njegovo vsebino. Napačna uporaba grelnika ima lahko za posledico hude poškodbe. Ta navodila skrbno shranite in jih imejte vedno pri roki.

POMEMBNO: Tega grelnika naj ne uporabljajo osebe z zmanjšanimi fizičnimi, senzoričnimi ali umskimi sposobnostmi (vključno z otroki) oziroma s premalo izkušnjami ali znanja, razen če jih pri tem nadzoruje ali usmerja oseba, zadolžena za njihovo varnost. Otroke je treba imeti pod nadzorom, da se z grelnikom ne bi igrali.

POMEMBNO: Vsi postopki čiščenja, vzdrževanja in popraviljanja, ki zahtevajo dostop do nevarnih delov (kot na primer zamenjava poškodovanega kabla za napajanje), morajo biti izvedene s strani proizvajalca, njegovega servisa za tehnično podporo, osebe, ki je na podoben način usposobljena, da bi se preprečilo vsakršno nevarnost, tudi v primeru izklopa iz elektrike.

POMEMBNO: Pri uporabi grelnika spoštujte vse lokalne predpise in veljavno zakonodajo.

POMEMBNO: Ta grelnik lahko doseže visoke temperature. Z namenom preprečevanja hudih poškodb je treba grelnik varno uporabljati, in sicer je treba biti pozoren, da v okolju ni prisotnih materialov, predmetov, itd., ki so občutljivi na visoke temperature (~ 60°C / 140°F).

► 1.1. Grelnik, ki se nahaja blizu ponjav, pregrinjali ali drugih podobnih prekrivnih materialov, mora biti na varni razdalji od le-teh.

► 1.2. Grelnik držite na varni razdalji od vlage, vode in vremenskih vplivov, s čimer na njem preprečite hude poškodbe.

► 1.3. Ohranite varno razdaljo med vnetljivimi ali termolabilnimi materiali (vključno z napajalnim kablom) in grelnikom.

► 1.4. Ko je grelnik vroč ali priključen na električno omrežje, ali delujoč, ga ne smete nikoli premikati, niti na njem izvrševati nobenega vzdrževalnega posega.

► 1.5. Vroč ali delujoč grelnik je treba postaviti na stabilno in ravno podlago, ter se tako izogniti tveganjem požara.

► 1.6. Živali morate držati na varni razdalji od grelnika.

► 1.7. Grelnik je potrebno priključiti na električno napajalno omrežje s takšnimi specifikami napetosti in frekvence, ki so navedene na identifikacijski tablici grelnika.

► 1.8. Grelnik priključite le na električno omrežje z ustreznim stikalom na diferenčni tok in primerno ozemljitvijo.

► 1.9. Če je napajalni kabel poškodovan, ga mora zamenjati servisni center, tako da se izognete vsakemu tveganju.

► 1.10. Ko grelnika ne uporabljate, ga izključite iz omrežja.

► 1.11. Vsakič, ko grelnik začasno pustite v nevarnih pogojih, se prepričajte, da ne more biti uporabljen, ter ga vedno izključite iz omrežja.

► 1.12. Nikoli ne ovirajte, niti delno, vhoda za zrak in izhoda zraka grelnika. Grelnik ima zelo močan ventilator, med uporabo mora biti prostor ob ventilatorju čist in brez predmetov, ki bi jih lahko posesal.

► 1.13. Izogibajte se kanaliziranju zraka, razen v primeru originalnega kompleta (kjer je predviden).

► 1.14. Med ogrevanjem grelnika ne prekrivajte, lahko se pregreje.

► 1.15. Najmanj enkrat letno in/ali po potrebi naj pravilno delovanje grelnika preveri servisni center.

PROIZVAJALEC ZAVRAČA VSAKRŠNO ODGOVORNOST ZA POŠKODBE PREDMETOV IN/ALI OSEB ZARADI NEPRIMERNE UPORABE GRELNICA.

POSEGE NA GRELNIKU SME IZVAJATI LE SPECIALIZIRANO IN POOBLAŠČENO OSEBJE.

►► 2. ODSTRANJEVANJE EMBALAŽE

OPOZORILO: Embalaža ni igrača za otroke. Plastično embalažo shranjujte izven dosega otrok; nevarnost zadušitve!

► 2.1. Odstranite vse uporabljene materiale embalaže in odpreme grelnika ter jih odložite v skladu z veljavnimi predpisi.

► 2.2. Vse artikle vzemite iz embalaže.

► 2.3. Preverite, da se med prevozom ni poškodoval. Če opazite, da je poškodovan, takoj obvestite koncesionarja, kjer ste ga kupili.

►► 3. SESTAVLJANJE

Določeni modeli so lahko opremljeni s kolesi, ročkami, oporami in napajalnim kablom. Mehanski sestavni deli, ki vključujejo vijake za montažo, se nahajajo v embalaži grelnika in jih je treba sestaviti pred vklopom.

►► 4. KONTROLNA PLOŠČA

(Sl. 2)

A. Stikalo za moč;

B. Signalna lučka za prisotnost napetosti;

C. Signalna lučka za opozarjanje, da je naprava blokirana;

D. Vtičnica sobnega termostata;

E. Gumb "PONASTAVITEV".

►► 5. DELOVANJE

OPOZORILO: Z namenom pravilnega delovanja in izogibanja tveganjem je potrebno prebrati, razumeti in slediti „INFORMACIJAM GLEDE VARNOSTI“ preden začnete grelnik uporabljati.

OPOZORILO: Prepričajte se v popolno brezhibnost napajalnega kabla, in preverite, da značilnosti električnega omrežja odgovarjajo tistim, ki so navedene na tablici s tehničnimi podatki grelnika.

OPOZORILO: Nikoli ne uporabljajte grelnika, ne da bi prej pravilno namestili vse sestavne dele ter se prepričajte, da je grelnik postavljen na popolnoma ravni, stabilni in nivelirani površini.

►► 5.1. VKLOP:

► 5.1.1. Povežite vtičnico grelnika z električnim omrežjem (Sl. 3).

► 5.1.2. Povežite sobni termostat z grelnikom (Sl. 4) (Grelnik brez povezanega sobnega termostata bo delal na maksimalni grelni moči).

► 5.1.3. Obrnite stikalo za moč na zelen način delovanja (A Sl. 2). Možne so naslednje nastavitve:

- S premikom stikala za moč na "VENTILATOR", bo grelnik deloval izključno v načinu ventilacije.

- S premikom stikala za moč na "OGREVANJE", bo grelnik deloval na maksimalni moči ogrevanja.

POZOR: SERIJA SENZORJEV PREVERJA PRAVILNO DELOVANJE GRELNICA TER BLOKIRA APARAT V PRIMERU HUDE ANOMALIJE. PONASTAVITEV GRELNICA NI AVTOMATSKA, OPRAVITI JO JE POTREBNO ROČNO. POČAKAJTE, DA SE GRELNİK POPOLNOMA OHLADI, ODPRAVITE MOŽEN VZROK, KI JE PRIPELJAL DO BLOKAD GRELNICA (NPR. OVIRA NA ZAJEMU ZRAKA, NEZADOSTNI DOTOK ZRAKA, ITD.) IN DO KONCA PRITISNITE GUMB "PONASTAVITEV" (Sl. 5), PREPRIČAJTE SE, DA SE "SIGNALNA LUČKA ZA BLOKADO GRELNICA (C Sl. 2)" UGASNE. ČE PO NEKAJ POIZKUSIH PONASTAVITVE GRELNİK NE BI DELOVAL, KONTAKTIRAJTE TEHNIČNO POMOČ.

►► 5.2. IZKLOP:

► 5.2.1. Stikalo za moč premaknite v položaj "0/OFF" (A Sl. 2) in pustite, naj ventilator deluje, dokler se grelnik ne izklopi pravilno.

► 5.2.2. Grelnik izključite iz električnega omrežja.

POZOR: GRELNICA NE IZKLJUČUJTE IZ ELEKTRIČNEGA OMREŽJA PREDEN SE VENTILATOR POPOLNOMA USTAVI, SAJ S TEM LAHKO POVZROČITE HUDE POŠKODBE.

►► 6. SHRANJEVANJE

Grelnik vedno izključite iz električnega omrežja (Sl. 10), ko ga ne uporabljate, ali preden ga pospravite, počakajte nekaj minut, da se popolnoma ohladi. Pospravite ga v suh prostor, ki je zaščiten pred prahom. Ko grelnik ponovno uporabite, preverite stanje vzdrževanja napajalnega kabla; če dvomite v dobro ohranjenost, se obrnite na tehnično pomoč. V vsakem primeru naj najmanj enkrat letno in/ali po potrebi naj pravilno delovanje grelnika preveri servisni center.

►► 7. POVEZAVA DALJINSKIM SOBNIM TERMOSTATOM

Odstranite pokrovček, povezan z grelnikom, in povežite daljinski termostat (Sl. 4).

POZOR: ZA PRAVILNO DELOVANJE MORA BITI GRELNİK POVEZAN S POKRIVNO KAPICO ALI Z DALJINSKIM TERMOSTATOM, SICER SE GRELNİK NE BO PRIŽGAL.

►► 8. IDENTIFIKACIJA TEŽAVE

TEŽAVA	MOŽEN VZROK	MOŽNA REŠITEV
Grelnik ne dela	1. Stikalo za moč v položaju "0/OFF" 2. Povezava ali nastavev okoljskega termostata napačna 3. Ni napajanja 4. Grelnik je blokiran	1. Obrnite stikalo za moč na zelen način delovanja 2a. Pravilno vstavite vtič sobnega termostata 2b. Preverite, ali je temperatura, nastavljena na okoljskem termostatu višja od zunanje temperature 2c. Preverite, ali je kapica vtičnice termostata pravilno vstavljena 3a. Vtič pravilno vstavite v električno omrežje 3b. Preverite pravilno delovanje vašega električnega omrežja 3c. Obrnite se na servisni center 4a. Grelnik ponastavite 4b. Obrnite se na servisni center
Motor ne dela	1. Motor okvarjen 2. Ventilator blokiran	1. Obrnite se na servisni center 2a. Odstranite ovire 2b. Obrnite se na servisni center
Grelnik ne greje	1. Stikalo za moč v položaju "VENTILACIJA" 2. Notranja aparatura okvarjena	1. Obrnite stikalo za moč na "OGREVANJE" 2. Obrnite se na servisni center
Zmanjšan pretok zraka	1. Zajem zraka oviran 2. Motor okvarjen	1a. Odstranite ovire 1b. Obrnite se na servisni center 2. Obrnite se na servisni center

►►1. GÜVENLİK HAKKINDA BİLGİLER

(Şek. 1)

Bu hava ısıtıcı serisi, özellikle gerekli biçimde yalıtılmış ve boyutlandırılmış kapalı ortamlarda yüksek sıcaklık (~ 60°C / 140°F) elde etmek ve bunu muhafaza etmeye uygundur. Bu ısıtıcılar yürürlükteki Avrupa Birliği Direktifine uygundur.

ÖNEMLİ: Bu cihazın montaj, çalıştırma ve bakımını yapmadan önce bu uygulama kılavuzunu okuyun ve anlayın. Isıtıcının hatalı kullanımı ciddi yaralanmalara neden olabilir. Bu kılavuzu gelecekte danışmak üzere muhafaza edin.

ÖNEMLİ: Bu cihaz, düşük fiziksel, zihinsel ve algılama kapasiteli veya güvenliklerinden sorumlu bir kişinin gözetimi altında olmaksızın uzman olmayan kişilerin (küçük çocuklar dahil) kullanımına uygun değildir. Küçük çocukların ısıtıcıyla oynamadıklarından emin olmak için kontrol edilmelidirler.

ÖNEMLİ: Tehlikeli bölgelere erişimi gerektiren bütün temizlik, bakım ve onarım işlemleri (hasarlı güç kablosunun değiştirilmesi gibi), elektrik şebekesi ile bağlantının kesilmesine rağmen, her türlü riski önleyecek şekilde, üretici firma, teknik servis merkezi, vasıflı personel veya benzeri kişiler tarafından yapılmalıdır.

ÖNEMLİ: Isıtıcının kullanımı sırasında tüm yerel emirler ve geçerli düzenlemelere uyun.

ÖNEMLİ: Bu ısıtıcı yüksek sıcaklıklara ulaşabilir. Hasarların önüne geçmek için ısıtıcıyı ortamda yüksek sıcaklıklara (~ 60°C / 140°F) hassas materyaller, objeler, vs. bulunmamasına azami dikkat göstererek, güvenlik içinde kullanmak temel koşuldur.

►1.1. Perde, örtü veya diğer kaplama benzeri materyallerin yakınında kullanılan ısıtıcılar, bunlar ile arasında güvenlik mesafesi bırakılarak yerleştirilmelidir.

►1.2. Isıtıcıya gelebilecek ciddi hasarları önlemek için ısıtıcıyı nem, su ve hava şartlarından güvenlik mesafesinde tutun.

►1.3. Yanıcı veya sıcaktan etkilenen (elektrik kablosu dahil) kısımları ısıtıcının sıcak kısımlarından uygun bir mesafede tutun.

►1.4. Isıtıcı sıcakken veya elektrik şebekesine bağlıyken ya da çalışır haldeyken asla yeri değiştirilmemeli, kurcalanmamalı veya hiçbir bakım operasyonuna tabii tutulmamalıdır.

►1.5. Sıcak veya çalışan ısıtıcıyı, yangın risklerini önlemek için dengeli ve düz bir zemine yerleştirin.

►1.6. Hayvanları ısıtıcıdan güvenlik mesafesinde tutun.

►1.7. Isıtıcıyı yalnızca, tanıtıcı plaka üzerinde belirtilen gerilim ve frekansa sahip akım ile besleyin.

►1.8. Isıtıcıyı sadece diferansiyel anahtar ve uygun toprak hattı bağlantısına uygun şekilde sahip elektrik şebekelerine bağladığınızdan emin olun.

►1.9. Besleme kablosu hasarlıysa, her riski önleyecek şekilde teknik servis merkezi tarafından değiştirilmelidir.

►1.10. Kullanılmadığı zaman, ısıtıcıyı şebeke prizinden ayırın.

►1.11. Cihaz geçici olarak güvenli olmayan koşullarda bırakılacaksa, kullanılmayacak şekilde bırakın ve daima fişini prizden çıkarın.

►1.12. Isıtıcının, kısmen de olsa, hava girişi (arka taraf) ve hava çıkışı (ön taraf) asla kapatmayın. Isıtıcı çok güçlü bir fana sahiptir, kullanım sırasında etrafındaki alanın temiz olması ve orada aspire edilebilecek objelerin bulunmaması gerekir.

►1.13. Havayı yönlendirmekten kaçının, eğer orijinal kit ile değilse (öngörüldüğü yerde).

►1.14. Çalışması sırasında ısıtıcıyı kapatmayın, aşırı ısıya yapabilir.

►1.15. Isıtıcının doğru çalıştığını en az yılda bir kez ve/veya gerektiğine göre teknik servise kontrol ettirin.

ÜRETİCİ FİRMA ISITICININ UYGUN OLMAYAN KULLANILMASINDAN KAYNAKLANAN, EŞYALARA VE/VEYA KİŞİLERE GELEN VEYA MADDİ ZARARLARA AİT HER TÜRLÜ SORUMLULUĞU REDDEDER.

YALNIZCA UZMAN VE ÜRETİCİ FİRMA TARAFINDAN İZİNLİ PERSONEL ISITICIYA MÜDAHELE EDEBİLİR.

►►2. AMBALAJ AÇMA

UYARI: Ambalaj malzemesi çocuklar için bir oyuncak değildir. Plastik torbayı çocukların ulaşabileceği yerlerden uzak tutun; boğulma tehlikesi!

►2.1. Isıtıcıyı paketlemek ve göndermek için kullanılan tüm ambalaj malzemelerini kaldırın ve geçerli kanunlara göre ortadan kaldırın.

►2.2. Tüm parçaları ambalajdan çıkartın.

►2.3. Taşıma sırasında oluşabilecek olası hasarları kontrol edin. Eğer ısıtıcı hasarlı görünüyorsa, derhal satın alındığı acentayı bilgilendirin.

►►3. AMBALAJLAMA

Bazı modeller tekerler, kollar, destekler ve güç besleme kablosuyla donatılmış olabilirler. Montaj için gerekli civata ve somunlarla birlikte sağlanan mekanik aksamlar cihazın ambalajının içindedir ve cihaz çalıştırılmadan önce birleştirilmelidir.

►►4. KUMANDA PANELİ

(Şek. 2)

- A. Güç selektörü;
- B. Gerilim varlığı ikaz lambası;
- C. Makine bloke ikaz lambası;
- D. Oda termostatı prizi;
- E. Düğme "RESET".

►►5. İŞLEYİŞ

UYARI: Doğru bir kullanım için ve riskleri önlemek amacıyla, cihazı çalıştırmadan önce "GÜVENLİK HAKKINDA BİLGİLERİ" dikkatle okuyun.

UYARI: Kablonun sağlam olduğundan ve elektrik şebekesinin özelliklerinin, ısıtıcının teknik veri levhasında belirtilenlere uygun olduğundan emin olun.

UYARI: Isıtıcıyı tüm parçalarını monte etmeden önce kullanmayın ve ısıtıcının tamamen yatay, sağlam ve düz bir yüzeye yerleştirildiğinden emin olun.

►► 5.1. ÇALIŞTIRMA:

► 5.1.1. Isıtıcı prizini elektrik şebekesine bağlayın (Şek. 3).

► 5.1.2. Oda termostatını ısıtıcıya bağlayın (Şek. 4) (oda termostatu bağlı olmayan ısıtıcı maksimum ısıtma gücünde çalışacaktır).

► 5.1.3. Güç selektörünü istenen yöntemde çevirin (Şek. 2). Aşağıdaki ayarlamalar mümkündür:

• Güç selektörünü "FAN" üzerine yerleştirince ısıtıcı yalnızca havalandırma modunda çalışacaktır.

• Güç selektörünü "ISITMA" üzerine yerleştirince ısıtıcı maksimum ısıtma gücünde çalışacaktır.

DİKKAT: BİR GRUP SENSÖR, CİDDİ BİR ANORMAL-LİK DURUMUNDA CİHAZI DURDURARAK ISITICININ DOĞRU ÇALIŞMASINI TETKİK EDERLER. ISITICININ YENİDEN BAŞLATILMASI OTOMATİK DEĞİLDİR, MANÜEL OLARAK YAPILMASI GEREKİR. ISITICININ TAMAMEN SOĞUMASINI BEKLEYİN, ISITICIYI BLOKE EDEN MUHTEMEL SEBEBİ ORTADAN KALDIRIN (ÖRN. HAVA GİRİŞİ ENGELİ, YETERSİZ HAVA MİKTARI, VB.) VE "RESET" DÜĞMESİNE BASIN (Şek. 5), "ISITICI BLOKE İKAZ LAMBASININ (C Şek. 2)" KAPANDIĞINI TETKİK EDEREK. EĞER BAZI YENİDEN BAŞLATMA DENEMELERİNDEN SONRA, ISITICI ÇALIŞMIYORSA, TEKNİK SERVİS İLE İLETİŞİME GEÇİN.

►► 5.2. KAPATMA:

► 5.2.1. Güç selektörünü "0/OFF" pozisyonunda getirin (A Şek. 2)ve ısıtıcının tamamen kapanmasına kadar fanı çalışmaya bırakın.

► 5.2.2. Isıtıcının bağlantısını elektrik şebekesinden kesin.

DİKKAT: CİDDİ HASARLARI ÖNLEMELİK İÇİN FANIN TAMAMEN DURDURULMASINDAN ÖNCE, ISITICIYI ELEKTRİK ŞEBEKESİNDEN KESMEKTEN KAÇININ.

►► 6. MUHAFAZA

Isıtıcıyı elektrik şebekesinden her zaman ayırın (Şek. 10), kullanılmadığı zaman ve kaldırmadan önce, tamamen soğuması için bir kaç dakika bekleyin. Kuru ve tozdan korunan bir ortamda saklayın. Cihaz tekrar kullanıldığı zaman, güç besleme kablosunun bakım durumunu kontrol edin, sağlamlığından şüphe duymanız halinde teknik servis çağırın. Her durumda ısıtıcının doğru çalıştığını en az yılda bir kez ve/veya gerektiğine göre teknik servise kontrol ettirin.

►► 7. UZAKTAN ODA TERMOSTATI BAĞLANTISI

Isıtıcıya bağlı kapağı çıkartın ve uzaktan oda termostatını bağlayın (Şek. 4).

DİKKAT: DOĞRU BİR İŞLEYİŞ İÇİN, ISITICI VEYA PRİZ KAPAĞI, YA DA UZAKTAN ODA TERMOSTATI BAĞLI OLMALIDIR, AKSİ HALDE ISITICI ÇALIŞMAYACAKTIR.

►► 8. PROBLEMİN SAPTANMASI

PROBLEM	OLASI NEDEN	OLASI ÇÖZÜM
Isıtıcı çalışmıyor	1. Güç selektörü "0/OFF" pozisyonunda 2. Oda termostatu hatalı bağlantı ve ayarlama 3. Güç beslemesi yok 4. Isıtıcı bloke oldu	1. Güç selektörünü istenen çalışma biçimine getirin 2a. Oda termostatu fişini doğru şekilde takın 2b. Oda termostatına ayarlanan sıcaklığın dış sıcaklıktan daha fazla olduğunu tetkik edin 2c. Termostat prizinin kapağının doğru takıldığını tetkik edin 3a. Prizi elektrik beslemesine doğru şekilde takın 3b. Elektrik sisteminizin doğru çalışmasını tetkik edin 3c. Teknik servis merkezine başvurun 4a. Isıtıcıyı yeniden başlatın 4b. Teknik servis merkezine başvurun
Motor çalışmıyor	1. Motor arızalı 2. Fan bloke oldu	1. Teknik servis merkezine başvurun 2a. Engelleri kaldırın 2b. Teknik servis merkezine başvurun
Isıtıcı ısıtmıyor	1. Güç selektörü "HAVALANDIRMA" pozisyonunda 2. Teçhizat iç arızası	1. Güç selektörünü "ISITMA" biçimine getirin 2. Teknik servis merkezine başvurun
Hava akışı azaltıldı	1. Hava girişi engellendi 2. Motor arızalı	1a. Engelleri kaldırın 1b. Teknik servis merkezine başvurun 2. Teknik servis merkezine başvurun

►►1. INFORMACIJE O SIGURNOSTI

(Sl. 1)

Ova serija grijača toplog zraka je posebno pogodna za postizanje i održavanje, u zatvorenim prikladno izoliranim prostorima odgovarajućih dimenzija, visokih temperatura (~ 60°C / 140°F). Ovi grijači su sukladni važećoj europskoj direktivi.

VAŽNO: Pročitati i razumjeti ovaj priručnik prije sklapanja, puštanja u rad ili održavanja ovog grijača. Nepravilno korištenje grijača može prouzročiti teške ozljede. Čuvati ovaj priručnik za buduće konzultacije.

VAŽNO: Ovaj grijač nije namijenjen korištenju od strane osoba (uključujući djecu) koje imaju smanjene fizičke, osjetne i mentalne sposobnosti osim u slučaju kada ih nadgleda osoba odgovorna za njihovu sigurnost. Potrebno je neprestano nadgledati djecu kako bi se spriječilo da se igraju s grijačem.

VAŽNO: Sve operacije čišćenja, održavanja i popravljivanja koje predviđaju pristup opasnim dijelovima (poput zamjene oštećenog kabla za napajanje) mora izvoditi proizvođač, njegova tehnička služba za potporu, osoba sličnih kvalifikacija, u cilju sprečavanja bilo koje vrste rizika, također kada je predviđeno isključivanje iz mreže za napajanje.

VAŽNO: Tijekom uporabe grijača, pridržavati se svih važećih lokalnih i državnih propisa.

VAŽNO: Ovaj grijač može dostići visoke temperature. U cilju izbjegavanja teških oštećenja, temeljno je upotrebljavati grijač u sigurnosti, izrazito paziti da u okolini nisu prisutni materijali, predmeti, itd., koji su osjetljivi na visoke temperature (~ 60°C / 140°F).

►1.1. Grijač koji se koristi u blizini cerada, zavjesa ili drugih sličnih materijala za pokrivanje se mora postaviti na sigurnosnu udaljenost.

►1.2. Grijač držati na sigurnosnoj udaljenosti od vlage, vode i atmosferskih utjecaja kako bi se izbjegla ozbiljna oštećenja.

►1.3. Održavati prikladnu udaljenost od zapaljivih materijala ili onih nepostojanih na toplinu (uključujući i kabel za napajanje) od vrućih dijelova grijača.

►1.4. Kada je grijač topao ili povezan na električnu mrežu ili dok je u radu, nikada se ne smije pomicati, njime se ne smije rukovati niti se smiju izvoditi zahvati održavanja.

►1.5. Staviti topli grijač ili grijač u radu na stabilnu i niveliranu površinu kako bi se izbjegao rizik od požara.

►1.6. Potrebno je držati životinje na sigurnosnoj udaljenosti od grijača.

►1.7. Napajati grijač isključivo strujom s naponom i frekvencijom navedenim na identifikacijskoj pločici grijača.

►1.8. Provjeriti da je grijač povezan isključivo na električnu mrežu opremljenu diferencijalnim sklopnikom i odgovarajućim uzemljenjem.

►1.9. Ako je kabel za napajanje oštećen, treba ga zamijeniti tehnička služba za potporu kako bi se spriječilo nastajanje bilo kojeg rizika.

►1.10. Iskopčati grijač iz mrežne utičnice kada nije u uporabi.

►1.11. Ukoliko se grijač privremeno ostavi u nesigurnim uvjetima, potrebno se je pobrinuti da ga se

ne može upotrebljavati i u svakom slučaju potrebno ga je iskopčati iz električne mreže.

►1.12. Ne blokirati, čak niti djelomično, otvor za zrak, niti izlaz za zrak grijača. Grijač ima snažan ventilator, tijekom uporabe, okolina mora biti čista i bez predmeta koji bi se mogli usisati.

►1.13. Izbjegavati usmjeravanje zraka, osim pomoću originalnih kompleta za usmjeravanje zraka (tamo gdje su predviđeni).

►1.14. Ne pokrivati jer bi moglo doći do pregrijavanja.

►1.15. Najmanje jednom godišnje i/ili prema potrebi tehnička servisna služba treba provjeriti ispravan rad grijača.

PROIZVOĐAČ ODBIJA SVAKU ODGOVORNOST ZA ŠTETE NASTALE NA PREDMETIMA I/ILI NANIJETE OSOBAMA KOJE SU POSLJEDICA NEPRAVILNE UPORABE GRIJAČA.

SAMO SPECIJALIZIRANO OSOBLJE I OSOBLJE OVLAŠTENO OD STRANE PROIZVOĐAČA SMIJE INTERVENIRATI NA GRIJAČU.

►►2. UKLANJANJE AMBALAŽE

UPOZORENJE: Ambalažni materijal nije igračka za djecu. Držati plastičnu vrećicu daleko od dohvata djece; postoji opasnost od gušenja!

►2.1. Ukloniti sav ambalažni materijal korišten za pakiranje i isporuku grijača i odložiti ga prema važećim propisima.

►2.2. Izvaditi sve artikle iz pakiranja.

►2.3. Provjeriti moguće štete nastale tijekom prijevoza. Ako je grijač oštećen, odmah obavijestiti trgovca kod kojeg je isti kupljen.

►►3. SASTAVLJANJE

Pojedini modeli mogu imati kotače, ručke, nosače i kabel za napajanje. Mehanički dijelovi, uključujući i odgovarajuće vijke za montažu, se nalaze u pakiranju grijača te se moraju postaviti prije uključivanja grijača.

►►4. UPRAVLJAČKA PLOČA

(Sl. 2)

A. Preklopnik za napajanje;

B. Lampica za prisustvo napona;

C. Lampica za stroj u blokadi;

D. Utičnica prostornog termostata;

E. Gumb za „RESET“/PONIŠTAVANJE POSTAVKI.

►►5. RAD

UPOZORENJE: Za ispravnu uporabu i radi izbjegavanja opasnosti koje proizlaze iz uporabe grijača, potrebno je pročitati, razumjeti i slijediti „INFORMACIJE O SIGURNOSTI“ prije puštanja grijača u rad.

UPOZORENJE: Provjeriti da je kabel za napajanje u savršenom stanju i da svojstva električne mreže odgovaraju onima navedenim na pločici sa tehničkim podacima grijača.

UPOZORENJE: Nikada ne koristiti grijač bez da su prethodno svi dijelovi ispravno postavljeni, te se treba uvjeriti da je grijač postavljen na savršeno ravnu stabilnu, i izravnanu površinu.

►► 5.1. ACCENSIONE:

► 5.1.1. Spojiti utikač grijača na električnu mrežu (Sl. 3).
► 5.1.2. Povezati prostorni termostad na grijač (Sl. 4) (Grijač bez povezanog prostornog termostata će raditi na najvišoj snazi grijanja).

► 5.1.3. Okrenuti preklopnik za napajanje na željeni način rada (A Sl. 2). Moguće su sljedeće postavke:

• Kada je preklopnik za napajanje postavljen na položaj „VENTILATOR“, grijač će raditi samo u načinu ventilatora.

• Kada je preklopnik za napajanje postavljen na položaj „GRIJANJE“, grijač će raditi na najvišoj snazi grijanja.

PAŽNJA: NIZ SENZORA PROVJERAVA PRAVILAN RAD GRIJAČA TE ZAUSTAVLJA RAD UREĐAJA U SLUČAJU OZBILJNIH NEPRAVILNOSTI. PONOVRNO UKLJUČENJE GRIJAČA NIJE AUTOMATSKO VEĆ SE MORA OBAVITI RUČNO. POTREBNO JE PRIČEKATI DA SE GRIJAČ U POTPUNOSTI OHLADI, OTKLONITI MOGUĆI RAZLOG KOJI JE DOVEO DO PRESTANKA RADA ODNOSNO BLOKIRANJA GRIJAČA (NA PRIMJER ZAČEPLJENJE OTVORA ZA ZRAK, NE DOVOLJNI PROTOK ZRAKA, ITD.) I PRITISNUTI DO KRAJA GUMB „RESET/PONIŠTAVANJE POSTAVKI“ (Sl. 5) TE PROVJERITI DA SE „LAMPICA KOJA SE UKLJUČUJE KADA JE GRIJAČ U BLOKADI (C Sl. 2)“ UGASILA. AKO NI POSLIJE NEKOLIKO POKUŠAJA PONOVRNOG USPOSTAVLJANJA GRIJAČ NE RADI, OBRATITI SE TEHNIČKOJ SLUŽBI ZA POTPORU.

►► 5.2. ISKLJUČIVANJE:

► 5.2.1. Postaviti preklopnik za napajanje na položaj „0/OFF (isključen)“ (A Sl. 2) i pustiti da ventilator radi sve dok se grijač u potpunosti ne isključi.

► 5.2.2. Iskopčati grijač s električne mreže.

PAŽNJA: IZBJEGAVATI ISKOPČAVANJE GRIJAČA S ELEKTRIČNE MREŽE PRIJE POTPUNOG ZAUSTAVLJANJA VENTILATORA, KAKO BI SE IZBJEGLA OZBILJNA OŠTEĆENJA.

►► 6. ČUVANJE

Uvijek iskopčati grijač s električne mreže (Sl. 10), kada nije u uporabi i prije odlaganja na njegovo mjesto, pričekati nekoliko minuta da se potpuno ohladi. Odložiti ga na suho mjesto i zaštititi ga od prašine. Kada se grijač ponovno stavi u uporabu, provjeriti stanje kabela za napajanje; ako je prisutna sumnja da nije u dobrom stanju, zatražiti pomoć tehničke službe za potporu. U svakom slučaju tehnička služba za potporu treba provjeriti ispravan rad grijača, barem jednom godišnje i/ili prema potrebi.

►► 7. POVEZIVANJE DALJINSKOG PROSTORNOG TERMOSTATA

Ukloniti čep povezan za grijač i spojiti daljinski prostorni termostad (Sl. 4).

PAŽNJA: ZA ISPRAVAN RAD, NA GRIJAČ MORA BITI SPOJEN POKLOPAC ILI, DALJINSKI PROSTORNI TERMOSTATO INAČE SE GRIJAČ NEĆE UKLJUČITI.

►► 8. PRONALAZENJE PROBLEMA

PROBLEM	MOGUĆI UZROK	MOGUĆE RJEŠENJE
Grijač ne radi	1. Preklopnik za napajanje je na položaju „0/OFF“ (isključen) 2. Prostorni termostad je pogrešno povezan ili ima pogrešne postavke 3. Nema napajanja 4. Grijač u blokadi	1. Postaviti preklopnik za napajanje na željeni način rada 2a. Ispravno umetnuti utikač prostornog termostata 2b. Provjeriti da je podešena temperatura na prostornom termostatu viša od prostorne temperature 2c. Provjeriti da je poklopac utikača termostata ispravno umetnut 3a. Na ispravan način umetnuti utikač u napajanje strujom 3b. Provjeriti ispravan rad vaših električnih instalacija 3c. Obratiti se tehničkom servisu 4a. Ponovno uspostaviti grijač 4b. Obratiti se tehničkom servisu
Motor ne radi	1. Motor je u kvaru 2. Blokirana lopatica	1. Obratiti se tehničkom servisu 2a. Ukloniti začepljenja 2b. Obratiti se tehničkom servisu
Grijač ne grije	1. Preklopnik za napajanje je na položaju „VENTILACIJA“ 2. Unutarnji uređaji su pokvareni	1. Postaviti preklopnik za napajanje na „GRIJANJE“ 2. Obratiti se tehničkom servisu
Protok zraka je smanjen	1. Otvor za zrak je začepljen 2. Motor je u kvaru	1a. Ukloniti začepljenja 1b. Obratiti se tehničkom servisu 2. Obratiti se tehničkom servisu

►►1. SAUGUMO INFORMACIJA

(1 Pav.)

Šios serijos karšto oro šildytuvai yra ypač skirti užtikrinti ir išlaikyti aukštą temperatūrą (~ 60 °C / 140 °F) tinkamai izoliuotose ir tinkamo dydžio uždaroje aplinkose. Šie šildytuvai atitinka galiojančios Europos direktyvos nuostatus.

SVARBU: Prieš montuodami, naudodami ar atlikdami šio šildytuvo priežiūros darbus, atidžiai perskaitykite šias naudojimo instrukcijas. Šildytuvą naudodami netinkamai, galite sunkiai susižeisti. Šias naudojimo instrukcijas saugokite ateičiai.

SVARBU: Šis šildytuvas nėra pritaikytas naudoti asmenims (ir vaikams), turintiems fizinių, jutiminių ir protinių sutrikimų, bei nepatyrusiems asmenims, nebent juos prižiūrėtų už jų saugumą atsakingas asmuo. Vaikus būtina prižiūrėti ir saugoti, kad jie nežaistų su šildytuvu.

SVARBU: Visus valymo, techninės priežiūros ir remonto darbus, kurių metu reikia patekti prie pavojingų dalių (pavyzdžiui, keičiant sugadintą maitinimo laidą), privalo atlikti gamintojas, jo techninės pagalbos tarnyba, panašios kvalifikacijos asmuo, kad būtų išvengta bet kokios rizikos net tuo atveju, jei numatytas išjungimas iš elektros energijos tinklo.

SVARBU: Naudodami šildytuvą, laikykitės visų vietinių taisyklių ir galiojančių reikalavimų.

SVARBU: Šis šildytuvas gali įkaisti iki aukštos temperatūros. Kad išvengtumėte didelės žalos, šildytuvą būtina naudoti saugiai, kuo didesnę dėmesį atkreipiant į tai, kad aplinkoje nebūtų aukštai temperatūrai (~ 60 °C / 140 °F) jautrių medžiagų, objektų ir t. t.

► 1.1. Šildytuvas, naudojamas šalia netoliese esančių brezentinių dangų, užuolaidų ar panašių medžiagų apdangalų, turi būti nuo jų saugiu atstumu.

► 1.2. Šildytuvą laikykite saugiu atstumu nuo drėgmės, vandens ir atmosferos veiksnių, kad šie jo nepažeistų.

► 1.3. Degias ar termolabilias medžiagas (įskaitant maitinimo laidą) laikykite atokiai nuo kaitrių šildytuvo dalių.

► 1.4. Jokiu būdu negalima šildytuvo perkelti, sukioti ar atlikti priežiūros darbų, kai jis yra įjungtas, įkaitęs ar prijungtas prie elektros tinklo.

► 1.5. Įkaitusį ar veikiantį šildytuvą pastatykite ant tvirto ir lygaus paviršiaus, kad išvengtumėte gaisro rizikos.

► 1.6. Gyvūnus laikykite saugiu atstumu nuo šildytuvo.

► 1.7. Šildytuvo maitinimui naudokite tik jo duomenų plokštelėje nurodytas įtampos ir dažnio elektros srovę.

► 1.8. Įsitinkite, kad šildytuvas būtų prijungiamas tik prie tinkamai įžeminto elektros tinklo su liekamios srovės įtaisu ir tinkamu įžeminimu.

► 1.9. Jei maitinimo laidas sugadintas, jį turi pakeisti techninės pagalbos centras, kad būtų išvengta bet kokio pavojaus.

► 1.10. Kai šildytuvo nenaudojate, išjunkite jį iš elektros lizdo.

► 1.11. Jei šildytuvas laikinai paliekamas nesaugiomis sąlygomis, įsitinkite, kad bet koku atveju jo nebus įmanoma naudoti ir visada išjunkite iš elektros lizdo.

► 1.12. Net ir dalinai neuždenkite šildytuvo oro įsiurbimo (galinėje dalyje) ir oro išeinamosios (priekinėje dalyje) angų. Šildytuvas turi labai galingą ventiliatorių ir naudojimo metu supanti aplinka turi būti švari ir be objektų, kuriuos jis galėtų įtraukti.

► 1.13. Oro kanalams įrengti naudokite tik originalius rinkinius (kur taikytina).

► 1.14. Neuždenkite veikiančio šildytuvo - gali perkaisti.

► 1.15. Bent kartą per metus ir (arba) prireikus kreipkitės į techninės pagalbos centrą, kad patikrintų, ar šildytuvas veikia tinkamai.

GAMINTOJAS NEPRISIIMA JOKIOS ATSAKOMYBĖS UŽ TURTUI IR (ARBA) ASMENIMS PADARYTĄ ŽALĄ, KILUSIĄ DĖL NETINKAMO ŠILDYTUVO NAUDOJIMO.

ŠILDYTUVĄ GALI TVARKYTI TIK SPECIALIZUOTAS IR GAMINTOJO ĮGALIJOTAS PERSONALAS.

►►2. IŠPAKAVIMAS

ĮSPĖJIMAS: Pakuotės medžiaga nėra skirta vaikams žaisti. Plastiko maišelį laikykite vaikams nepasiekiamoje vietoje; pavojus uždusti!

► 2.1. Pašalinkite visas šildytuvo pakuotei ir siuntimui naudotas pakavimo medžiagas ir jas sutvarkykite pagal galiojančias taisykles.

► 2.2. Ištraukite visas detales iš pakuotės.

► 2.3. Patikrinkite, ar gabenant nebuvo padaryta žalos. Jei pastebėjote pažeidimų, nedelsdami apie tai informuokite pardavėją, iš kurio įsigijote įrenginį.

►►3. SURINKIMAS

Kai kurie modeliai gali turėti ratukus, rankenas, rėmus ir maitinimo laidą. Mechaninės dalys su atitinkamais montuojamaisiais varžtais yra šildytuvo pakuotėje ir turi būti surinktos prieš įjungiant įrenginį.

►►4. VALDYMO PULTAS

(2 Pav.)

A. Galios selektorius;

B. Veikiančios įtampos lemputė;

C. Užsiblokavusio įrenginio lemputė;

D. Kambario termostato lizdas;

E. Mygtukas „NUSTATYTI IŠ NAUJO“.

►►5. VEIKIMAS

ĮSPĖJIMAS: Kad išvengtumėte rizikos ir galėtumėte tinkamai naudoti įrenginį, prieš jį įjungdami atidžiai perskaitykite ir laikykitės skyriaus „INFORMACIJA APIE SAUGĄ“ nurodymų.

ĮSPĖJIMAS: Patikrinkite, ar nepažeistas maitinamasis laidas ir ar elektros tinklo parametrai atitinka šildytuvo techninių duomenų plokštelėje nurodytuosius.

ĮSPĖJIMAS: Prieš pradėdami naudoti šildytuvą, visada jį tinkamai sumontuokite ir įsitinkite, kad šis stovi ant plokščio, lygaus ir tvirto paviršiaus.

►► 5.1. ĮJUNGIMAS:

► 5.1.1. Įjunkite šildytuvo kištuką į elektros lizdą (3 Pav.).

► 5.1.2. Prijunkite aplinkos termostatą prie šildytuvo (4 Pav.) (šildytuvas be prijungto aplinkos termostato veiks maksimalia šildymo galia).

► 5.1.3. Pasukdami nustatykite norimą galios selektoriaus padėtį (2 Pav. A). Galimi nustatymai:

• Nustačius galios selektorių ties „VENTILIATORIUS“, šildytuvas veiks tik ventiliavimo režimu.

• Nustačius galios selektorių ties „ŠILDYMAS“, šildytuvas veiks maksimalia šildymo galia.

DĖMESIO: JUTIKLIAI, KONTROLIUOJANTYS TINKAMĄ ŠILDYTUVO DARBĄ IR UŽFIKSAVĘ GEDIMĄ, ĮRENGINĮ UŽBLOKuoja. ŠILDYTUVE NĖRA AUTOMATINIO PALEIDIMO SISTEMOS, TODĖL TAI REIKIA PADARYTI RANKINIŲ BŪDU. PALAUKITE, KOL ŠILDYTUVAS VISIŠKAI ATVĖS, PANAIKINKITE GEDIMO PRIEŽASTIS, DĖL KURIŲ SUVEIKĖ ŠILDYTUVO BLOKAS (PVZ., UŽSIKIMŠUSIOS ORO ANGOS, NEPAKANKAMA ORO SROVĖ IR PAN.), IR NUSPAUSKITE MYGTUKĄ „NUSTATYTI IŠ NAUJO“ (5 Pav.) BEI PATIKRINKITE, AR IŠSIJUNGĖ „UŽBLOKUOTO ŠILDYTUVO LEMPUTĖ (2 Pav. C)“. JEI PABANDŽIUS IŠ NAUJO ĮJUNGTI ŠILDYTUVĄ, ŠIS NEĮSIJUNGIA, KREIPKITĖS Į TECHNINĖS PAGALBOS CENTRĄ.

►► 5.2. IŠJUNGIMAS:

► 5.2.1. Galios selektorių nustatykite į padėtį „0/OFF“ (A 2 Pav.) ir palikite ventiliatorių veikti, kol šildytuvas visiškai išsijungs.

► 5.2.2. Atjunkite šildytuvą nuo elektros tinklo.

DĖMESIO: KAD IŠVENGTUMĖTE DIDELĖS ŽALOS, NEATJUNKITE ŠILDYTUVO NUO ELEKTROS TINKLO TOL, KOL VENTILIATORIUS VISIŠKAI NESUSTOS.

►► 6. LAIKYMAS

Kai šildytuvo nenaudojate, atjunkite jį nuo elektros tinklo (10 Pav.), o baigę naudoti, palaukite, kol jis visiškai atvės. Šildytuvą laikykite sausoje ir nuo dulkių apsaugotoje vietoje. Kai šildytuvas nenaudojamas, reguliariai tikrinkite maitinimo laidą; jei abejojate dėl jo saugojimo būklės, kreipkitės į techninės pagalbos centrą. Bet kokiu atveju, bent kartą per metus ir (arba) prireikus, kreipkitės į techninės pagalbos centro personalą, kad patikrintų, ar šildytuvas veikia tinkamai.

►► 7. NUOTOLINIO APLINKOS TERMOSTATO PRIJUNGIMAS

Nuimkite ant šildytuvo esantį dangtelį ir prijunkite nuotolinį aplinkos termostatą (pasirinktinai) (4 Pav.).

DĖMESIO: KAD TINKAMAI VEIKTŲ, ANT ŠILDYTUVO TURI BŪTI UždĖTAS DANGTELIS ARBA PRIJUNG-TAS NUOTOLINIS APLINKOS TERMOSTATAS, NES KITAIP ŠILDYTUVAS NEĮSIJUNGS.

►► 8. PROBLEMAS NUSTATYMAS

PROBLEMA	GALIMA PRIEŽASTIS	GALIMAS SPRENDIMAS
Šildytuvas neveikia	1. Galios selektoriaus padėtis „0/OFF“ 2. Klaidingai prijungtas arba nustatytas aplinkos termostatas 3. Nėra elektros maitinimo 4. Šildytuvas užblokuotas	1. Pasukdami nustatykite norimą galios selektoriaus padėtį 2a. Taisyklingai įstatykite aplinkos termostato kištuką 2b. Patikrinkite, kad nustatyta termostato temperatūra būtų aukštesnė už aplinkos temperatūrą 2c. Patikrinkite, ar tinkamai įstatytas termostato lizdo dangtelis 3a. Kištuką tinkamai įjunkite į elektros tinklą 3b. Patikrinkite, ar gerai veikia jūsų elektros sistema 3c. Kreipkitės į techninės pagalbos centrą 4a. Iš naujo nustatykite ir įjunkite šildytuvą 4b. Kreipkitės į techninės pagalbos centrą
Neveikia variklis	1. Sugedęs variklis 2. Užsiblokavęs ventiliatorius	1. Kreipkitės į techninės pagalbos centrą 2a. Pašalinkite trukdžius 2b. Kreipkitės į techninės pagalbos centrą
Šildytuvas nekaista	1. Galios selektoriaus padėtis „VENTILIATORIUS“ 2. Sugedusi vidinė įranga	1. Pasukite galios selektorių į padėtį „ŠILDYMAS“ 2. Kreipkitės į techninės pagalbos centrą
Per silpna oro srovė	1. Užsikimšusi oro anga 2. Sugedęs variklis	1a. Pašalinkite trukdžius 1b. Kreipkitės į techninės pagalbos centrą 2. Kreipkitės į techninės pagalbos centrą

►►1. DROŠĪBAS INFORMĀCIJA

(Att. 1)

Šī karstā gaisa sildītāju sērija ir īpaši piemērota, lai sasniegtu un uzturētu augstu temperatūru (~ 60 °C / 140 °F) atbilstoši izolētās un atbilstoša izmēra telpās. Šie sildītāji ir saderīgi ar spēkā esošo Eiropas direktīvu.

SVARĪGI: Pirms šī sildītāja montāžas, ekspluatācijas vai tehniskās apkopes darbu veikšanas izlasiet un izprotiet šo ekspluatācijas rokasgrāmatu. Neatbilstoša sildītāja izmantošana var izraisīt nopietnus miesas bojājumus. Saglabājiet šo rokasgrāmatu turpmākai lietošanai.

SVARĪGI: Šis sildītājs nav paredzēts lietošanai personām (ieskaitot bērnus) ar ierobežotām fiziskām, sensorām vai garīgajām spējām, vai nepieredzējušiem, ja vien viņus neuzrauga par viņu drošību atbildīgas personas. Bērni jāuzrauga, nodrošinot, lai viņi nerotaļātos ar sildītāju.

SVARĪGI: Visi tīrīšanas, tehniskās apkopes un remontdarbi, kas saistīti ar piekļuvi bīstamajām daļām (piemēram, bojāta elektrības vada nomaiņa), jāveic ražotājam, tā tehniskā atbalsta centram vai personai ar līdzīgu kvalifikāciju, lai novērstu jebkādu risku, pat tad, ja paredzēta atslēgšana no barošanas avota.

SVARĪGI: Lietojot sildītāju, ievērojiet visus vietējos, spēkā esošos priekšrakstus un noteikumus.

SVARĪGI: Šis sildītājs var sasniegt augstu temperatūru. Lai izvairītos no nopietniem bojājumiem, ir svarīgi droši lietot sildītāju, pievēršot īpašu uzmanību tam, lai nebūtu tādu materiālu, priekšmetu, utt., kas būtu jutīgi pret augstām temperatūrām (~ 60 °C / 140 °F).

►1.1. Sildītājiem, kas tiek izmantoti nojumēs, telts vai citu līdzīga seguma materiālu tuvumā, jāatrodas drošā attālumā no tiem.

►1.2. Uzglabājiet sildītāju drošā attālumā no mitruma, ūdens un atmosfēras aģentiem, lai novērstu tā būtiskus bojājumus.

►1.3. Saglabāt drošības attālumu starp uzliesmojošiem vai termoneizturīgiem materiāliem (ieskaitot strāvas vadu) un sakarsušajām sildītāja daļām.

►1.4. Ja sildītājs ir karsts vai pieslēgts strāvas padeves tīklam, vai arī darbojas, to nedrīkst pārvietot, izmantot, kā arī veikt tehniskās apkopes darbus.

►1.5. Novietojiet silto vai funkcionējošo sildītāju uz cietas, līdzenas virsmas, lai novērstu ugunsgrēka risku.

►1.6. Turiet mājdzīvniekus drošā attālumā no sildītāja.

►1.7. Sildītāja barošanu nodrošiniet, izmantojot strāvas padeves rozeti ar spriegumu un frekvenci, kas norādīti sildītāja plāksnītē.

►1.8. Pārliedzinieties, vai sildītāja pieslēgums elektriskajam tīklam ir pareizi aprīkots ar diferenciālo slēdzi un atbilstošu zemējumu.

►1.9. Ja strāvas padeves vads ir bojāts, tas jānomaina apkopes centrā, lai novērstu jebkādu risku.

►1.10. Atvienojiet sildītāju no sienas kontaktligzdas, ja to nelietojat.

►1.11. Ja sildītājs ir palicis kādu laiku nedrošos apstākļos, nodrošiniet, lai to nevarētu izmantot, un jebkurā gadījumā vienmēr atvienojiet no sienas kontaktligzdas.

►1.12. Nekad nenobloķējiet, arī daļēji, sildītāja gaisa ieplūdi vai gaisa izvadi. Sildītājam ir ļoti jaudīgs ventilators, lietošanas laikā apkārtējai videi jābūt tīrai un bez objektiem, ko var uzsūkt.

►1.13. Nenovadiet gaisu, ja nav oriģinālā komplekta (kur paredzēts).

►1.14. Sildītāju darbības laikā nepārklājiet, jo tas var pārkarst.

►1.15. Lai nodrošinātu sildītāja pienācīgu darbību, tehniskajam atbalsta dienestam tas jāpārbauda vismaz reizi gadā, un/vai saskaņā ar prasībām.

RAŽOTĀJS NEUZŅEMAS NEKĀDU ATBILDĪBU PAR MATERIĀLIEM UN/VAI MIESAS BOJĀJUMIEM, KAS RADUŠIES SILDĪTĀJA NEPAREIZAS LIETOŠANAS REZULTĀTĀ.

TIKAI RAŽOTĀJA APMĀCĪTS UN AUTORIZĒTS PERSONĀLS VAR RĪKOTIES AR SILDĪTĀJU.

►►2. IZPAKOŠANA

BRĪDINĀJUMS: Iepakojuma materiāls nav rotaļlieta bērniem. Plastmasas maisiņu uzglabājiet bērniem nepieejamā vietā; nosmakšanas risks!

►2.1. Novāciet visus iepakojuma materiālus, kas tika izmantoti, lai iepakotu un nosūtītu sildītāju, un likvidējiet to saskaņā ar piemērojamiem noteikumiem.

►2.2. Izņemiet visas preces no iepakojuma.

►2.3. Pārbaudiet, vai transportēšanas laikā nav radušies bojājumi. Ja sildītājs ir bojāts, nekavējoties sazinieties ar izplatītāju, kas to piegādājis.

►►3. MONTĀŽA

Daži modeļi var būt aprīkoti ar riteniem, rokturiem, kronšteinu un strāvas vadu. Mehāniskās detaļas kas kopā ar attiecīgo montāžas aparatūru atrodas sildītāja iepakojumā, pirms tā ieslēgšanas ir jākomplektē.

►►4. VADĪBAS PANELIS

(Att. 2)

A. Ieslēgšanas selektors;

B. Sprieguma indikators;

C. Nobloķētas mašīnas indikators;

D. Vides termostata kontaktligzda;

E. Spiedpoga "ATIESTATĪT".

►►5. DARBA REŽĪMS

BRĪDINĀJUMS: Pareizai izmantošanai un, lai izvairītos no riskiem, pirms sildītāja iedarbināšanas izlasiet, izprotiet un ievērojiet "DROŠĪBAS INFORMĀCIJU".

BRĪDINĀJUMS: Pārbaudiet strāvas vada perfektu integritāti un, vai tīkla elektriskās īpašības atbilst tām, kas norādītas sildītāja datu plāksnītē.

BRĪDINĀJUMS: Nekad neizmantojiet sildītāju pirms visu sastāvdaļu pareizas montāžas un, nepārliedzinoties, vai sildītājs ir novietots uz pilnīgi gludas un līdzenas virsmas.

►► 5.1. IESLĒGŠANA:

► 5.1.1. Pievienojiet sildītāju elektrotīklam (Att. 3).

► 5.1.2. Pievienojiet istabas termostatu sildītājam (Att. 4) (Sildītājs bez pievienotā istabas termostata darbosies ar maksimālo sildīšanas jaudu).

► 5.1.3. Pagrieziet ieslēgšanas selektoru uz vēlamu režīmu (A Att. 2) Ir iespējami šādi iestatījumi:

- Pagriežot ieslēgšanas slēdzi uz, "VENTILATORS", sildītājs darbosies tikai ventilācijas režīmā.
- Pagriežot ieslēgšanas slēdzi uz, "SILDĪŠANA", sildītājs darbosies ar sildīšanas jaudu.

UZMANĪBU: VAIRĀKI SENSORI PĀRBAUDA SILDĪTĀJA PAREIZU DARBĪBU, BLOKĒJOT IERĪCI NOPIETNU PROBLĒMU GADĪJUMĀ. SILDĪTĀJA ATIESTATĪŠANA NAV AUTOMĀTISKA; TĀ IR JĀVEIC MANUĀLI. UZGAIDIET LĪDZ SILDĪTĀJS IR PILNĪBĀ ATDZISIS UN NOVĒRSIET IESPĒJAMOS CĒĻŅUS, KAS IZRAISĪJA SILDĪTĀJA BLOKĒŠANOS (PIEM., GAISA IEPLŪDES AIZSPROSTOŠANA, SLIKTA GAISA IEPLŪDE, UTT.) NOSPIEDIET LĪDZ GALAM POGU "ATIESTATĪT" (Att. 5), PĀRBAUDOT, VAI IR IZSLĒGTA "INDIKATORLAMPĪŅA - SILDĪTĀJS BLOKĒTS" (C Att. 2)" IZSLĒDZAS. JA PĒC DAŽIEM ATIESTATĪŠANAS MĒĢINĀJUMIEM SILDĪTĀJS NEDARBOJAS, SAZIENIETĒS AR TEHNISKĀ ATBALSTA DIENESTU.

►► 5.2. IZSLĒGŠANA:

► 5.2.1. Pagrieziet strāvas slēdzi izslēgtā stāvoklī "OFF/0" (A Att. 2) un atstājiet ventilatoru darbojamies, līdz sildītājs izslēdzas.

► 5.2.2. Atvienojiet sildītāju no elektrotīkla.

UZMANĪBU: NEATVIENOJIET SILDĪTĀJU NO ELEKTROTĪKLA, PIRMS VENTILATORS NAV PILNĪBĀ APSTĀJIES, LAI IZVAIRĪTOS NO NOPIETNAS TRAUMAS.

►► 6. UZGLABĀŠANA

Atvienojiet vienmēr sildītāju no elektrotīkla (Att. 10), kad to nelietojiet, un, pirms to uzglabāt, pagaidiet dažas minūtes, līdz tas ir pilnībā atdzisis. Uzglabājiet to sausā un no putekļiem aizsargātā vietā. Ja sildītājs tiek izmantots atkārtoti, pārbaudiet strāvas vada tehniskās apkopes stāvokli; ja jums ir šaubas par pareizu uzglabāšanu, sazinieties ar tehniskā atbalsta dienestu. Jebkurā gadījumā, lai nodrošinātu sildītāja pienācīgu darbību, tehniskajam atbalsta dienestam tas jāpārbauda vismaz reizi gadā, un/ vai saskaņā ar prasībām.

►► 7. TĀLVADĪBAS VIDES TERMOSTATA PIEVIENOŠANA

Noņemiet sildītājam pievienoto vāciņu un pievienojiet tālvadības vides termostatu (Att. 4).

UZMANĪBU: PAREIZAI DARBĪBAI SILDĪTĀJS JĀPIEVĪENO VAI JĀAPVĀKO, VAI ARĪ DISTANCES VADĪBAS APKĀRTĒJĀS VIDES TERMOSTĀTS, PRETĒJĀ GADĪJUMĀ SILDĪTĀJS NEIESLĒDZAS.

►► 8. PROBLĒMAS NOTEIKŠANA

PROBLĒMA	IESPĒJAMĀIS CĒĻŅIS	IESPĒJAMĀIS RISINĀJUMS
Sildītājs nedarbojas	1. Ieslēgšanas selektors izslēgtā stāvoklī "0/OFF" 2. Vides termostata savienojuma vai iestatīšanas kļūme 3. Nav strāvas padeves 4. Sildītājs bloķēts	1. Pagrieziet ieslēgšanas selektoru uz vēlamu režīmu 2a. Ievietojiet pareizi vides termostata kontaktdakšu 2b. Pārbaudiet, vai uz vides termostata iestatītā temperatūra ir augstāka par ārējo temperatūru 2c. Pārbaudiet, vai vāciņš ir pareizi ievietots termostata kontaktligzdā 3a. Pievienojiet spraudni pareizi barošanas avotam 3b. Pārbaudiet jūsu elektroinstalācijas pareizu darbību 3c. Sazinieties ar klientu apkalpošanas centru 4a. Atiestatiet sildītāju 4b. Sazinieties ar klientu apkalpošanas centru
Dzinējs neiedarbojas	1. Dzinēja atteice 2. Ventilācijas iekārta bloķēta	1. Sazinieties ar klientu apkalpošanas centru 2a. Novērsiet piesārņojumu 2b. Sazinieties ar klientu apkalpošanas centru
Sildītājs nesilda	1. Ieslēgšanas selektors atrodas stāvoklī "VENTILATOR" 2. Ierīces iekšēja kļūme	1. Pagrieziet ieslēgšanas selektoru uz režīmu "SILDĪŠANA" 2. Sazinieties ar klientu apkalpošanas centru
Samazināta gaisa plūsma	1. Gaisa ieplūde aizsprostota 2. Dzinēja atteice	1a. Novērsiet piesārņojumu 1b. Sazinieties ar klientu apkalpošanas centru 2. Sazinieties ar klientu apkalpošanas centru

►►1. OHUTUSTEAVE

(Joon 1)

See õhukütteseadmete tootesari on spetsiaalselt mõeldud nõuetekohaselt soojustatud ja sobiva suurusega ruumides kõrge temperatuuri saavutamiseks ja hoidmiseks (~ 60°C / 140°F). Puhurid vastavad kehtivate eurodirektiivide nõuetele.

TÄHTIS: Lugege ja töötage tööjuhend läbi enne puhuri kokku panemist, käivitamist või hooldamist. Puhuri väärkasutus võib põhjustada raskeid vigastusi. Säilitage juhend edaspidiseks kasutamiseks.

TÄHTIS: See seade ei ole mõeldud kasutamiseks füüsiliste, sensorsete ja vaimsete puuetega või kogemata inimestele (sh lastele), v.a juhul, kui see toimub nende ohutuse eest vastutava isiku järelevalve all. Tuleb tagada, et lapsed ei mängiks soojapuhuriga.

TÄHTIS: Kõik ohtlike komponentidega (näiteks kahjustatud toitejuhtme välja vahetamisega) seotud puhastus-, hooldus- või parandustööd on mõeldud sooritamiseks tootjale, tootja tehnobile või muule sarnase väljaõppega isikule, et vältida kõiki ohte, isegi kui puhur on elektrivõrgust lahti ühendatud.

TÄHTIS: Kütteseadme kasutamisel tuleb järgida kõiki kehtivaid kohalikke nõudeid ja norme.

TÄHTIS: See kütteseade võib saavutada kõrged temperatuurid. Raskete kahjustuste vältimiseks on väga oluline kasutada kütteseadet ohutult, pöörates maksimaalselt tähelepanu, et keskkonnas ei oleks materjale, esemeid jms, mis on tundlikud kõrge temperatuuri suhtes (~ 60 °C / 140 °F).

►1.1. Kütteseade, mida kasutatakse presentide, eesriiete või teiste sarnaste katusematerjalide lähedal, peab nendest asuma ohutul kaugusel.

►1.2. Hoidke puhur ohutus kauguses niiskusest, veest ja ilmastikutingimustest, mis võiksid puhurit kahjustada.

►1.3. Hoidke puhuri kuumadest osadest ohutus kauguses materjalid, mis on kergsüttivad või temperatuuritundlikud (kaasa arvatud toitejuhe).

►1.4. Puhurit, mis on tuline või ühendatud elektrivõrku, ei tohi liigutada, käsitseda ega hooldada.

►1.5. Tuline või töötav puhur peab olema kindlal ja tasasel pinnal, et vältida tulekahjuohtu.

►1.6. Hoidke loomi kütteseadmest ohutus kauguses.

►1.7. Puhuri toiteks kasutatav elektrivool peab pingelt ja sageduselt vastama puhuri identifitseerimisplaadil olevatele väärtustele.

►1.8. Puhurit tohib ühendada vaid elektrivõrku, mis on varustatud diferentsiaalkatkesti ja maandusega.

►1.9. Kahjustatud toitejuhe tuleb välja vahetada tehnilise abi keskuses, et vältida mis tahes ohte.

►1.10. Kui kütteseadet ei kasutata, siis ühendage see elektrivõrgupistikust välja.

►1.11. Kui puhur ei ole ohutust tingimustes, siis tagage, et keegi ei saaks seda kasutada ning ühendage puhur alati elektrivõrgust välja.

►1.12. Ei tohi takistada, ka mitte osaliselt õhu sissevõttu ega väljalaset kütteseadmest. Kütteseadmest on väga võimas ventilaator, mistõttu peab kasutamise ajal peab ümbritsev keskkond olema puhas ja vaba esemetest, mille võib ventilaator sisse tõmmata.

►1.13. Vältige õhuvoolu kanaliseerimist, kui selleks puudub originaalkomplekt (kui on ettenähtud).

►1.14. Kütteseadet ei tohi kinni katta, sest nii võib see üle kuumeneda.

►1.15. Puhur tuleb viia tehnotoe keskusse ülevaatusele vähemalt kord aastas ja/või vastavalt vajadusele.

TOOTJA EI VASTUTA ESEMETELE JA/VÕI ISIKUTELE PÕHJUSTATUD KAHJUDE EEST, MIS TULENEVAD VÄÄRKASUTUSEST.

PUHURIT VÕIVAD PARANDADA AINULT TOOTJA VOOLITATUD ERITEHNIKUD.

►►2. LAHTIPAKIMINE

HOIATUS: Pakendid ei ole laste mänguasjad. Pange kilekott laste kättesaadavusest eemale, lämbumisoht!

►2.1. Eemaldage kõik pakendid ja pakkematerjalid, milles puhur kohale toodi, ning visake need ära vastavalt kehtivatele nõuetele.

►2.2. Eemaldage kõik osad pakendist.

►2.3. Kontrollige, kas ei ole tekkinud võimalikke kahjustusi transpordi ajal. Kui kütteseade on kahjustatud, teavitage koheselt edasimüüjat, kelle juurest antud seade osteti.

►►3. MONTEERIMINE

Osad mudelid on varustatud rataste, käepidemete tuge ja toitejuhtmega. Mehaanilised osad, koos nende kinne detailidega, on puhuri pakendis, need tuleb kokku monteerida enne puhuri kasutuselevõttu.

►►4. JUHTPANEEL

(Joon 2)

A. Võimsuslülit;

B. Pinge signaallamp;

C. Masina lukustatuse signaallamp;

D. Ohutemperatuuri nupp;

E. „RESET” nupp.

►►5. TÖÖPÕHIMÕTE

HOIATUS: Kütteseadme õigesti kasutamiseks ja ohtude vältimiseks lugege enne kütteseadme kasutamist „OHUTUSTEAVE” läbi.

HOIATUS: Kontrollige, et elektrijuhe oleks terve ja elektrivõrgu omadused vastaksid puhuri identifitseerimisplaadil näitudele.

HOIATUS: Ärge kunagi kasutage puhurit, mille kõik osad ei ole monteeritud või kui puhur ei ole asetatud tasasele, stabiilsele tasapinnale.

►►5.1. KÄIVITAMINE:

►5.1.1. Ühendage seade elektrivõrku (Joon 3).

►5.1.2. Ühendage toatermostaat kütteseadmega (Joon 4) (Ilma toatermostaadita töötab kütteseade maksimumvõimsusel).

►5.1.3. Keerake võimsuslülit soovitud režiimile (Joon 2). Võimalikud on järgmised valikud:

• Kui võimsuslülit on asendis „VENTILAATOR”, töötab kütteseade ainult ventilatsioonirežiimil.

• Kui võimsuslülit on asendis „KÜTE”, töötab kütteseade maksimaalsel küttevõimsusel.

TÄHELEPANU: PUHUR ON VARUSTATUD ANDURITEGA, MIS KONTROLLIVAD SELLE TÖÖKORDA JA LÜLITAVAD MASINA ÄÄRMISTE ANOMAALIAE KORRAL VÄLJA. PUHURI TAASKÄIVITAMINE EI TOIMU AUTOMAATSELT, VAID SEDA TULEB ISE TEHA. OODAKE, KUNI PUHUR ON TÄIELIKULT MAHA JAH-TUNUD, EEMALDAGE PUHURI SEISKANUD PROBLEEM (NT. ÕHUAVA UMMISTUS, EBAPIISAV ÕHU JUURDEVOOL, JNE) JA VAJUTAGE "RESET"-NUPPU (Joon 5), KONTROLLIGE, ET PUHURI SIGNAAL-LAMP (C Joon 2)" KUSTUB. KUI PUHUR HOOLIMATA KORDUVAST TAASKÄIVITUSEST EI HAKKA TÖÖLE, SIIS PÖÖRDUGE TEHNOABI POOLE.

▶▶ 5.2. VÄLJALÜLITAMINE:

▶ 5.2.1. Asetage võimsuslüli asendisse „0/OFF” (A Joon 2) ja jätke ventilaator tööle kuni kütteseade on täiesti välja lülitunud.

▶ 5.2.2. Ühendage kütteseade elektrivõrgust välja.

TÄHELEPANU: VÄLTIGE PUHURI ELEKTRIVÕRGUST VÄLJA LÜLITUMIST ENNE VENTILAATORI TÄIELIKKU SEISMAJÄÄMIST, RASKETE VIGASTUSTE OHT.

▶▶ 6. SÄILITAMINE

Ühendage seade elektrivõrgust välja (Joon 10), kui puhurit ei kasutata, ja enne selle liigutamist oodake paar minutit kuni puhur jahtub. Hoidke kuivas ja tolmu eest kaitstud kohas. Kui soovite puhurit uuesti tööle panna, siis kontrollige, kas elektrijuhe vajab hooldamist, kui teil tekib kahtlusi, siis pöörduge tehnilise toe poole. Igal juhul tuleb kütteseade viia tehnotoe keskusse ülevaatusele vähemalt kord aastas ja/või vastavalt vajadusele.

▶▶ 7. KAUGMÕÕDETAVA TERMOSTAADI ÜHENDAMINE

Eemaldage kütteseadmele kinnitatud kork ja ühendage kaugjuhitav toatermostaat (Joon 4).

TÄHELEPANU: ÕIGESTI TÖÖTAMISEKS PEAB KÜTTESEADMEL OLEMA KATTEKAAS PEAL VÕI SELLEGA PEAB OLEMA ÜHENDATUD KAUGJUHTAV TOATERMOSTAAT, VASTASEL JUHUL EI LÜLITU KÜTTESEADE SISSE.

▶▶ 8. PROBLEEMI TUVASTAMINE

PROBLEEM	VÕIMALIK PÕHJUS	VÕIMALIK LAHENDUS
Puhur ei tööta	1. Võimsuslüli asendis "0/OFF" 2. Keskkonna termostaadi ühendus või seadistus vale 3. Puudub elektritoide 4. Puhur on seiskunud	1. Keerake võimsuslüli soovitud režiimile 2a. Ühendage toatermostaadi pistik õigesti vooluvõrku 2b. Kontrollige, et termostaadil seadistatud temperatuur ei oleks välistemperatuurist kõrgem 2c. Kontrollige, et termostaadi ühenduse kate oleks õigesti. 3a. Ühendage elektrijuhe õigesti 3b. Kontrollige, kas elektrisüsteem on sees 3c. Pöörduge abikeskuse poole 4a. Taaskäivitage puhur 4b. Pöörduge abikeskuse poole
Mootor ei tööta	1. Mootor on katki 2. Ventilaator on blokeeritud	1. Pöörduge abikeskuse poole 2a. Eemaldage takistused 2b. Pöörduge abikeskuse poole
Puhur ei soojenda	1. Võimsuslüli asendis „VENTILATSIOON" 2. Sisemine aparaat rikkis	1. Keerake võimsuslüli asendisse „KÜTE" 2. Pöörduge abikeskuse poole
Vähene õhuvool	1. Õhuvõtuava ummistunud 2. Mootor on katki	1a. Eemaldage takistused 1b. Pöörduge abikeskuse poole 2. Pöörduge abikeskuse poole

►► 1. INFORMAȚII PRIVIND SIGURANȚA

(Fig. 1)

Această serie de aparate pentru încălzirea aerului este indicată în mod deosebit pentru a obține și menține, în medii închise, izolate și dimensionate corespunzător, temperaturi înalte (~ 60°C / 140°F). Aceste încălzitoare sunt conforme cu directiva europeană în vigoare.

IMPORTANT: Citiți cu atenție acest manual înainte de a asambla, de a pune în funcțiune și de a întreține încălzitorul. Utilizarea necorespunzătoare a încălzitorului poate provoca leziuni grave. Păstrați acest manual pentru consultare ulterioară.

IMPORTANT: Acest încălzitor nu este adecvat pentru a fi folosit de către persoane (inclusiv copii) cu capacități fizice, senzoriale sau mentale reduse sau de către persoane inexperte, cu excepția cazului în care sunt supravegheate de către o persoană responsabilă pentru siguranța lor. Supravegheați copiii pentru a vă asigura că nu se joacă cu încălzitorul.

IMPORTANT: Toate operațiunile de curățare, întreținere și reparație care presupun accesul la părți periculoase (precum înlocuirea cablului de alimentare deteriorat) trebuie desfășurate de către producător, de serviciul de asistență tehnică a acestuia sau de către o persoană cu calificare asemănătoare, pentru a preveni riscurile, chiar dacă este prevăzută deconectarea de la rețeaua de alimentare.

IMPORTANT: În timpul utilizării aparatului de încălzire respectați toate legile locale și normele în vigoare.

IMPORTANT: Acest aparat de încălzire poate atinge temperaturi înalte. Pentru a evita daune grave, este fundamental să utilizați aparatul de încălzire în condiții de siguranță, acordând atenție maximă ca în mediu să nu fie prezente materiale, obiecte, etc., sensibile la temperaturi înalte (~ 60°C / 140°F).

► 1.1. Aparatul utilizat în apropierea prelatelor sau al altor materiale folosite pentru acoperire, trebuie amplasat la distanță de siguranță față de acestea.

► 1.2. Păstrați încălzitorul ferit de umiditate, apă și agenți atmosferici în scopul prevenirii daunelor grave aduse acestuia.

► 1.3. Păstrați materialele inflamabile sau termolabile (inclusiv cablul de alimentare) la distanță de siguranță față de părțile calde ale aparatului de încălzire.

► 1.4. Când încălzitorul este cald, sau conectat la rețeaua electrică sau este în funcțiune, acesta nu trebuie mutat, manipulat sau supus operațiilor de întreținere.

► 1.5. Așezați încălzitorul cald sau în funcțiune, pe o suprafață stabilă și dreaptă, pentru a preveni riscurile de incendiu.

► 1.6. Țineți animalele la distanță de siguranță față de aparatul de încălzire.

► 1.7. Alimentați aparatul de încălzire numai cu curent cu tensiunea și frecvența indicate pe plăcuța de identificare a acestuia.

► 1.8. Conectați încălzitorul numai la rețele electrice prevăzute cu întrerupător diferențial și împământare adecvată.

► 1.9. În cazul în care cablul de alimentare este deteriorat, acesta trebuie înlocuit de serviciul de asistență tehnică pentru a preveni orice risc.

► 1.10. Deconectați încălzitorul de la rețeaua de alimentare când nu îl folosiți.

► 1.11. În cazul în care încălzitorul este lăsat temporar în condiții nesigure, asigurați-vă ca acesta să nu poată fi utilizat și deconectați-l întotdeauna de la priza de rețea.

► 1.12. Este interzisă blocarea, chiar și parțială, a prizei de aer sau a gurii de ieșire a aerului a încălzitorului. Încălzitorul este prevăzut cu un ventilator foarte puternic, în timpul utilizării, mediul din jur trebuie să fie curat și fără obiecte care ar putea fi aspirate.

► 1.13. Direcționați aerul cald folosind numai kituri originale (unde este prevăzut).

► 1.14. Nu acoperiți încălzitorul, acest lucru ar putea provoca supraîncălzirea aparatului.

► 1.15. Solicitați verificarea funcționării corecte a încălzitorului de către serviciul de asistență tehnică cel puțin o dată pe an și/sau în funcție de necesități.

PRODUCĂTORUL NU ÎȘI ASUMĂ RESPONSABILITATEA PENTRU DAUNE ADUSE LUCRURILOR ȘI/SAU PERSOANELOR DATORATE UTILIZĂRII NEADECVATE A ÎNCĂLZITORULUI.

INTERVENȚIILE ASUPRA ÎNCĂLZITORULUI POT FI EFECTUATE NUMAI DE CĂTRE PERSONAL DE SPECIALITATE AUTORIZAT DE PRODUCĂTOR.

►► 2. DEZAMBALAREA

AVERTISMENT: Materialul folosit pentru ambalare nu este o jucărie pentru copii. Nu păstrați punga din plastic la îndemâna copiilor; pericol de sufocare!

► 2.1. Înlăturați toate materialele utilizate pentru ambalarea și expedierea aparatului de încălzire și eliminați-le conform normelor în vigoare.

► 2.2. Scoateți toate articolele din ambalaj.

► 2.3. Verificați imediat dacă aparatul a suferit daune în timpul transportului. În cazul în care aparatul de încălzire pare deteriorat, informați imediat agentul de vânzare de la care a fost cumpărat.

►► 3. ASAMBLAREA

Unele modele pot fi dotate cu roți, mânere, suporturi și cablu de alimentare. Componentele mecanice, împreună cu șuruburile pentru montare se află în ambalajul încălzitorului și trebuie asamblate înainte de pornirea aparatului.

►► 4. PANOU DE COMENZI

(Fig. 2)

A. Selector de putere;

B. Indicator luminos prezență tensiune;

C. Indicator luminos mașină blocată;

D. Priză termostat ambient;

E. Buton de "RESET".

►► 5. FUNCȚIONARE

AVERTISMENT: Pentru utilizarea corectă și prevenirea riscurilor, citiți cu atenție, asigurați-vă că ați înțeles și respectați "RECOMANDĂRILE PRIVIND SIGURANȚA" înainte de a pune încălzitorul în funcțiune.

AVERTISMENT: Verificați integritatea cablului de alimentare și caracteristicile electrice ale rețelei care trebuie să corespundă cu cele indicate pe plăcuța cu date tehnice ale încălzitorului.

AVERTISMENT: Nu utilizați încălzitorul dacă nu ați montat mai întâi toate componentele în mod corect și asigurați-vă ca acesta să fie așezat pe o suprafață perfect dreaptă, stabilă și nivelată.

►► 5.1. PORNIRE:

► 5.1.1. Conectați ștecherul încălzitorului la rețeaua electrică (Fig. 3).

► 5.1.2. Conectați termostatul ambiental la încălzitor (Fig. 4) (Încălzitorul fără termostat ambiental conectat va lucra la puterea maximă de încălzire).

► 5.1.3. Poziționați selectorul de putere la modalitatea dorită (A Fig. 2). Sunt posibile următoarele setări:

• Dacă aduceți selectorul de putere în poziția "VENTILATOR" încălzitorul va funcționa exclusiv în modalitatea ventilare.

• Dacă aduceți selectorul de putere în poziția „ÎNCĂLZIRE” încălzitorul va funcționa la puterea de încălzire maximă.

ATENȚIE: O SERIE DE SENZORI VERIFICĂ FUNCȚIONAREA CORECTĂ A ÎNCĂLZITORULUI ȘI ÎL BLOCHEAZĂ ÎN CAZ DE ANOMALIE GRAVĂ. OPERAȚIA DE RESTABILIRE A ÎNCĂLZITORULUI NU ESTE AUTOMATĂ, ACEASTA TREBUIE EFECTUATĂ MANUAL. AȘTEPTAȚI RĂCIREA COMPLETĂ A ÎNCĂLZITORULUI, ELIMINAȚI CAUZA POSIBILĂ CARE A PROVOCAT BLOCAREA ACESTUIA (EX. BLOCAREA PRIZEI DE AER, ADMISIE DE AER INSUFICIENTĂ ETC.) ȘI APĂSAȚI PÂNĂ LA CAPĂT BUTONUL DE "RESET" (Fig. 5), VERIFICAȚI CA „INDICĂTORUL LUMINOS ÎNCĂLZITOR BLOCAT (C Fig. 2)” SĂ SE STINGĂ. DACĂ DUPĂ CÂTEVA TENTATIVE DE RESTABILIRE ÎNCĂLZITORUL NU FUNCȚIONEAZĂ, CONTACTAȚI SERVICIUL DE ASISTENȚĂ TEHNICĂ.

►► 5.2. OPRIRE:

► 5.2.1. Aduceți selectorul de putere în poziția „0/OFF” (A Fig. 2) și lăsați ventilatorul să funcționeze până la oprirea completă a încălzitorului.

► 5.2.2. Deconectați încălzitorul de la rețeaua electrică.

ATENȚIE: NU DECONECTAȚI ÎNCĂLZITORUL DE LA REȚEAUA ELECTRICĂ ÎNAINTE DE OPRIREA COMPLETĂ A VENTILATORULUI, ÎN SCOPUL EVITĂRII DAUNELOR GRAVE.

►► 6. PĂSTRAREA

Deconectați încălzitorul de la rețeaua electrică (Fig. 10), dacă nu este utilizat și așteptați câteva minute înainte de a-l pune la locul lui. Păstrați aparatul în loc uscat și protejat împotriva prafului. Când încălzitorul este din nou utilizat, verificați condițiile cablului de alimentare; dacă aveți îndoieli privind buna condiție a acestuia, solicitați intervenția serviciului de asistență tehnică. În orice caz, solicitați verificarea funcționării corecte a încălzitorului de către serviciul de asistență tehnică cel puțin o dată pe an și/sau în funcție de necesități.

►► 7. CONECTAREA TERMOSTATULUI AMBIENT LA DISTANȚĂ

Înlăturați capacul conectat la încălzitor și conectați termostatul ambient la distanță (Fig. 4).

ATENȚIE: PENTRU O FUNCȚIONARE CORECTĂ, ÎNCĂLZITORUL TREBUIE SĂ AIBĂ CONECTATĂ FIE PROTECȚIA CAPACULUI, FIE TERMOSTATUL AMBIENT LA DISTANȚĂ, ÎN CAZ CONTRAR ÎNCĂLZITORUL NU PORNEȘTE.

►► 8. IDENTIFICAREA PROBLEMELOR

PROBLEMĂ	CAUZA POSIBILĂ	SOLUȚIA POSIBILĂ
Încălzitorul nu funcționează	1. Selector de putere în poziția „0/OFF” 2. Conectare sau setare incorectă a termostatului ambient 3. Lipsă alimentare 4. Aparatul de încălzire blocat	1. Poziționați selectorul de putere la modalitatea dorită 2a. Introduceți corect ștecherul termostatului ambient 2b. Verificați ca temperatura setată pe termostatul ambient să fie mai mare decât temperatura externă 2c. Verificați introducerea corectă a capacului prizei termostatului 3a. Introduceți corect ștecherul în priza de alimentare 3b. Verificați funcționarea corectă a instalației electrice 3c. Adresați-vă centrului de asistență tehnică 4a. Restabiliți încălzitorul 4b. Adresați-vă centrului de asistență tehnică
Motorul nu funcționează	1. Motor defect 2. Ventilator blocat	1. Adresați-vă centrului de asistență tehnică 2a. Înlăturați blocajele 2b. Adresați-vă centrului de asistență tehnică
Încălzitorul nu încălzește	1. Selector de putere în poziția „VENTILARE” 2. Echipament intern defect	1. Poziționați selectorul de putere pe „ÎNCĂLZIRE” 2. Adresați-vă centrului de asistență tehnică
Flux de aer redus	1. Priză de aer blocată 2. Motor defect	1a. Înlăturați blocajele 1b. Adresați-vă centrului de asistență tehnică 2. Adresați-vă centrului de asistență tehnică

►► 1. INFORMÁCIE O BEZPEČNOSTI

(Obr. 1)

Táto séria ohrievačov teplého vzduchu je vhodná najmä na dosiahnutie a udržanie vysokých teplôt (~ 60 °C / 140 °F) v izolovaných, uzatvorených priestoroch s vhodnými rozmermi. Tieto ohrievače vyhovujú podmienkam, stanoveným platnou európskou smernicou.

DÔLEŽITÉ: Prečítajte s porozumením tento návod skôr, kým pristúpite k montáži, spusteniu do prevádzky alebo údržbe uvedeného ohrievača. Nesprávne používanie ohrievača môže spôsobiť vážne poranenia. Uschovajte tento návod pre budúce použitie.

DÔLEŽITÉ: Tento ohrievač nie je určený pre používanie osobami (vrátane detí) so zníženými fyzickými, zmyslovými alebo duševnými schopnosťami, alebo neskúsenými osobami, pokiaľ nie sú pod dohľadom osoby zodpovednej za ich bezpečnosť. Deti musia byť pod dozorom, aby sa zaistilo, že sa nebudú s ohrievačom hrať.

DÔLEŽITÉ: Všetky operácie čistenia, údržby a opráv, ktoré predpokladajú prístup k nebezpečným súčiastkam (ako je napríklad výmena napájacieho kábla) musí realizovať výrobca, jeho autorizované servisné stredisko, osoba s podobnou kvalifikáciou tak, aby sa zabránilo prípadným rizikám, a to aj keď je zariadenie odpojené od elektrického napájania.

DÔLEŽITÉ: Počas používania ohrievača dodržiavajte všetky miestne predpisy a platné normy.

DÔLEŽITÉ: Tento ohrievač môže dosahovať vysoké teploty. Aby sa zabránilo závažným škodám, je kľúčové používať ohrievač bezpečne, venovať maximálnu pozornosť tomu, aby sa v prostredí nevyskytovali materiály, predmety atď. citlivé na vysoké teploty (~ 60 °C / 140 °F).

► 1.1. Ohrievač používaný v blízkosti plachiet, stanov a iných podobných krycích materiálov musí byť umiestnený v bezpečnej vzdialenosti od nich.

► 1.2. Chráňte ohrievač pred pôsobením vlhkosti, vody a poveternostných vplyvov, aby ste zabránili jeho vážnemu poškodeniu.

► 1.3. Dodržujte bezpečnú vzdialenosť teplých častí ohrievača od horľavých alebo tepelne nestálych materiálov (vrátane napájacieho kábla).

► 1.4. Keď je ohrievač teplý alebo zapojený do elektrickej siete alebo v prevádzke, nesmie sa nikdy premiestňovať, manipulovať s ním alebo vykonávať na ňom akúkoľvek údržbu.

► 1.5. Umiestnite teplý ohrievač alebo ohrievač v prevádzke na pevný a rovný povrch, aby sa zabránilo nebezpečenstvu vzniku požiaru.

► 1.6. Udržujte domáce zvieratá v bezpečnej vzdialenosti od ohrievača.

► 1.7. Napájajte ohrievač iba prúdom s napätím a frekvenciou, ako je uvedené na typovom štítku ohrievača.

► 1.8. Uistite sa o správnom pripojení ohrievača k elektrickej sieti, ktorá je vybavená príslušným prúdovým chráničom a s riadnym uzemnením.

► 1.9. Ak je napájací kábel poškodený, musí byť vymenený servisnou technickou službou, aby sa predišlo akémukoľvek riziku.

► 1.10. Keď ohrievač nepoužívate, odpojte ho od elektrickej siete.

► 1.11. Ak je ohrievač ponechaný na prechodnú dobu v podmienkach so zníženou bezpečnosťou, zabezpečte, aby nemohol byť používaný a v každom prípade ho odpojte od elektrickej siete.

► 1.12. Nevytvárajte ani čiastočné prekážky prístupu vzduchu, ani vychádzajúcemu vzduchu ohrievača. Ohrievač má veľmi výkonný ventilátor, takže v priebehu používania musí byť okolité prostredie čisté a nesmú sa v ňom vyskytovať predmety, ktoré by sa mohli nasat'.

► 1.13. Vyhnite sa regulovaniu prúdu vzduchu inak, ako cez originálne sady (ak sa s nimi počíta).

► 1.14. Neprikrývajte ohrievač, mohol by sa začať prehrievať.

► 1.15. Nechajte skontrolovať technickou asistenciou správne fungovanie ohrievača aspoň raz do roka a/alebo podľa potreby.

VÝROBCA ODMIETA AKÚKOL'VEK ZODPOVEDNOSŤ ZA ŠKODY NA VECIACH A/ALEBO OSOBÁCH, SPÔSOBENÉ NESPRÁVNÝM POUŽÍVANÍM OHRIEVAČA.

VYKONÁVAŤ ZÁSAHY NA OHRIEVAČI MÔŽU IBA KVALIFIKOVANÍ A POVERENÍ PRACOVNÍCI.

►► 2. ROZBALENIE

UPOZORNENIE: Obalový materiál nie je hračkou pre deti. Uchovávajte plastové vrecúško mimo dosahu detí, hrozí nebezpečenstvo udusení!

► 2.1. Odstráňte všetky obalové materiály, ktoré boli použité na zabalenie a dodanie ohrievača a likvidujte ich podľa platných predpisov.

► 2.2. Z obalu vyberte všetky diely.

► 2.3. Skontrolujte prípadné škody, ktoré vznikli v priebehu prepravy. Ak sa vám zdá ohrievač poškodený, okamžite informujte predajcu, u ktorého bol zakúpený.

►► 3. MONTÁŽ

Niektoré modely môžu byť vybavené kolieskami, držiakmi, podstavcami a prípojným káblom. Mechanické komponenty, spolu s príslušnými upevňovacími skrutkami, sa nachádzajú v balení s ohrievačom a musia byť zmontované ešte pred jeho zapojením.

►► 4. OVLÁDACÍ PANEL

(Obr. 2)

A. Volič výkonu;

B. Kontrolka prítomnosti napätia;

C. Kontrolka zablokovaného stroja;

D. Zásuvka termostatu prostredia;

E. Tlačidlo „RESET“.

►► 5. PREVÁDZKA

UPOZORNENIE: Za účelom správneho používania a vylúčenia rizík si prečítajte s porozumením, a postupujte v súlade s „INFORMÁCIAMI O BEZPEČNOSTI“ ešte pred zapojením ohrievača do prevádzky.

UPOZORNENIE: Skontrolujte neporušenosť napájacieho kábla a elektrické vlastnosti siete, aby zodpovedali údajom na štítku s technickými údajmi ohrievača.

UPOZORNENIE: Nikdy nepoužívajte ohrievač bez toho, aby ste predtým správne namontovali všetky komponenty a ubezpečte sa, že je ohrievač umiestnený na dokonale rovnom, stabilnom a nivelovanom povrchu.

►► 5.1. ZAPNUTIE:

► 5.1.1. Pripojte zástrčku ohrievača k elektrickej sieti (Obr. 3).

► 5.1.2. Pripojte termostat prostredia k ohrievaču (Obr. 4) (Ohrievač bez pripojeného termostatu prostredia bude fungovať na maximálny vykurovací výkon).

► 5.1.3. Otočte volič výkonu do požadovanej polohy (A Obr. 2). Možné nastavenia:

- Pokiaľ nastavíte volič výkonu na „VENTILÁTOR“, ohrievač bude pracovať výhradne v režime ventilátora.
- Pokiaľ nastavíte volič výkonu na „KÚRENIE“, ohrievač bude pracovať na maximálny vykurovací výkon.

UPOZORNENIE: SÉRIA SENZOROV SKONTROLUJE SPRÁVNE FUNGOVANIE OHRIEVAČA ZABLOKOVANÍM ZARIADENIA, AK SA OBJAVÍ VÁŽNA PORUCHA. OPĀTOVNÉ SPUSTENIE OHRIEVAČA NIE JE AUTOMATICKÉ, ALE MUSÍ BYŤ VYKONANÉ MANUÁLNE. POČKAJTE, KÝM OHRIEVAČ ÚPLNE VYCHLADNE, VYRIEŠTE PRÍPADNÚ PORUCHU, KTORÁ SPÔSOBILA ZABLOKOVANIE OHRIEVAČA (NAPR. ODSTRÁNITE PREKÁŽKY V PRÍSTUPE VZDUCHU, NEDOSTATOČNÉ ODVÁDZANIE VZDUCHU, ATĎ.) STLAČTE NA DORAZ TLAČIDLO „RESET“ (Obr. 5), A PRESVEDČTE SA, ČI „KONTROLKA ZABLOKOVANÉHO OHRIEVAČA“ (C Obr. 2) ZHASLA. AK OHRIEVAČ NEFUNGUJE ANI PO NIEKOLKÝCH POKUSOCH OBNOVENIA FUNGOVANIA, OBRÁŤTE

SA NA TECHNICKÚ ASISTENCIU.

►► 5.2. VYPNUTIE:

► 5.2.1. Otočte volič výkonu do polohy „0/OFF“ (A Obr. 2) a nechajte ventilátor vo funkcii až do úplného vypnutia ohrievača.

► 5.2.2. Odpojte ohrievač z elektrickej siete.

UPOZORNENIE: NEODPÁJAJTE OHRIEVAČ Z ELEKTRICKEJ SIETE SKÔR, NEŽ SA ÚPLNE ZASTAVÍ VENTILÁTOR, ABY STE SA VYHLI VÁŽNEMU POŠKODENIU.

►► 6. SKLADOVANIE

Vždy odpojte ohrievač z elektrickej siete (Obr. 10), keď sa nepoužíva a predtým, než ho prenesiete, počkajte niekoľko minút, kým úplne vychladne. Uložte ho na suchom mieste, chránenom pred prachom. Pri opätovnom použití ohrievača skontrolujte neporušenosť napájacieho kábla; ak máte pochybnosti o jeho neporušenosti, požiadajte o zásah servisného technika. Nechajte skontrolovať technickou asistenciou správne fungovanie ohrievača aspoň raz do roka a/alebo podľa potreby.

►► 7. PRIPOJENIE DIAĽKOVÉHO TERMOSTATU PROSTREDIA

Odstráňte uzáver na prístroji a zapojte diaľkový termostat prostredia (voliteľný) (Obr. 4).

UPOZORNENIE: PRE SPRÁVNE FUNGOVANIE JE TREBA OHRIEVAČ PRIPOJIŤ ČI UŽ K UZÁVERU, ALEBO DIAĽKOVÉMU TERMOSTATU PROSTREDIA; V OPAČNOM PRÍPADE SA OHRIEVAČ NEZAPNE.

►► 8. VYHLADANIE PROBLÉMU

PROBLÉM	MOŽNÁ PRÍČINA	MOŽNÉ RIEŠENIE
Ohrievač nefunguje	1. Volič výkonu v polohe „0/OFF“ 2. Chybné pripojenie alebo nastavenie termostatu prostredia 3. Chýba napájanie 4. Zablockovaný ohrievač	1. Otočte volič výkonu do požadovanej polohy 2a. Pripojte správne zástrčku termostatu prostredia 2b. Skontrolujte, či nastavená teplota na termostate prostredia je vyššia, ako vonkajšia teplota 2c. Skontrolujte správne pripojenie krytu zásuvky termostatu 3a. Pripojte správne zástrčku elektrického napájania 3b. Skontrolujte správne fungovanie vášho elektrického systému 3c. Obráťte sa na technické servisné stredisko 4a. Obnovte funkciu ohrievača 4b. Obráťte sa na technické servisné stredisko
Motor nefunguje	1. Chybný motor 2. Zadrené obehové koleso	1. Obráťte sa na technické servisné stredisko 2a. Odstráňte prekážky 2b. Obráťte sa na technické servisné stredisko
Ohrievač nevyhrieva	1. Volič výkonu v polohe „VENTILÁCIA“ 2. Vnútorne zariadenie pokazené	1. Otočte volič výkonu do polohy „KÚRENIE“ 2. Obráťte sa na technické servisné stredisko
Znížený prietok vzduchu	1. Zablockovaný prietok vzduchu 2. Chybný motor	1a. Odstráňte prekážky 1b. Obráťte sa na technické servisné stredisko 2. Obráťte sa na technické servisné stredisko

►► 1. ИНФОРМАЦИЯ ОТНОСНО БЕЗОПАСНОСТТА

(Фиг. 1)

Тази серия калорифери се препоръчва специално за постигане и поддържане на високи температури (~ 60°C / 140°F) в затворени помещения с добра изолация и подходящи размери. Тези отоплителни уреди съответстват на действащата европейска директива.

ВАЖНО: Прочетете с разбиране този работен наръчник, преди да извършите окомплектоването, пускането в действие или поддръжката на уреда. Погрешната употреба на отоплителния уред може да причини тежки наранявания. Съхранявайте този наръчник за извършване на бъдещи справки.

ВАЖНО: Този отоплителен уред не е подходящ за използване от лица (включително деца) с намалени физически, сензорни и умствени способности, или от неопитни хора, освен ако не са наблюдавани от лице, отговорно за тяхната безопасност. Децата трябва да са под контрол, за да сте сигурни, че не си играят с отоплителния уред.

ВАЖНО: Всички операции по почистване, поддръжка и ремонт, които предвиждат достъп до опасни части (като смяна на повреден захранващ кабел), трябва да се извършват от производителя, от негов център за сервизно обслужване или от лице с подобна квалификация, така че да се избегнат всякакви рискове, независимо че е предвидено изключване от захранващата мрежа.

ВАЖНО: По време на използване на отоплителния уред се придържайте към всички местни разпоредби и към действащата нормативна уредба.

ВАЖНО: Този отоплителен уред може да се нагрее до високи температури. За да избегнете сериозни повреди, е от съществено значение да използвате отоплителния уред безопасно, като внимавате максимално в помещението да няма материали, предмети и др., чувствителни на високи температури (~ 60°C / 140°F).

►1.1. Отоплителните уреди, използвани в близост до платнища, завеси или други подобни материали за покриване, трябва да бъдат поставяни на безопасно разстояние от тях.

►1.2. Дръжте отоплителния уред на безопасно разстояние от влага, вода и атмосферни влияния, за да избегнете сериозни щети по него.

►1.3. Дръжте горещите части на отоплителния уред на подходяща дистанция от запалими или термонепостоянни материали (включително захранващия кабел).

►1.4. Когато отоплителният уред е горещ, свързан към електрическата мрежа или работи, никога не трябва да бъде преместван, да се борави с него, нито да бъде подлаган на кавкито и да е мероприятна по поддръжка.

►1.5. Поставете горещия или работещ отоплителен уред върху стабилна и нивелирана повърхност, така че да избегнете рискове от пожар.

►1.6. Дръжте животните на безопасно разстояние от отоплителния уред.

►1.7. Захранвайте отоплителния уред само с ток с напрежението и честотата, посочени върху идентификационната табелка на уреда.

►1.8. Проверете дали сте свързали отоплителния уред само към електрически мрежи, разполагащи с подходящ диференциален прекъсвач и с адекватно заземяване.

►1.9. Ако захранващият кабел е повреден, трябва да се смени от сервизен център, така че да се предотвратят всякакви рискове.

►1.10. Отоплителният уред трябва да е изключен от контакта на захранващата мрежа, когато не го използвате.

►1.11. Когато отоплителният уред е оставен временно в опасни условия, направете така, че да не може да се използва и при всички случаи винаги го изключвайте от мрежовия контакт.

►1.12. Не препречвайте, дори и частично, отвора за въздух, нито изхода на въздуха на отоплителния уред. Отоплителният уред е с много мощен вентилатор и помещението наоколо трябва да е чисто и да няма предмети, които да може да бъдат засмукани по време на използването му.

►1.13. Избягвайте да насочвате въздуха във въздуховоди, освен ако не разполагате с оригинални комплекти (ако е предвиден такъв).

►1.14. Не покривайте отоплителния уред, би могъл да прегрее.

►1.15. Изисквайте центърът за сервизно обслужване да проверява дали отоплителният уред работи правилно поне веднъж годишно и/или според нуждите.

ПРОИЗВОДИТЕЛЯТ НЕ ПОЕМА НИКАКВА ОТГОВОРНОСТ ЗА ЩЕТИ НА ПРЕДМЕТИ И/ИЛИ ХОРА, СВЪРЗАНИ С НЕПРАВИЛНОТО ИЗПОЛЗВАНЕ НА КАЛОРИФЕРА.

САМО СПЕЦИАЛИЗИРАН И ОТОРИЗИРАН ОТ ПРОИЗВОДИТЕЛЯ ПЕРСОНАЛ МОЖЕ ДА СЕ НАМЕСВА ПО КАЛОРИФЕРА.

►► 2. РАЗОПАКОВАНЕ

ПРЕДУПРЕЖДЕНИЕ: Материалът на опаковката не е детска играчка. Дръжте пластмасовата торбичка на недостъпно за децата място; опасност от задушаване!

►2.1. Свалете всички опаковъчни материали, използвани за опаковане и изпращане на отоплителния уред, и ги изхвърлете съгласно действащите норми.

►2.2. Извадете всички части от опаковката.

►2.3. Проверете дали по време на транспортиране не са нанесени щети. Ако отоплителният уред изглежда повреден, осведомете незабавно дистрибутора, от когото същият е закупен.

►► 3. СГЛОБЯВАНЕ

Някои модели може да разполагат с колела, дръжки, поставки и захранващ кабел. Механичните части, окомплектовани със съответните монтажни болтове, са поставени в опаковката на калорифера и трябва да се сглобят преди включването му.

►► 4. КОМАНДЕН ПАНЕЛ

(Фиг. 2)

A. Селекторен ключ за мощност;

B. Светлинен индикатор за наличие на напрежение;

C. Светлинен индикатор за блокирала машина;

D. Контакт на стаен термостат;

E. Бутон „RESET“.

►► 5. ЕКСПЛОАТАЦИЯ

ПРЕДУПРЕЖДЕНИЕ: С цел правилно използване и избягване на рискове, прочетете с разбиране и спазвайте „ИНФОРМАЦИЯТА ЗА БЕЗОПАСНОСТ“ преди пускане в действие на отоплителния уред.

ПРЕДУПРЕЖДЕНИЕ: Проверете целостта на захранващия кабел и дали електрическите характеристики на мрежата отговарят на посоченото на табелката с технически данни на уреда.

ПРЕДУПРЕЖДЕНИЕ: Никога не използвайте уреда, без предварително да сте монтирали правилно всички компоненти, и проверете дали уредът е поставен на идеално равна, устойчива и нивелирана повърхност.

►► 5.1. ВКЛЮЧВАНЕ:

►5.1.1. Свържете щепсела на калорифера към електрическата мрежа (Фиг. 3).

►5.1.2. Свържете стайния термостат към отоплителния уред (Фиг. 4) (отоплителният уред без свързан стаен термостат работи на максимална отоплителна мощност).

►5.1.3. Завъртете селекторния ключ на желанния режим (А Фиг. 2). Възможни са следните настройки:

- При поставяне на селекторния ключ на "ВЕНТИЛАТОР" калориферът ще работи само в режим на вентилиране.
- При поставяне на селекторния ключ на "ОТОПЛЕНИЕ", калориферът ще работи на максимална отоплителна мощност.

ВНИМАНИЕ: СЕРИЯ ОТ ДАТЧИЦИ ПРОВЕРЯВА ДАЛИ КАЛОРИФЕРЪТ РАБОТИ ДОБРЕ, КАТО БЛОКИРА УРЕДА В СЛУЧАЙ НА СЕРИОЗЕН ПРОБЛЕМ. ВЪЗСТАНОВЯВАНЕТО НА РАБОТАТА НА КАЛОРИФЕРА НЕ Е АВТОМАТИЧНО, А ТРЯБВА ДА СЕ ИЗВЪРШИ РЪЧНО. ИЗЧАКАЙТЕ КАЛОРИФЕРА ДА ИЗСТИНЕ НАПЪЛНО, ОТСТРАНЕТЕ ВЪЗМОЖНАТА ПРИЧИНА, КОЯТО Е ДОВЕЛА ДО БЛОКИРАНЕ НА КАЛОРИФЕРА (НАПР. ЗАПУШВАНЕ НА ОТВОРА ЗА ВЪЗДУХ, НЕДОСТАТЪЧЕН ПРИТОК НА ВЪЗДУХ И ДР.) И НАТИСНЕТЕ ДОКРАЙ БУТОН „RESET“ (Фиг. 5), КАТО ПРОВЕРИТЕ ДАЛИ „СВЕТЛИННИЯТ ИНДИКАТОР ЗА БЛОКИРАНЕ НА КАЛОРИФЕРА (С Фиг. 2)“ СЕ ИЗКЛЮЧВА. АКО СЛЕД НЯКОЛКО ОПИТА ЗА ВЪЗСТАНОВЯВАНЕ

НА РАБОТАТА КАЛОРИФЕРЪТ ПРОДЪЛЖАВА ДА НЕ РАБОТИ, СЕ СВЪРЖЕТЕ С ЦЕНТЪРА ЗА СЕРВИЗНО ОБСЛУЖВАНЕ.

►► 5.2. ИЗКЛЮЧВАНЕ:

►5.2.1. Поставете селекторния ключ на положение „0/OFF“ (А Фиг. 2) и оставете вентилатора да работи до пълното изключване на калорифера.

►5.2.2. Изключете калорифера от електрическата мрежа.
ВНИМАНИЕ: ИЗБЯГВАЙТЕ ДА ИЗКЛЮЧВАТЕ КАЛОРИФЕРА ОТ ЕЛЕКТРИЧЕСКАТА МРЕЖА ПРЕДИ ПЪЛНОТО СПИРАНЕ НА ВЕНТИЛАТОРА, ЗА ДА ИЗБЕГНЕТЕ ОПАСНОСТТА ОТ НАНАСЯНЕ НА СЕРИОЗНИ ПОВРЕДИ.

►► 6. СЪХРАНЕНИЕ

Винаги изключвайте калорифера от електрическата мрежа (Фиг. 10), когато не се използва и преди да го оставите някъде, изчакайте няколко минути да се охлади напълно. Прибирайте го на сухо и защитено от прах място. При повторно използване на уреда, проверете състоянието на поддръжка на електрическия кабел; ако се съмнявате дали е бил съхраняван добре, се обърнете към центъра за сервизно обслужване. Във всеки случай поне веднъж годишно и/или при необходимост изисквайте центърът за сервизно обслужване да проверява дали калориферът работи добре.

►► 7. СВЪРЗВАНЕ НА ДИСТАНЦИОНЕН СТАЕН ТЕРМОСТАТ

Отстранете капачката върху калорифера и свържете дистанционния стаен термостат (Фиг. 4).

ВНИМАНИЕ: ЗАДА РАБОТИ ПРАВИЛНО, КАЛОРИФЕРЪТ ТРЯБВА ДА Е ИЛИ С ПОСТАВЕНА КАПАЧКА, ИЛИ СЪС СВЪРЗАН ДИСТАНЦИОНЕН СТАЕН ТЕРМОСТАТ, В ПРОТИВЕН СЛУЧАЙ НЕ СЕ ВКЛЮЧВА.

►► 8. ОТКРИВАНЕ НА ПРОБЛЕМИ

ПРОБЛЕМ	ВЪЗМОЖНА ПРИЧИНА	ВЪЗМОЖНО РЕШЕНИЕ
Отоплителният уред не работи	1. Селекторният ключ е на положение "0/OFF" 2. Погрешно свързване или настройване на стайния термостат 3. Липса на захранване 4. Блокирал отоплителен уред	1. Завъртете селекторния ключ на желанния режим 2а. Включете правилно щепсела на стайния термостат 2б. Проверете дали настроената температура на стайния термостат е по-висока от външната температура 2с. Проверете дали капачето на контакта на термостата е поставено правилно 3а. Поставете щепсела правилно в електрическото захранване 3б. Проверете дали електрическата Ви инсталация работи правилно 3с. Обърнете се към сервизния център 4а. Възстановете работата на отоплителния уред 4б. Обърнете се към сервизния център
Двигателят не работи	1. Повреден двигател 2. Блокирал вентилатор	1. Обърнете се към сервизния център 2а. Отстранете запушванията 2б. Обърнете се към сервизния център
Отоплителният уред не загрява	1. Селекторен ключ в положение „ВЕНТИЛАЦИЯ“ 2. Повредено вътрешно оборудване	1. Завъртете селекторния ключ на „ОТОПЛЕНИЕ“ 2. Обърнете се към сервизния център
Намален приток на въздух	1. Запушен отвор за въздуха 2. Повреден двигател	1а. Отстранете запушванията 1б. Обърнете се към сервизния център 2. Обърнете се към сервизния център

►►1. ІНФОРМАЦІЯ ЩОДО ДОТРИМАННЯ ВИМОГ БЕЗПЕКИ

(Мал. 1)

Ця серія обігрівачів з гарячим повітрям особливо підходить для досягнення та підтримки високих температур (~ 60°C / 140°F) у приміщенні, що мають відповідну ізоляцію та розміри. Ці обігрівачі відповідають чинній європейській директиві.

ВАЖЛИВА ІНФОРМАЦІЯ: Слід уважно ознайомитися із цим посібником користувача перш ніж виконувати складання, введення в експлуатацію і технічне обслуговування цього обігрівача. Неналежне використання обігрівача може спричинити важкі травми. Зберігати цей посібник для можливих консультацій.

ВАЖЛИВА ІНФОРМАЦІЯ: Цей пристрій не пристосований для використання особами (включаючи дітей) з обмеженими фізичними і розумовими можливостями або непідготовленими особами, за виключенням випадків, коли вони перебувають під наглядом особи, відповідальної за їхню безпеку. Діти повинні перебувати під наглядом, аби перешкодити їм гратися з пристроєм.

ВАЖЛИВА ІНФОРМАЦІЯ: Всі операції з чищення, обслуговування і ремонту, які передбачають доступ до небезпечних частин (наприклад, заміна пошкодженого кабелю живлення) повинні проводитися виробником, його службою технічного обслуговування, особою з необхідною фаховою підготовкою, щоб запобігти будь-якому ризику, навіть якщо передбачене відключення від електромережі.

ВАЖЛИВА ІНФОРМАЦІЯ: Під час експлуатації обігрівача дотримуйтесь всіх місцевих розпоряджень і чинних правил.

ВАЖЛИВА ІНФОРМАЦІЯ: Цей обігрівач може досягати високих температур. Щоб уникнути серйозних пошкоджень, важливо безпечно користуватися обігрівачем, приділяючи максимальну увагу, щоб в приміщенні не було матеріалів, предметів тощо, чутливих до високих температур (~ 60°C / 140°F).

►1.1. Обігрівач, який використовується поблизу завіс, тентів або подібних їм покрівельних матеріалів, повинен перебувати на безпечній відстані від них.

►1.2. Тримайте обігрівач на безпечній відстані від джерел вологи або води, атмосферних агентів, щоб уникнути серйозних пошкоджень обігрівача.

►1.3. Дотримуйтесь належної відстані між займистими матеріалами або матеріалами, які руйнуються під дією тепла (включаючи шнур живлення), гарячими частинами обігрівача.

►1.4. Забороняється переміщувати, проводити з ним будь-які дії, в тому числі ремонтні операції, якщо обігрівач гарячий, підключений до електромережі або працює.

►1.5. Щоб запобігти ризику виникнення пожежі, гарячий або працюючий обігрівач слід ставити на стійку і горизонтально рівну поверхню.

►1.6. Тримайте тварин на безпечній відстані від пристрою.

►1.7. Для роботи нагрівача використовувати лише струм з напругою і частотою, які вказані на табличці з технічними даними, яка міститься на обігрівачі.

►1.8. Переконайтеся в тому, що обігрівач підключається лише до тих електромереж, які належним чи-

ном обладнані диференціальним вимикачем та заземленням.

►1.9. Пошкоджений кабель живлення повинен бути замінений службою технічного обслуговування з метою запобігання будь-яких ризиків.

►1.10. Коли обігрівач не використовується, слід відключити його від електромережі.

►1.11. Якщо обігрівач тимчасово залишається у ненадійних умовах, слід унеможливити його використання і від'єднати від мережевої розетки.

►1.12. Незакривати, навіть частково, ні забірник повітря, ні вихід повітря обігрівача. Обігрівач має дуже потужний вентилятор, під час використання приміщення має бути чистим і без предметів, які можуть бути втягненими.

►1.13. Уникати каналізувати повітря, за винятком використання оригінальних комплектів (якщо передбачено).

►1.14. Не накривати обігрівач під час роботи, оскільки він може перегрітися.

►1.15. Правильність роботи обігрівача повинна перевірятися у сервісному центрі хоча б раз у рік і/або за необхідності.

ВИРОБНИК НЕ НЕСЕ ЖОДНОЇ ВІДПОВІДАЛЬНОСТІ ЗА ШКОДУ МАЙНУ ТА/АБО ОСОБАМ У РЕЗУЛЬТАТІ НЕНАЛЕЖНОГО ВИКОРИСТАННЯ ОБІГРІВАЧА.

ТІЛЬКИ СПЕЦІАЛІЗОВАНИЙ І УПОВНОВАЖЕНИЙ ПЕРСОНАЛ МОЖЕ ПРОВОДИТИ ОПЕРАЦІЇ ІЗ ОБІГРІВАЧЕМ.

►►2. РОЗПАКОВУВАННЯ

ПОПЕРЕДЖЕННЯ: Пакувальний матеріал не є іграшкою для дітей. Тримати пластиковий пакет поза зоною досяжності дітей: небезпека удушення!

►2.1. Видаліть весь пакувальний матеріал, використаний для пакування і пересилки обігрівача, та утилізуйте його відповідно до чинних правил.

►2.2. Звільніть від упаковки всі комплектуючі.

►2.3. Переконайтеся у відсутності пошкоджень, спричинених транспортуванням. Якщо обігрівач видається пошкодженим, негайно зв'яжіться з продавцем, в якого він був придбаний.

►►3. МОНТАЖ

Деякі моделі можуть комплектуватися колесами, рукоятками, супортами і кабелем живлення. Механічні компоненти, відповідні монтажні кріплення містяться в упаковці обігрівача та повинні бути встановлені перед увімкненням.

►►4. ПАНЕЛЬ КЕРУВАННЯ

(Мал. 2)

A. Селектор потужності;

B. Індикатор присутності напруги;

C. Індикатор блокування пристрою;

D. Розетка термостата середовища;

E. Кнопка "RESET".

►►5. РОБОТА

ПОПЕРЕДЖЕННЯ: Для правильної експлуатації і попередження ризиків, слід прочитати і виконувати інструкції із розділу "ІНФОРМАЦІЯ ПРО БЕЗПЕКУ" перш ніж вмикати обігрівач.

ПОПЕРЕДЖЕННЯ: Перевірити цілісність кабелю живлення і, що характеристики мережі електроживлення відповідають вимогам на таблиці технічних даних обігрівача.

ПОПЕРЕДЖЕННЯ: Не використовувати обігрівач, попередньо не встановивши правильно усі компоненти і не переконавшись, що обігрівач розташований на ідеально гладкій, стабільній і рівній поверхні.

►► 5.1. ВМИКАННЯ:

► 5.1.1. Під'єднати вилку обігрівача до електричної мережі (Мал. 3).

► 5.1.2. Підключити термостат до обігрівача (Мал. 4) (Нагрівач без підключеного терморегулятора буде працювати при максимальній потужності нагріву).

► 5.1.3. Повернути селектор потужності у бажаний режим (А Мал. 2). Наявні наступні режими:

- Встановлюючи селектор потужності на "ВЕНТИЛЯТОР", обігрівач буде працювати виключно у режимі вентиляції.
- Встановлюючи селектор потужності на "ОПАЛЕННЯ", обігрівач буде працювати на максимальній потужності обігріву.

УВАГА: СЕРІЯ ДАТЧИКІВ СЛІДКУЄ ЗА ПРАВИЛЬНОЮ РОБОТОЮ ОБІГРІВАЧА, БЛОКУЮЧИ ПРИСТРІЙ У ВИПАДКУ СЕРІОЗНИХ НЕСПРАВНОСТЕЙ. ПОНОВЛЕННЯ РОБОТИ ОБІГРІВАЧА НЕ ВІДБУВАЄТЬСЯ АВТОМАТИЧНО, А МАЄ ВИКОНУВАТИСЯ ВРУЧНУ. НЕОБХІДНО ДОЧЕКАТИСЯ ПОВНОГО ОХОЛОДЖЕННЯ ОБІГРІВАЧА, УСУНУТИ МОЖЛИВУ ПРИЧИНУ, ЩО ПРИЗВЕЛА ДО БЛОКУВАННЯ ОБІГРІВАЧА (НАПР. ЗАСМІЧЕННЯ ЗАБІРНИКА ПОВІТРЯ, НЕДОСТАТНЯ ПОДАЧА ПОВІТРЯ І ТОЩО.) ПОТІМ ПОВНІСТЮ НАТИСНУТИ

КНОПКУ "СКИДАННЯ" (Мал. 5), ПЕРЕВІРЯЮЧИ, ЩОБ "ІНДИКАТОР БЛОКУВАННЯ ОБІГРІВАЧА (С Мал. 2)" ВИМКНУЛАСЯ. ЯКЩО ПІСЛЯ ДЕКІЛЬКОХ СПРОБ ПОНОВЛЕННЯ РОБОТИ ОБІГРІВАЧ НЕ ПРАЦЮЄ, СЛІД ЗВЕРНУТИСЯ ДО СЕРВІСНОЇ СЛУЖБИ.

►► 5.2. ВИМИКАННЯ:

► 5.2.1. Встановити селектор потужності в положення "0/OFF" (А Мал. 2) і залишити вентилятор працювати до повного відключення обігрівача.

► 5.2.2. Від'єднати обігрівач від мережі електроживлення.

УВАГА: УНИКАТИ ВІД'ЄДНУВАТИ ОБІГРІВАЧ ВІД ЕЛЕКТРИЧНОЇ МЕРЕЖІ ДО ПОВНОЇ ЗУПИНКИ ВЕНТИЛЯТОРА, ЩОБ УНИКНУТИ СКЛАДНИХ ПОШКОДЖЕНЬ.

►► 6. ЗБЕРІГАННЯ

Відключити обігрівач від мережі електроживлення (Мал. 10), якщо він не використовується, перш ніж помістити його на зберігання, слід почекати декілька хвилин, поки він повністю охолоне. Зберігати обігрівач у сухому місці, захищеному від пилу. Якщо обігрівач буде знову використовуватись, слід перевірити стан кабелю живлення; за наявності сумнівів щодо цілісності, варто звернутися у сервісну службу. Правильність обігрівача повинна перевірятися у сервісному центрі хоча б раз у рік і /або за необхідності.

►► 7. ПІДКЛЮЧЕННЯ ДИСТАНЦІЙНОГО ТЕРМОСТАТУ

Зняти кришку, підключену до обігрівача, і під'єднати дистанційний термостат приміщення (додатково) (Мал. 4).

УВАГА: ДЛЯ ПРАВИЛЬНОЇ ЕКСПЛУАТАЦІЇ, ОБІГРІВАЧ ПОВИНЕН МАТИ АБО ПОКРИШКУ, АБО ВІДДАЛЕНИЙ ТЕРМОСТАТ, БО ІНАКШЕ ОБІГРІВАЧ НЕ ВВИМКНЕТЬСЯ.

►► 8. ПОШУК НЕСПРАВНОСТЕЙ

НЕСПРАВНІСТЬ	МОЖЛИВА ПРИЧИНА	МОЖЛИВЕ РІШЕННЯ
Обігрівач не працює	<ol style="list-style-type: none"> 1. Селектор потужності у положенні "0/OFF" 2. Неправильне під'єднання або налаштування термостату приміщення 3. Відсутнє живлення 4. Обігрівач заблокований 	<ol style="list-style-type: none"> 1. Повернути селектор потужності у бажаний режим 2a. Правильно вставити вилку термостату 2b. Перевірити, щоб температура встановлена на термостаті приміщення була вищою за зовнішню температуру 2c. Перевірити, чи правильно вставлений ковпак розетки термостата 3a. Правильно вставити вилку в мережу електроживлення 3b. Перевірити правильність роботи вашої електричної системи 3c. Зверніться у сервісний центр 4a. Поновити роботу обігрівача 4b. Зверніться у сервісний центр
Двигун не працює	<ol style="list-style-type: none"> 1. Несправний двигун 2. Вентилятор заблокований 	<ol style="list-style-type: none"> 1. Зверніться у сервісний центр 2a. Усунути перешкоди 2b. Зверніться у сервісний центр
Обігрівач не нагрівається	<ol style="list-style-type: none"> 1. Селектор потужності у положенні "ВЕНТИЛЯЦІЯ" 2. Внутрішні пристрої несправні 	<ol style="list-style-type: none"> 1. Повернути селектор потужності у "НАГРІВАННЯ" 2. Зверніться у сервісний центр
Слабкий потік повітря	<ol style="list-style-type: none"> 1. Забірник повітря засмічений 2. Несправний двигун 	<ol style="list-style-type: none"> 1a. Усунути перешкоди 1b. Зверніться у сервісний центр 2. Зверніться у сервісний центр

►► 1. INFORMACIJE O SIGURNOSTI

(Sl. 1)

Ova serija grijača za topli vazduh je posebno pogodna za postizanje i održavanje visokih temperatura (~ 60°C / 140°F) u odgovarajuće izolovanim i dimenzionisanim unutrašnjim okruženjima. Ovi su grijači u skladu s važećom evropskom direktivom.

VAŽNO: Pročitajte i shvatite ovaj radni priručnik prije nego što obavite sastavljanje, puštanje u rad ili održavanje ovog grijača. Neproписno korištenje grijača može dovesti do ozbiljnih povreda. Čuvajte ovaj priručnik da biste ga mogli u budućnosti konsultovati.

VAŽNO: Ovaj grijač nije namijenjen korištenju od strane osoba (uključujući i djecu) koje imaju smanjene fizičke, senzorne i mentalne sposobnosti osim u slučaju da ih nadgleda osoba odgovorna za njihovu sigurnost. Morate kontrolisati djecu da se ne bi igrala sa grijačem.

VAŽNO: Sve operacije čišćenja, održavanja i popravljivanja koje predviđaju pristup opasnim dijelovima (kao što je na primjer zamjena oštećenog kabla za napajanje) mora obaviti proizvođač, njegova servisna služba, osoba sa sličnom kvalifikacijom na način da se spriječi bilo koji rizik bez obzira na činjenicu da se predviđa i iskapčanje sa mreže za napajanje.

VAŽNO: Tokom korištenja grijača, pridržavajte se svih lokalnih propisa i važećih standarda.

VAŽNO: Ovaj grijač može dostići visoke temperature. Da bi se izbjegla ozbiljna oštećenja, neophodno je koristiti grijač na siguran način i posvetiti najveću pažnju da u okolini nema materijala, predmeta itd. osjetljivih na visoke temperature (~ 60°C / 140°F).

► 1.1. Grijač korišten u blizini cerada, tenda ili ostalih sličnih materijala za pokrivanje se mora postaviti na sigurnosnu udaljenost od istih.

► 1.2. Držite grijač na sigurnoj udaljenosti od vlage, vode i atmosferskih utjecaja da ne bi došlo do ozbiljnih oštećenja grijača.

► 1.3. Održavajte odgovarajuću udaljenost od zapaljivih materijala, ili onih termolabilnih (uključujući kabl za napajanje) vrućih dijelova grijača.

► 1.4. Kada je grijač topao, ukopčan na električnu mrežu ili kada radi, nikada se ne smije pomjerati, niti rukovati niti podvrgavati bilo kakvoj intervenciji održavanja.

► 1.5. Postavite topli grijač, ili dok radi na ravnu i stabilnu površinu da bi se izbjegle opasnosti od požara.

► 1.6. Držite životinje na sigurnosnoj udaljenosti od grijača.

► 1.7. Napajajte grijač samo strujom koja ima napon i frekvenciju navedene na identifikacionoj pločici grijača.

► 1.8. Uvjerite se da ste povezali grijač samo na električnu mrežu opremljenu diferencijalnim prekidačem i adekvatnim uzemljenjem.

► 1.9. Ako je kabl za napajanje oštećen, mora ga zamijeniti centar za tehničku pomoć, kako bi se spriječio bilo kakav rizik.

► 1.10. Iskopčajte grijač iz mrežne utičnica kada ga ne koristite.

► 1.11. Ako je grijač privremeno ostavljen u nesigurnim uslovima, provjerite da se ne može koristiti i u svakom slučaju ga uvijek iskopčajte iz utičnice.

► 1.12. Nikada ne blokirajte, čak niti djelomično, otvor za dovod vazduha niti onaj za odvod vazduha iz grijača. Grijač ima vrlo snažan ventilator, tokom upotrebe okolno okruženje mora biti čisto i bez predmeta koji se mogu usisavati.

► 1.13. Izbjegavajte sprovođenje vazduha kompletima koji nisu originalni (tamo gdje se to predviđa).

► 1.14. Ne prekrivajte grijač, može se pregrijati.

► 1.15. Barem jedan put na godinu i/ili po potrebi, neka tehnički servis provjeri ispravan rad grijača.

PROIZVOĐAČ OTKLANJA SA SEBE SVU ODGOVORNOST ZA ŠTETU NANESENU NA PREDMETIMA I/ILI OSOBAMA A KOJE SU POSLJEDICA NEPRAVILNOG KORIŠTENJA GRIJAČA.

SAMO STRUČNO OSOBLJE KOJE JE OVLASTIO PROIZVOĐAČ MOŽE IZVODITI INTERVENCIJE NA GRIJAČU.

►► 2. UKLANJANJE AMBALAŽE

UPOZORENJE: Ambalažni materijal nije igračka za djecu. Držite plastičnu kesicu daleko od domašaja djece; postoji opasnost od gušenja!

► 2.1. Uklonite sav ambalažni materijal korišten za pakovanje i slanje grijača te ga odložite u skladu sa važećim propisima.

► 2.2. Izvadite sve predmete iz pakovanja.

► 2.3. Provjerite da li je došlo do oštećenja tokom transporta. Ako primijetite oštećenja na grijaču, odmah o tome obavijestite prodavača kod kojeg ste ga kupili.

►► 3. SASTAVLJANJE

Neki modeli mogu biti opremljeni točkovima, ručkama, nosačima i kablom za napajanje. Mehaničke komponente, zajedno sa odgovarajućim vijcima za montažu, nalaze se u ambalaži grijača i moraju se sastaviti prije uključivanja.

►► 4. KONTROLNA TABLA

(Sl. 2)

- A. Izbornik napajanja;
- B. Lampica prisustva napona;
- C. Lampica uređaj u blokadi;
- D. Utičnica prostornog termostata;
- E. Dugme za "RESET".

►► 5. RAD

UPOZORENJE: Da biste pravilno koristili i izbjegli rizike, prije upotrebe grijača pročitajte, shvatite i slijedite "SIGURNOSNE INFORMACIJE".

UPOZORENJE: Provjerite savršenu cjelovitost kabla za napajanje i da li električne karakteristike mreže odgovaraju onim koje su navedene na pločici sa tehničkim podacima grijača.

UPOZORENJE: Nikada ne koristite grijač bez da ste ispravno sastavili sve komponente i uvjerite da je grijač postavljen na savršeno ravnoj, stabilnoj i nivoiranoj površini.

▶▶ 5.1. UKLJUČIVANJE:

▶ 5.1.1. Spojite utikač grijača u električnu mrežu (Sl. 3).
▶ 5.1.2. Povežite prostorni termostad na grijač (Sl. 4) (Grijač bez priključenog prostornog termostata radiće na maksimalnoj snazi grijanja).

▶ 5.1.3. Postavite izbornik snage na željeni način rada (A Sl. 2). Moguća su sljedeća podešavanja:

- Postavite li izbornik za napajanje na "VENTILATOR", grijač će raditi isključivo u načinu rada ventilacije.
- Postavite li izbornik za napajanje na "GRIJANJE", grijač će raditi na maksimalnoj snazi grijanja.

PAŽNJA: NIZ SENZORA STALNO PROVJERAVA PRAVILNO FUNKCIONISANJE GRIJAČA, ZAUSTAVLJAJUĆI UREĐAJ U SLUČAJU TEŠKIH ANOMALIJA. OPORAVAK GRIJAČA NIJE AUTOMATSKI NEGO SE MORA OBAVITI RUČNO. SAČEKAJTE DA SE GRIJAČ U POTPUNOSTI OHLADI, UKLONITE MOGUĆE UZROKE KOJI SU DOVELI DO BLOKADE GRIJAČA (NPR. ZAČEPLJENJE OTVORA ZA VAZDUH, NEDOVOLJNI PROTOK VAZDUHA, ITD.) I PRITISNITE DO KRAJA DUGME ZA "RESET" (Sl. 5), UVJERITE SE DA ĆE SE "LAMPICA GRIJAČ U STANJU BLOKADE (C Sl. 2)" UGASITI. AKO NI NAKON NEKOLIKO POKUŠAJA OPORAVKA, GRIJAČ I DALJE NE BUDE RADIO, KONTAKTIRAJTEHNIČKI SERVIS.

▶▶ 5.2. ISKLJUČIVANJE:

▶ 5.2.1. Postavite selektor za napajanje u položaj "0/OFF (isklj)" (A Sl. 2) i pustite ventilator da radi sve dok se grijač u potpunosti ne isključi.

▶ 5.2.2. Iskopčajte grijač iz električne mreže.

PAŽNJA: NE POKUŠAVAJTE ISKLJUČIVATI GRIJAČ S ELEKTRIČNE MREŽE PRIJE NEGO ŠTO SE VENTILATOR U POTPUNOSTI NE ZAUSTAVI, NA NAČIN DA SE IZBJEGNU OZBILJNA OŠTEĆENJA.

▶▶ 6. ČUVANJE

Iskopčajte uvijek grijač iz električne mreže (Sl. 10), kada se više ne bude koristio ili prije nego što ga spremite, sačekajte nekoliko minuta na način da se u potpunosti ohladi. Spremite ga u suho okruženje zaštićeno od prašine. Kada se grijač bude ponovo koristio, provjerite status održavanja kabla za napajanje; ako sumnjate u dobro očuvanje, zatražite tehničku pomoć. U svakom slučaju, barem jedan put na godinu i/ili po potrebi, neka tehnički servis provjeri ispravan rad grijača.

▶▶ 7. POVEZIVANJE DALJINSKOG, PROSTORNOG TERMOSTATA

Uklonite čep povezan na grijač i povežite daljinski, prostorni termostad (Sl. 4).

PAŽNJA: ZA PRAVILAN RAD, GRIJAČ MORA IMATI POVEZAN ILI POKLOPAC, ILI DALJINSKI, PROSTORNI TERMOSTAD, U SUPROTNOM SLUČAJU SE GRIJAČ NEĆE UKLJUČITI.

▶▶ 8. PRONALAZENJE PROBLEMA

PROBLEM	MOGUĆI UZROK	MOGUĆE RJEŠENJE
Grijač ne radi	1. Selektor za napajanje u položaju "0/OFF (isklj)" 2. Pogrešno povezivanje ili podešavanje prostornog termostata 3. Nema napajanja 4. Grijač je u stanju blokade	1. Postavite izbornik snage na željeni način rada 2a. Pravilno ukopčajte utikač prostornog termostata 2b. Provjerite da li je temperatura postavljena na prostornom termostatu viša od spoljašnje temperature 2c. Provjerite da li je poklopac utičnice termostata pravilno postavljen 3a. Pravilno ukopčajte utikač u mjesto za napajanje strujom 3b. Provjerite ispravan rad vašeg električnog sistema 3c. Kontaktirajte servisni centar 4a. Oporavite grijač 4b. Kontaktirajte servisni centar
Motor ne radi	1. Motor je u kvaru 2. Ventilator je blokiran	1. Kontaktirajte servisni centar 2a. Uklonite prepreke 2b. Kontaktirajte servisni centar
Grijač ne grije	1. Selektor za napajanje u položaju "VENTILACIJA" 2. Unutrašnji uređaji su u kvaru	1. Postavite izbornik snage na "GRIJANJE" 2. Kontaktirajte servisni centar
Smanjen protok vazduha	1. Začepljen dovod vazduha 2. Motor je u kvaru	1a. Uklonite prepreke 1b. Kontaktirajte servisni centar 2. Kontaktirajte servisni centar

►►1. ΠΛΗΡΟΦΟΡΙΕΣ ΓΙΑ ΤΗΝ ΑΣΦΑΛΕΙΑ

(Εικ. 1)

Αυτή η σειρά θερμαντήρων θερμού αέρα ενδείκνυται ιδιαίτερα για την επίτευξη και διατήρηση υψηλών θερμοκρασιών (~60 °C/140 °F) σε κλειστούς χώρους με κατάλληλη μόνωση και μέγεθος. Αυτοί οι θερμαντήρες είναι συμβατοί με την ευρωπαϊκή οδηγία σε ισχύ.

ΣΗΜΑΝΤΙΚΟ: Διαβάστε και κατανοήστε αυτό το εγχειρίδιο οδηγιών λειτουργίας, πριν αρχίσετε τη συναρμολόγηση, τη θέση σε λειτουργία ή/και τη συντήρηση αυτού του θερμαντήρα. Η λανθασμένη χρήση του θερμαντήρα μπορεί να προκαλέσει σοβαρό τραυματισμό. Φυλάξτε το εγχειρίδιο αυτό σε περίπτωση μελλοντικής αναφοράς.

ΣΗΜΑΝΤΙΚΟ: Αυτός ο θερμαντήρας δεν είναι κατάλληλος για χρήση από άτομα (συμπεριλαμβανομένων των παιδιών) με μειωμένες σωματικές, αισθητηριακές ή διανοητικές ικανότητες, ή άπειρα, εκτός αν επιβλέπονται από ένα πρόσωπο υπεύθυνο για την ασφάλειά τους. Τα παιδιά πρέπει να επιτηρούνται για να εξασφαλιστεί ότι δεν παίζουν με το εργαλείο.

ΣΗΜΑΝΤΙΚΟ: Όλες οι εργασίες καθαρισμού, συντήρησης και επισκευής που προβλέπουν πρόσβαση σε επικίνδυνα μέρη (όπως η αντικατάσταση κατεστραμμένου καλωδίου ρεύματος) πρέπει να διεξάγονται από τον κατασκευαστή ή από την υπηρεσία τεχνικής υποστήριξης του, από ένα εξειδικευμένο άτομο, έτσι ώστε να εξαλειφθεί κάθε κίνδυνος, ακόμη και αν υπάρχει αποσύνδεση από το δίκτυο.

ΣΗΜΑΝΤΙΚΟ: Κατά τη διάρκεια της χρήσης του θερμαντήρα, ακολουθήστε όλους τους τοπικούς κανονισμούς και την ισχύουσα νομοθεσία.

ΣΗΜΑΝΤΙΚΟ: Ο θερμαντήρας αυτός μπορεί να προκαλέσει υψηλές θερμοκρασίες. Για να αποφευχθούν ενδεχόμενες σοβαρές ζημιές, πρέπει να χρησιμοποιείτε τον θερμαντήρα με ασφάλεια. Στον θερμαινόμενο χώρο δεν πρέπει να υπάρχουν υλικά, αντικείμενα, κ.λπ., που είναι ευαίσθητα στις υψηλές θερμοκρασίες (~60 °C/140 °F).

►1.1. Ο θερμαντήρας που χρησιμοποιείται κοντά σε τέντες, κουρτίνες ή άλλα παρόμοια υλικά κάλυψης, πρέπει να βρίσκεται σε απόσταση ασφαλείας από αυτά.

►1.2. Κρατήστε τον θερμαντήρα σε ασφαλή απόσταση από την υγρασία, το νερό και ατμοσφαιρικούς παράγοντες, προκειμένου να αποφευχθούν σοβαρές ζημιές στο θερμαντήρα.

►1.3. Κρατήστε τη σωστή απόσταση από τα εύφλεκτα ή θερμοδιασπώμενα υλικά (συμπεριλαμβανομένου του καλωδίου τροφοδοσίας) από τα ζεστά μέρη του θερμαντήρα.

►1.4. Όταν η συσκευή είναι ζεστή, ή συνδεθεί με το ηλεκτρικό δίκτυο, ή βρίσκεται σε λειτουργία δεν πρέπει ποτέ να μετακινηθεί, ή να υποστεί παρεμβάσεις ή καμία συντήρηση.

►1.5. Τοποθετήστε το ζεστό θερμαντήρα, ή σε λειτουργία σε μια σταθερή, επίπεδη επιφάνεια, προκειμένου να αποφευχθεί πυρκαγιά.

►1.6. Κρατήστε τα ζώα σε απόσταση ασφαλείας από το θερμαντήρα.

►1.7. Τροφοδοτήστε το θερμαντήρα μόνο με ρεύμα που έχει την τάση και τη συχνότητα που καθορίζεται στην πινακίδα του θερμαντήρα.

►1.8. Βεβαιωθείτε για τη σύνδεση του θερμαντήρα σε ένα ηλεκτρικό δίκτυο κατάλληλα εξοπλισμένο με διαφορικό διακόπτη και γείωση.

►1.9. Αν το καλώδιο τροφοδοσίας έχει υποστεί ζημιά θα πρέπει να αντικαθίσταται από την υπηρεσία τεχνικής υποστήριξης προκειμένου να αποφευχθεί κάθε κίνδυνος.

►1.10. Αποσυνδέστε το θερμαντήρα από την ηλεκτρική πρίζα, όταν δεν το χρησιμοποιείτε.

►1.11. Όταν ο θερμαντήρας αφεθεί προσωρινά σε ανασφαλείς συνθήκες, βεβαιωθείτε ότι δεν μπορεί να χρησιμοποιηθεί και σε κάθε περίπτωση να τον αποσυνδέετε πάντοτε από την πρίζα.

►1.12. Μηνεμποδίζετε, έστω και μερικώς, το άνοιγμα λήψης αέρα ή την έξοδο του αέρα του θερμαντήρα. Ο ανεμιστήρας του θερμαντήρα είναι πολύ ισχυρός. Κατά τη χρήση, ο περιβάλλον χώρος πρέπει να είναι ελεύθερος και χωρίς αντικείμενα που θα μπορούσαν να απορροφηθούν.

►1.13. Αποφύγετε την διοχέτευση του αέρα, αν όχι με το γνήσιο κιτ (όπου προβλέπεται).

►1.14. Μην καλύπτετε τον θερμαντήρα· θα μπορούσε να υπερθερμανθεί.

►1.15. Με τον τεχνικό σας θα πρέπει να ελέγχετε τη σωστή λειτουργία του θερμαντήρα, τουλάχιστον μία φορά το χρόνο ή / και όπως απαιτείται.

Ο ΚΑΤΑΣΚΕΥΑΣΤΗΣ ΔΕΝ ΕΥΘΥΝΕΤΑΙ ΓΙΑ ΟΠΟΙΑΔΗΠΟΤΕ ΖΗΜΙΑ ΣΕ ΑΝΤΙΚΕΙΜΕΝΑ ΚΑΙ/Η ΠΡΑΓΜΑΤΑ, ΠΟΥ ΠΡΟΚΥΠΟΥΝ ΚΑΚΗ ΧΡΗΣΗ ΤΟΥ ΘΕΡΜΑΝΤΗΡΑ.

ΜΟΝΟ ΕΚΠΑΙΔΕΥΜΕΝΟ ΚΑΙ ΕΞΟΥΣΙΟΔΟΤΗΜΕΝΟ ΠΡΟΣΩΠΙΚΟ ΑΠΟ ΤΟΝ ΚΑΤΑΣΚΕΥΑΣΤΗ ΘΑ ΠΡΕΠΕΙ ΝΑ ΠΑΡΕΜΒΑΙΝΕΙ ΣΤΟΝ ΘΕΡΜΑΝΤΗΡΑ.

►►2. ΑΠΟΣΥΣΚΕΥΑΣΙΑ

ΠΡΟΕΙΔΟΠΟΙΗΣΗ: Το υλικό της συσκευασίας δεν είναι παιχνίδι για παιδιά. Κρατήστε την πλαστική σακούλα μακριά από τα παιδιά. Κίνδυνος ασφυξίας!

►2.1. Αφαιρέστε όλα τα υλικά του περιτυλίγματος που έχουν χρησιμοποιηθεί για τη συσκευασία και την αποστολή του θερμαντήρα και απορρίψτε τα σύμφωνα με τους ισχύοντες κανονισμούς.

►2.2. Αφαιρέστε όλα τα συστατικά μέρη από το περιτύλιγμα.

►2.3. Ελέγξτε για τυχόν ζημιές κατά τη διάρκεια της μεταφοράς. Αν ο θερμαντήρας έχει υποστεί ζημιά, ειδοποιήστε αμέσως τον αντιπρόσωπο από όπου τον αγοράσατε.

►►3. ΣΥΝΑΡΜΟΛΟΓΗΣΗ

Ορισμένα μοντέλα μπορεί να διαθέτουν τροχούς, λαβές, στηρίγματα και καλώδιο τροφοδοσίας. Τα μηχανικά εξαρτήματα, μαζί με τις βίδες για την σχετική τοποθέτηση του υλικού, βρίσκονται στη συσκευασία του θερμαντήρα και πρέπει να συναρμολογηθούν πριν την ανάφλεξη.

►►4. ΠΙΝΑΚΑΣ ΕΛΕΓΧΟΥ

(Εικ. 2)

A. Επιλογέας ισχύος.

B. Λυχνία παρουσίας τάσης.

C. Λυχνία μηχανής σε εμπλοκή.

D. Λήψη θερμοστάτη περιβάλλοντος.

E. Κουμπί "RESET".

►►5. ΛΕΙΤΟΥΡΓΙΑ:

ΠΡΟΕΙΔΟΠΟΙΗΣΗ: Για να χρησιμοποιήσετε σωστά και να αποφύγετε κινδύνους διαβάστε, κατανοήστε και ακολουθήστε τις "ΟΔΗΓΙΕΣ ΑΣΦΑΛΕΙΑΣ", πριν από την ενεργοποίηση του θερμαντήρα.

ΠΡΟΕΙΔΟΠΟΙΗΣΗ: Επιβεβαιώστε την ακεραιότητα του καλωδίου τροφοδοσίας και ότι τα ηλεκτρικά χαρακτηριστικά του δικτύου αντιστοιχούν σε εκείνα που αναγράφονται στην πινακίδα του θερμαντήρα.

ΠΡΟΕΙΔΟΠΟΙΗΣΗ: Ποτέ μην χρησιμοποιείτε το θερμαντήρα χωρίς πρώτα να έχετε συναρμολογήσει σωστά όλα τα στοιχεία και βεβαιωθείτε ότι έχει τοποθετηθεί σε μια επιφάνεια τελείως επίπεδη και οριζόντια.

►► 5.1. ΑΝΑΦΛΕΞΗ:

► 5.1.1. Αποσυνδέστε το φις του θερμαντήρα από την τροφοδοσία ρεύματος (Εικ. 3).

► 5.1.2. Συνδέστε τον θερμαντήρα με τον θερμοστάτη χώρου (Εικ. 4) (αν δεν είναι συνδεδεμένος με τον θερμοστάτη χώρου, ο θερμαντήρας θα λειτουργεί με τη μέγιστη ισχύ θέρμανσης).

► 5.1.3. Περιστρέψτε τον επιλογέα ισχύος στην επιθυμητή κατάσταση (Α Εικ. 2). Μπορούν να γίνουν οι εξής ρυθμίσεις:

- Γυρίζοντας τον διακόπτη ισχύος στη θέση «ΑΝΕΜΙΣΤΗΡΑΣ», ο θερμαντήρας θα λειτουργεί μόνο με τη λειτουργία αερισμού.
- Γυρίζοντας τον διακόπτη ισχύος στη θέση «ΘΕΡΜΑΝΣΗ», ο θερμαντήρας θα λειτουργεί με τη μέγιστη θερμαντική ισχύ.

ΠΡΟΣΟΧΗ: ΜΙΑ ΣΕΙΡΑ ΑΙΣΘΗΤΗΡΩΝ, ΕΛΕΓΧΟΥΝ ΤΗΝ ΣΩΣΤΗ ΛΕΙΤΟΥΡΓΙΑ ΤΟΥ ΘΕΡΜΑΝΤΗΡΑ, ΜΠΛΟΚΑΡΟΥΝ ΤΗΝ ΣΥΣΚΕΥΗ ΣΕ ΠΕΡΙΠΤΩΣΗ ΣΟΒΑΡΟΥ ΠΡΟΒΛΗΜΑΤΟΣ.. Η ΑΠΟΚΑΤΑΣΤΑΣΗ ΤΟΥ ΘΕΡΜΑΝΤΗΡΑ ΔΕΝ ΕΙΝΑΙ ΑΥΤΟΜΑΤΗ, ΑΛΛΑ ΘΑ ΠΡΕΠΕΙ ΝΑ ΓΙΝΕΤΑΙ ΧΕΙΡΟΚΙΝΗΤΑ. ΑΝΑΜΕΙΝΑΤΕ ΤΗΝ ΠΛΗΡΗ ΨΥΞΗ ΤΟΥ ΘΕΡΜΑΝΤΗΡΑ, ΕΞΑΛΕΙΨΑΤΕ ΤΗΝ ΠΙΘΑΝΗ ΑΙΤΙΑ ΠΟΥ ΟΔΗΓΕΙ ΣΕ ΦΡΑΓΗ ΤΟΥ ΘΕΡΜΑΝΤΗΡΑ (Π.Χ. ΦΡΑΓΗ ΑΕΡΑΓΩΓΟΥ, ΑΝΕΠΑΡΚΗΣ ΕΙΣΟΔΟΣ ΑΕΡΑ, ΚΛΠ.) ΚΑΙ ΠΑΤΗΣΤΕ ΜΕΧΡΙ ΤΕΛΟΥΣ ΤΟ ΠΛΗΚΤΡΟ “RESET” (Εικ. 5), ΕΞΑΣΦΑΛΙΖΟΝΤΑΣ ΟΤΙ Η “ΛΥΧΝΙΑ ΘΕΡΜΑΝΤΗΡΑ ΣΕ ΦΡΑΓΗ (C Εικ. 2)” ΣΒΗΝΕΙ. ΑΝ ΜΕΤΑ ΑΠΟ ΜΕΡΙΚΕΣ ΠΡΟΣΠΑΘΕΙΕΣ ΕΠΑΝΑΦΟΡΑΣ, Ο ΘΕΡΜΑΝΤΗΡΑΣ ΔΕΝ ΛΕΙΤΟΥΡΓΕΙ ΕΠΙΚΟΙΝΩΝΗΣΤΕ ΜΕ ΤΗΝ ΥΠΗΡΕΣΙΑ ΤΕΧΝΙΚΗΣ ΥΠΟΣΤΗΡΙΞΗΣ.

►► 5.2. ΑΠΕΝΕΡΓΟΠΟΙΗΣΗ:

► 5.2.1. Γυρίστε τον διακόπτη επιλογής στη θέση «0/OFF» (Α Εικ. 2) και αφήστε τον ανεμιστήρα σε λειτουργία, μέχρι να σβήσει το θερμαντήρα.

► 5.2.2. Αποσυνδέστε τον θερμαντήρα από την τροφοδοσία ρεύματος.

ΠΡΟΣΟΧΗ: ΜΗΝ ΑΠΟΣΥΝΔΕΤΕ ΤΟ ΘΕΡΜΑΝΤΗΡΑ ΑΠΟ ΤΗΝ ΠΑΡΟΧΗ ΡΕΥΜΑΤΟΣ ΠΡΙΝ ΤΗΝ ΠΛΗΡΗ ΣΤΑΣΗ ΤΟΥ ΑΝΕΜΙΣΤΗΡΑ, ΠΡΟΚΕΙΜΕΝΟΥ ΝΑ ΑΠΟΦΕΥΧΘΕΙ ΣΟΒΑΡΗ ΒΛΑΒΗ.

►► 6. ΑΠΟΘΗΚΕΥΣΗ

Αποσυνδέστε τον θερμαντήρα από την τροφοδοσία ρεύματος (Εικ. 10), όταν δεν χρησιμοποιείται και πριν τον αποθηκεύσετε. Περιμένετε μερικά λεπτά μέχρι να κρυώσει εντελώς. Αποθηκεύστε την σε στεγνό και μακριά από σκόνη χώρο. Όταν η συσκευή χρησιμοποιείται και πάλι, ελέγξτε την κατάσταση συντήρησης του καλωδίου τροφοδοσίας, αν έχετε αμφιβολίες για τη σωστή συντήρηση, καλέστε τεχνική βοήθεια. Με τον τεχνικό σας θα πρέπει να ελέγχετε τη σωστή λειτουργία του θερμαντήρα, τουλάχιστον μία φορά το χρόνο ή / και όπως απαιτείται.

►► 7. ΣΥΝΔΕΣΗ ΘΕΡΜΟΣΤΑΤΗ ΑΠΟ ΑΠΟΣΤΑΣΗ

Αφαιρέστε το καπάκι που υπάρχει στον θερμαντήρα και συνδέστε τον απομακρυσμένο θερμοστάτη χώρου (Εικ. 4).

ΠΡΟΣΟΧΗ: ΓΙΑ ΝΑ ΛΕΙΤΟΥΡΓΕΙ ΚΑΝΟΝΙΚΑ, Ο ΘΕΡΜΑΝΤΗΡΑΣ ΠΡΕΠΕΙ ΝΑ ΕΙΝΑΙ ΣΥΝΔΕΜΕΝΟΣ ΜΕ ΤΟ ΚΑΛΥΜΜΑ ΤΟΥ ΠΩΜΑΤΟΣ Ή ΜΕ ΤΟΝ ΑΠΟΜΑΚΡΥΣΜΕΝΟ ΘΕΡΜΟΣΤΑΤΗ ΧΩΡΟΥ· ΑΛΛΙΩΣ, Ο ΘΕΡΜΑΝΤΗΡΑΣ ΔΕΝ ΑΝΑΒΕΙ.

►► 8. ΠΡΟΣΔΙΟΡΙΣΜΟΣ ΤΟΥ ΠΡΟΒΛΗΜΑΤΟΣ

ΠΡΟΒΛΗΜΑ	ΠΙΘΑΝΗ ΑΙΤΙΑ	ΠΙΘΑΝΗ ΛΥΣΗ
Ο θερμαντήρας δεν λειτουργεί	1. Επιλογέας ισχύος σε θέση “0/OFF” 2. Σύνδεση ή λανθασμένη ρύθμιση του θερμοστάτη περιβάλλοντος 3. Έλλειψη τροφοδοσίας 4. Θερμαντήρας σε μπλοκ	1. Περιστρέψτε τον επιλογέα ισχύος στην επιθυμητή κατάσταση 2a. Εισάγετε σωστά το βύσμα του θερμοστάτη περιβάλλοντος 2b. Βεβαιωθείτε ότι η θερμοκρασία που έχει ρυθμιστεί στο θερμοστάτη περιβάλλοντος είναι υψηλότερη από την εξωτερική θερμοκρασία 2c. Ελέγξτε τη σωστή εισαγωγή του καπακιού πρίζας θερμοστάτη 3a. Εισάγετε σωστά το βύσμα του θερμοστάτη περιβάλλοντος 3b. Ελέγξτε τη σωστή λειτουργία της ηλεκτρικής εγκατάστασης του κτηρίου. 3c. Απευθυνθείτε στην υπηρεσία τεχνικής υποστήριξης 4a. Επαναφορά θερμοστάτη 4b. Απευθυνθείτε στην υπηρεσία τεχνικής υποστήριξης
Ο κινητήρας δεν λειτουργεί	1. Βλάβη κινητήρα 2. Μπλοκαρισμένος ανεμιστήρας	1. Απευθυνθείτε στην υπηρεσία τεχνικής υποστήριξης 2a. Αφαιρέστε τα εμπόδια 2b. Απευθυνθείτε στην υπηρεσία τεχνικής υποστήριξης
Ο θερμαντήρας δεν λειτουργεί	1. Επιλογέας ισχύος σε θέση “ΑΝΕΜΙΣΤΗΡΑ” 2. Βλάβη εσωτερικής συσκευής	1. Περιστρέψτε τον επιλογέα ισχύος στη θέση “ΘΕΡΜΑΝΣΗ” 2. Απευθυνθείτε στην υπηρεσία τεχνικής υποστήριξης
Μειωμένη ροή αέρα	1. Φραγή σχάρας εισαγωγής αέρα 2. Βλάβη κινητήρα	1a. Αφαιρέστε τα εμπόδια 1b. Απευθυνθείτε στην υπηρεσία τεχνικής υποστήριξης 2. Απευθυνθείτε στην υπηρεσία τεχνικής υποστήριξης

▶▶1.安全信息

(图1)

本系列暖风机能够在隔离的封闭空间提供并保持较高温度(60°C / 140°F)。本暖风机符合现行欧洲指令。

警告：安装、启用或维护暖风机之前，请阅读和理解本操作手册。未正确使用暖风机可能会导致严重的人身伤害。妥善保留本手册，以备将来参考使用。

警告：身体上、感觉上或精神上有缺陷者，或者缺乏经验者(包括儿童)不适合使用本暖风机，除非有负责安全人员的监护。儿童应当受到监督，以确保儿童不会玩弄暖风机。

警告：所有的清洁、保养和维修操作，如果涉及到危险的部件(比如更换损坏的电源线)，即使在断电的情况下，也应当由制造商、制造商技术服务中心、具有类似资格的人员进行，以防止任何风险。

警告：使用暖风机时，请遵守当地各项制度和现行法规。

警告：本暖风机可能会达到比较高的温度。为避免严重的损害，必须安全使用暖风机，注意确保使用场所不存在对高温(60°C / 140°F)敏感的材料和物品等。

- ▶1.1. 暖风机如在篷布、窗帘或其他类似的覆盖材料附近使用，应保持安全距离。
- ▶1.2. 暖风机应保持安全距离，防潮、防水、防大气介质，以避免对暖风机造成严重的损害。
- ▶1.3. 暖风机高温部件应与易燃或热不稳定的材料(包括电源线)保持适当的距离。
- ▶1.4. 暖风机处于高温、通电或运行时，不得移动、篡改或进行任何维护工作。
- ▶1.5. 暖风机处于高温或运行时，应放置在稳定的、平坦的地面上，以避免火灾风险。
- ▶1.6. 动物应与暖风机保持安全距离。
- ▶1.7. 暖风机电源必须符合铭牌上电压和频率参数要求。
- ▶1.8. 请确保暖风机连接到带差动开关和适当的接地线的电源上。
- ▶1.9. 电源线如有损坏，应由技术服务中心人员更换，以防止任何风险。
- ▶1.10. 暖风机不用时，请切断电源。
- ▶1.11. 如果暖风机暂时处于不安全状态，请设法隔离暖风机，并切断其电源。
- ▶1.12. 请勿完全或部分堵住暖风机的进风和出风口。暖风机配备一个功率比较大的风扇，使用时应清除周围可能会被吸入的物品。
- ▶1.13. 请避免采用送风管道，除非使用原装套件(如有配备)。
- ▶1.14. 请勿覆盖暖风机，可能有过热风险。

- ▶1.15. 每年至少一次或者按需要请技术服务中心人员检查暖风机运行是否正常。

暖风机不当使用所造成的财产损失和/或人员伤亡，制造商不予负责。

暖风机必须由制造商授权的专业人员维修。

▶▶2.拆箱

注意事项：包装材料不得作为儿童的玩具。塑料袋应放在远离儿童不可触及的地方：有窒息的危险!

- ▶2.1. 请拆下暖风机所有的包装材料，根据现行法规进行处理。
- ▶2.2. 从包装中取出所有的部件。
- ▶2.3. 请检查暖风机运输中是否遭受损坏。如果发现暖风机有任何损坏迹象，请立即通知购买渠道的暖风机经销商。

▶▶3.组装

有些型号的暖风机可能会配备滚轮、手把、支座和电源线。暖风机必须在完成安装后才能开机使用，安装螺栓的机械部件可在包装袋里找到。

▶▶4.控制面板

(图2)

- A. 选择开关；
- B. 电压指示灯；
- C. 锁机指示灯；
- D. 温控器接口；
- E. “复位”按钮。

▶▶5.运行

注意事项：为了正确使用暖风机并避免风险，在启动暖风机之前，请阅读、理解并遵守“安全信息”。

注意事项：请检查暖机电源线是否损坏，电源是否符合暖风机铭牌上技术参数要求。

注意事项：在正确安装暖风机所有的部件之前，请勿使用暖风机，请确保暖风机放置在稳定和平整的地面。

▶▶5.1.开机：

- ▶5.1.1. 将暖风机插头连接到电源上(图3)。
- ▶5.1.2. 将温控器连接到暖风机上(图4)(暖风机未连接温控器时，将以最大制热功率下运作)。
- ▶5.1.3. 将选择开关转至所需模式(图A2)。可以进行以下设置：
 - 将选择开关转至“通风”，暖风机将在通风模式下运作。

• 将选择开关转至“制热”，暖风机将在最大制热功率下运作。

注意：传感器将检测暖风机是否运行正常，如遇严重故障，暖风机会锁住停运。暖风机无法自动复位，必须手动复位。请等待暖风机完全冷却，排除造成暖风机锁住停运的原因（如进风口堵塞、进风量不足等）。按住“复位（RESET）”按键（图5），检查“暖风机停机指示灯”（C图2）是否熄灭。试着复位几次，如果暖风机仍不运行，请同技术服务中心联系。

▶▶5.2.关机：

▶5.2.1.将选择开关转至“关（0/OFF）”（A图2）让风机继续运行，直至暖风机完全关机。

▶5.2.2.切断暖风机电源。

注意：在暖风机完全停止之前，请勿切断其电源，以避免造成严重损坏。

▶▶6.储存

暖风机不用时，必须切断电源（图10），放置前，请等待几分钟，直至暖风机完全冷却。将暖风机放置在干燥的和防尘的场所。重新使用暖风机之前，检查电源线状态；如对暖风机储存状态有疑问，请同技术服务中心联系处理。在任何情况下，每年至少一次和/或按需要，请技术服务中心检查暖风机是否运行正常。

▶▶7.温控器连接

拆下同暖风机连接的堵塞，连接温控器（图4）。

注意：为确保运行正常，暖风机应与远程温控器相连接或有闷盖，否则，暖风机无法启动。

▶▶8.故障分析

故障现象	故障原因	故障排除方案
暖风机不运行	1.选择开关在“关（0/OFF）”位置上 2.温控器连接或设置不正确 3.停电 4.暖风机锁机	1.将选择开关转至所需模式 2a.正确插入温控器插头 2b.检查温控器设置的温度是否高于外部温度 2c.检查温控器接口盖是否正确安好 3a.将插头同电源正确连接 3b.检查使用场所电气设备是否运行正常 3c.同技术服务中心联系处理 4a.将暖风机复位 4b.同技术服务中心联系处理
电机不运行	1.电机损坏 2.风机锁住	1.同技术服务中心联系处理 2a.清除堵塞物 2b.同技术服务中心联系处理
暖风机不制热	1.选择开关在“通风”位置 2.内部装置损坏	1.将选择开关转至“制热” 2.同技术服务中心联系处理
风量小	1.进风口堵塞 2.电机损坏	1a.清除堵塞物 1b.同技术服务中心联系处理 2.同技术服务中心联系处理

►►1. ҚАУІПСІЗДІК ТЕХНИКАСЫ ТУРАЛЫ АҚПАРАТ

(1-сурет)

Асы ауа жылытқыштар сериясы тиісті өлшемге ие және тиісінше оқшауланған жабық үй-жайларда жоғары температураларды (~ 60°C / 140°F) алуға және қолдауға арналған. Бұл жылытқыштар қолданыстағы еуропалық директиваға сай келеді.

МАҢЫЗДЫ: Жабдықпен кез келген жұмысты бастамас бұрын (жылытқышты құрастыру, іске қосу және техникалық қызмет көрсету) осы пайдалану бойынша нұсқаулықпен мұқият танысыңыз. Жылытқышты дұрыс қолданбаған жағдайда, күрделі жарақат алуыңыз мүмкін. Қажет болғанда танысу үшін, осы нұсқаулықты сақтап қойыңыз.

МАҢЫЗДЫ: Физикалық, сенсорлық және ақыл-ой қабілеті шектеулі немесе тәжірибесі мен білімі жеткіліксіз адамдар (сонымен қатар, балалар) өздерінің қауіпсіздігіне жауапты тұлғаның қарауында болған жағдайларды қоспағанда, осы жылытқышты қолдана алмайды. Балаларды қараусыз қалдырмаңыз және оларға жылытқышпен ойнауға рұқсат бермеңіз.

МАҢЫЗДЫ: Қауіпті бөлшектер қолжетімді болатын кез келген тазалау, техникалық қызмет көрсету және жөндеу жұмыстары (мысалы, зақымдалған қуат кабелін ауыстыру), тіпті электр желісінен ажыратылғанымен, өндірушімен, техникалық қызметімен, тиісті біліктілігі бар тұлғамен, қауіпті болдырмау шараларын қабылдаумен орындалуы керек.

МАҢЫЗДЫ: Жылытқышты пайдалану кезінде барлық жергілікті жағдайларды және қолданбалы заңнаманы сақтау керек.

МАҢЫЗДЫ: Бұл жылытқыш жоғары температураларға дейін қызып кетуі мүмкін. Күрделі бұзылудың алдын алу үшін, қызып тұрған жылытқыш жанғыш немесе оңай тұтанатын материалдардан (~ 60°C / 140°F) қауіпсіз қашықтықта болуы тиіс.

►1.1. Брезент, сүлгі немесе осылар сияқты жабын материалдарының дәл жанында қолданылып жатқан аспаптар олардан қауіпсіз қашықтықта болуы тиіс.

►1.2. Жылытқышты ылғал немесе су көздерінен, сондай-ақ атмосфералық агенттерден қауіпсіз қашықтықта ұстаңыз, осылайша жылытқыштың күрделі бұзылуының алдын алуға болады.

►1.3. Жанғыш немесе термолабилді материалдардың (қуат кабелімен қоса) жылытқыштың жанғыш бөлшектерінен дұрыс қашықтығын сақтаңыз.

►1.4. Жылытқыш қызып тұрған, электр желісіне қосылып тұрған немесе жұмыс істеп тұрған кезде, оны басқа жерге қоюға немесе оған кез келген тәсілмен техникалық қызмет көрсетуге тыйым салынады.

►1.5. Өрт шықпауы үшін, қызып тұрған немесе жұмыс істеп тұрған жылытқыш тұрақты және тегіс жерге қойылуы тиіс.

►1.6. Жануарларды жылытқыштан қауіпсіз қашықтықта ұстаңыз.

►1.7. Жылытқышты төлқұжатында көрсетілген кернеу мен жиілігі бар ток көзіне қосыңыз.

►1.8. Жылытқыш сай келетін жерге тұйықтау жүйесі бар дифференциалды ажыратқышпен қамтылған электр қуаты желісіне қосылатынына көз жеткізіңіз.

►1.9. Қуат кабелін жүргізген кезде, қауіпті болдырмау үшін, оны техникалық қызмет көрсету орталығында ауыстыру керек.

►1.10. Пайдаланылмай тұрған кезде, жылытқышты электр қуаты желісінен ажыратыңыз.

►1.11. Егер жылытқыш қауіпсіз емес шарттарда уақытша болуы тиіс болса, оны қолдануға мүмкіндік бермеу немесе желілік розеткадан ажырату керек.

►1.12. Ауа тартқышты және жылытқыш ауасының шығысын жартылай болса да бітемеңіз. Жылытқыш өте қуатты желдеткішпен қамтылған соң, ол жұмыс істеп тұрған кезде қоршаған орта таза болып, сіңірілуі мүмкін заттардан босатылуы тиіс.

►1.13. Ауа өткізгіштерді жасамаңыз немесе оларды түпнұсқалы жиынтықтардан ғана жасаңыз (көзделген болса).

►1.14. Жылытқышты жұмыс барысында бүркеуге болмайды, себебі ол қызып кетуі мүмкін.

►1.15. Жылытқыштың дұрыс жұмыс істейтіні кемінде жылына бір рет және/немесе қажет болған кезде сервис орталығында тексерілуі керек.

ДАЙЫНДАУШЫ ЖЫЛЫТҚЫШТЫ МАҚСАТЫНА САЙ ҚОЛДАНБАУ НӘТИЖЕСİNДЕ МҮЛІККЕ НЕМЕСЕ АДАМДАРҒА КЕЛТІРІЛГЕН НҰҚСАН ҮШІН ЖАУАПТЫ ЕМЕС.

ЖЫЛЫТҚЫШПЕН БАЙЛАНЫСТЫ ОПЕРАЦИЯЛАРДЫ МАМАНДАНДЫРЫЛҒАН ЖӘНЕ УӘКІЛЕТТІ ҚЫЗМЕТКЕРЛЕР ҒАНА ОРЫНДАЙ АЛАДЫ.

►►2. БУМАСЫНАН ШЫҒАРУ

ЕСКЕРТПЕ: Бума материалы – балалар ойыншығы емес. Полиэтиленді пакетті балалар қолы жетпейтін орында сақтаңыз; тұншығу қаупі бар!

►2.1. Жылытқышты орауға және жеткізуге пайдаланылатын барлық бума материалдарын жойыңыз және қолданбалы нормаларға сәйкес қоқысқа тастаңыз.

►2.2. Барлық бөлшектерінен қораптан шығарыңыз.

►2.3. Тасымал кезінде алынған зақымдарды тексеріңіз. Егер жылытқыш зақымдалса, бұл жағдайды алынған дилерге бірден хабарлаңыз.

►►3. ҚҰРАСТЫРУ

Кейбір үлгілердің жиынтығында доңғалақтар, иінтіректер, суппорттар және қуат кабельдер болуы мүмкін. Механикалық құрауыштар, монтаждауға арналған тиісті бекіткіш бөлшектермен бірге жылытқыштың қаптамасында орналасқан, олар жылытқышты қосудың алдында құрастырылуы тиіс.

►►4. БАСҚАРУ ПАНЕЛІ

(2-сурет)

A. Қуат селекторы;

B. Кернеудің бар болуы шамы;

C. Жылытқыш шамасы бұғатталған;

D. Үй-жай термостаты розеткасы;

E. «ЫСЫРУ» түймесі.

►►5. ҚЫЗМЕТІ

ЕСКЕРТПЕ: Дұрыс пайдалану және қауіп-қатердің алдын алу үшін, жылытқышты қосудың алдында «ҚАУІПСІЗДІК ТУРАЛЫ АҚПАРАТ» бөліміндегі нұсқауларды оқып шығыңыз, ұғып алыңыз және орындаңыз.

ЕСКЕРТПЕ: Қуат кабелінің бүтіндігіне және электр тізбегінің сипаттамалары жылытқыштың техникалық деректерінің тақтайшасындағы деректерге сай келетіндігіне көз жеткізіңіз.

ЕСКЕРТПЕ: Барлық құрауыштарды алдын ала дұрыс орнатпай және жылытқыштың тегіс, жазық және тұрақты жерге қойылғанына көз жеткізбей, жылытқышты қолдануға болмайды.

►►5.1. ҚОСУ:

►5.1.1. Жылытқыштың ашасын электр желісінен ажыратыңыз (3-сурет).

►5.1.2. Үй-жай термостатын жылытқышқа қосыңыз (4-сурет) (термостаты қосылмаған жылытқыш ең жоғары қыздыру қуатында жұмыс істейді).

►5.1.3. Қуат селекторын қалаулы режиміне бұрыңыз (А 2-сурет). Келесі режимдер қолжетімді:

- Қуат селекторын «ЖЕЛДЕТКІШ» күйіне орнатқаннан кейін, жылытқыш желдету режимінде ғана жұмыс істейтін болады.

- Қуат селекторын «ЖЫЛЫТУ» күйіне орнатқаннан кейін, жылытқыш ең жоғары жылыту қуатында жұмыс істейтін болады.

НАЗАР АУДАРЫҢЫЗ: ДАТЧИКТЕР СЕРИЯСЫ ЖЫЛЫТҚЫШ ЖҰМЫСЫНЫҢ ДҰРЫСТЫҒЫН ҚАДАҒАЛАЙ ОТЫРЫП, КҮРДЕЛІ АҚАУЛАР ТУЫНДАҒАН ЖАҒДАЙДА АСПАПТЫ БҰҒАТТАЙДЫ. ЖЫЛЫТҚЫШТЫҢ ЖҰМЫСЫ АВТОМАТТЫ ТҮРДЕ ЕМЕС, ҚОЛМЕН ҚАЙТА БАСТАЛУЫ ТИІС. ЖЫЛЫТҚЫШТЫҢ ТОЛЫҒЫМЕН СУУЫН КҮТЕ ТҰРЫҢЫЗ, ЖЫЛЫТҚЫШТЫҢ БҰҒАТТАЛУЫНА АЛЫП КЕЛГЕН ЫҚТИМАЛ СЕБЕПТІ ЖОЙЫҢЫЗ (МЫСАЛЫ, АУА ТАРТҚЫШТЫҢ БІТЕЛУІ, АУАНЫҢ ЖЕТКІЛІКСІЗ БЕРІЛУІ ЖӘНЕ Т.Б.). СОДАН СОҢ, «ЫСЫРУ» (5-сурет) ТҮЙМЕСІН ТОЛЫҒЫМЕН БАСЫП, «ЖЫЛЫТҚЫШТЫ БҰҒАТТАУ ШАМЫ (С 2-сурет)» ӨШКЕНІН ТЕКСЕРІҢІЗ. ЖҰМЫСТЫ ҚАЙТА БАСТАУ ҮШІН БІРНЕШЕ ӘРЕКЕТ ЖАСАҒАННАН КЕЙІН ЖЫЛЫТҚЫШ ӨЛІ ДЕ ЖҰМЫС ІСТЕМЕЙ ЖАТСА, СЕРВИС ҚЫЗМЕТІНЕ ЖҮГІНУ КЕРЕК.

►►5.2. СӨНДІРУ:

►5.2.1. Қуат селекторын «0/OFF» (А 2-сурет) орнатып, желдеткішті жылытқыштың толығымен қосылуына дейін қалдырыңыз.

►5.2.2. Жылытқышты электр қуаты желісінен ажыратыңыз. НАЗАР АУДАРЫҢЫЗ: КҮРДЕЛІ БҰЗЫЛУДЫҢ АЛДЫН АЛУ ҮШІН, ЖЕЛДЕТКІШ ТОЛЫҒЫМЕН ТОҚТАҒАНША ЖЫЛЫТҚЫШТЫ ЭЛЕКТР ЖЕЛІСІНЕН АЖЫРАТУДАН АУЛАҚ БОЛУ КЕРЕК.

►►6. САҚТАУ

Жылытқыш қолданылмаса және оны сақтауға қоюдың алдында, жылытқышты электр қуаты желісінен ажыратыңыз, ол толығымен сууы үшін бірнеше минут күте тұрыңыз (10-сурет). Оны құрғақ және шаңнан қорғалған жерде сақтаңыз. Жылытқыш қолданылатын болса, қуат кабелінің күйін тексеріңіз; оның сақталуына қатысты күмән туындаған жағдайда, сервис орталығына жүгініңіз. Жылытқыштың дұрыс жұмыс істейтіні кемінде жылына бір рет және/немесе қажет болған кезде сервис орталығында тексерілуі керек.

►►7. ҮЙ-ЖАЙДЫҢ ҚАШЫҚТАҒЫ ТЕРМОСТАТЫН ҚОСУ

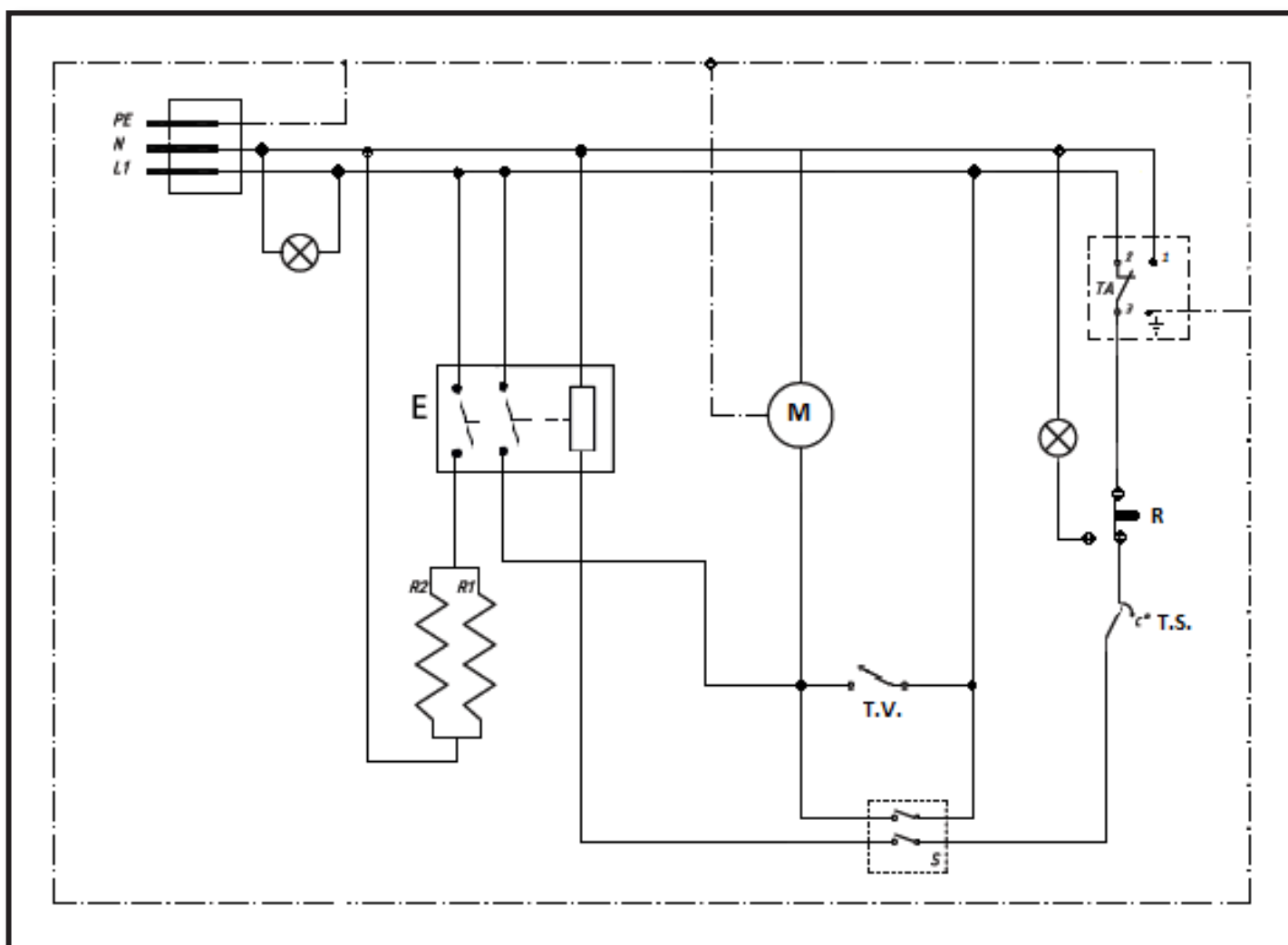
Жылытқышқа жалғанып тұрған қақпақты алып тастаңыз да, үй-жайдың қашықтағы термостатын қосыңыз (4-сурет). НАЗАР АУДАРЫҢЫЗ: ЖЫЛЫТҚЫШ ДҰРЫС ЖҰМЫС ІСТЕУІ ҮШІН,, ОҒАН ҚАҚПАҚ НЕМЕСЕ ҮЙ-ЖАЙДЫҢ ҚАШЫҚТАҒЫ ТЕРМОСТАТЫ ҚОСЫЛУЫ ТИІС, ӨЙТПЕСЕ ЖЫЛЫТҚЫШ ҚОСЫЛМАЙДЫ.

►►8. МӘСЕЛЕНІ ТАБУ» ТАРАУДЫ ҚАРАҢЫЗ

МӘСЕЛЕ	ЫҚТИМАЛ СЕБЕП	ЫҚТИМАЛ ШЕШІМІ
Жылытқыш жұмыс істемейді	1. Қуат селекторы «0/OFF» күйіне орнатылған 2. Үй-жай термостатын жұмыс жалғамау немесе теңшемеу 3. Қуаттану көзі жоқ 4. Желдеткіш құлыпталған	1. Қуат селекторын қажетті режимге бұрыңыз 2a. Үй-жай термостаты ашасын толығымен енгізіңіз 2b. Үй-жай термостатында сырттағы температурадан да жоғары екеніне көз жеткізіңіз 2c. Термостат ашасының қалпағы дұрыс енгізілгеніне көз жеткізіңіз 3a. Ашаны электр қуаты желісіне дұрыс енгізіңіз 3b. Электр қуаты желіңіздің дұрыс жұмыс істеп жатқанын тексеріңіз 3c. Сервистік орталыққа жолығыңыз 4a. Жылытқыш жұмысын қайта бастаңыз 4b. Сервистік орталыққа жолығыңыз
Қозғалтқыш жұмыс істемейді	1. Қозғалтқыш ақаулығы 2. Желдеткіш құлыпталған	1. Сервистік орталыққа жолығыңыз 2a. Бөгде нысандарды жойыңыз 2b. Сервистік орталыққа жолығыңыз
Жылытқыш жылытпайды	1. Қуат селекторы «ЖЕЛДЕТУ» күйіне орнатылған 2. Ішкі аспаптар істен шыққан	1. Қуат селекторын «ЖЫЛЫТУ» күйіне орнатыңыз 2. Сервистік орталыққа жолығыңыз
Ауаның азайтылған ағыны	1. Ауа тартқыш бітеліп қалған 2. Қозғалтқыш ақаулығы	1a. Бөгде нысандарды жойыңыз 1b. Сервистік орталыққа жолығыңыз 2. Сервистік орталыққа жолығыңыз

EKO 3

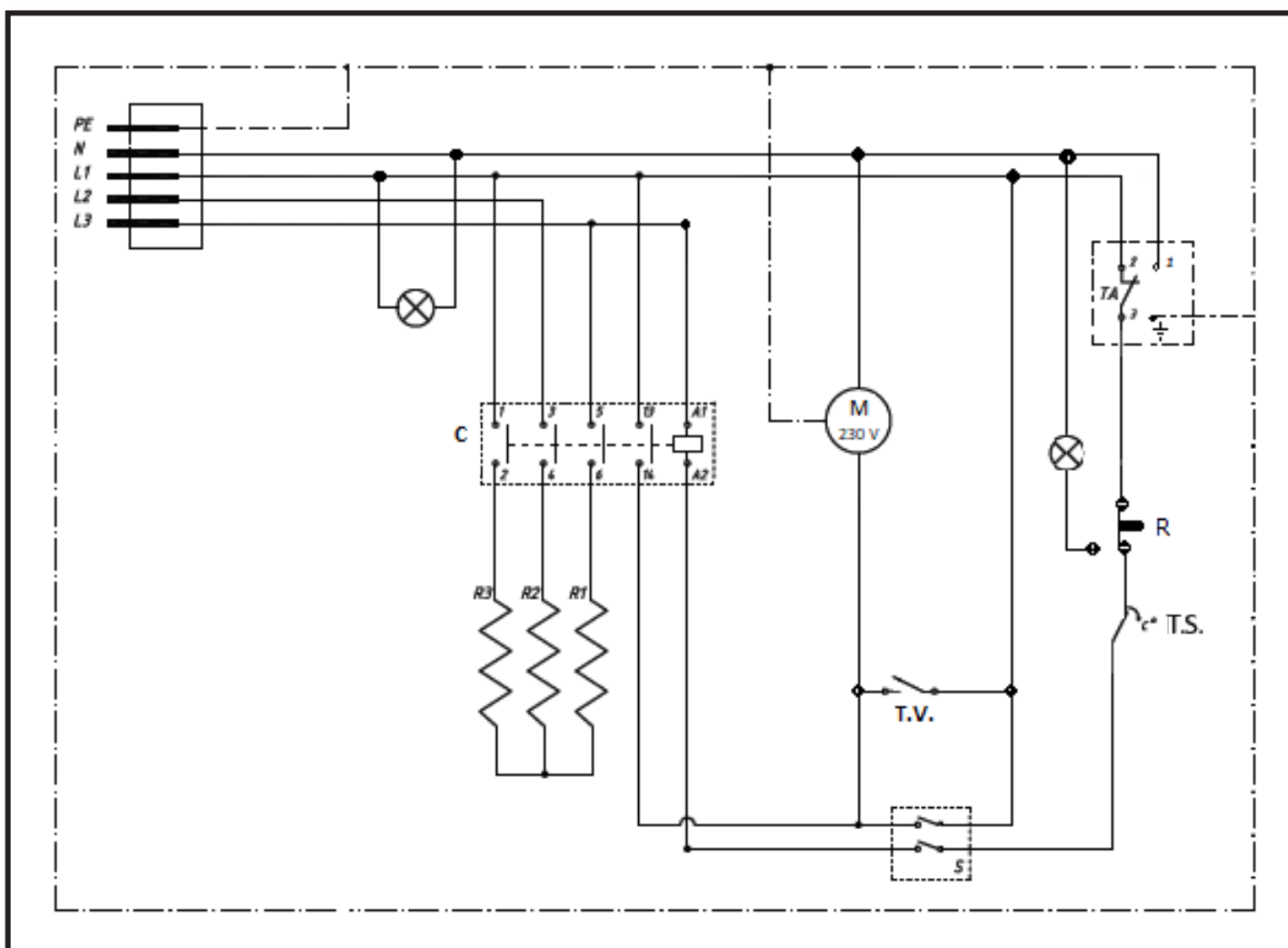
ELECTRIC SYSTEM - IMPIANTO ELETTRICO - ELEKTRISCHE ANLAGE - INSTALACIÓN ELÉCTRICA - INSTALLATION ELECTRIQUE - ELEKTRISCHE INSTALLATIE - SISTEMA ELÉTRICO - EL-ANLÆG - SÄHKÖLAITTEISTO - ELEKTRISK ANLEGG - ELANORDNING - INSTALACJA ELEKTRYCZNA - ЭЛЕКТРОПРОВОДКА - ELEKTRICKÉ ZAŘÍZENÍ - ELEKTROMOS RENDSZER - ELEKTRIČNA NAPELJAVA - ELEKTRİK TEŞİSATI - ELEKTRIČNI UREĐAJ - ELEKTROS SISTEMA - ELEKTRISKĀ SISTĒMA - ELEKTRISŪSTEEM - INSTALAȚIA ELECTRICĂ - ELEKTRICKÉ ZARIADENIE - ЭЛЕКТРИЧЕСКА ИНСТАЛАЦИЯ - ЕЛЕКТРИЧНЕ ОБЛАДНАННЯ - ELEKTRIČNI UREĐAJ - ΗΛΕΚΤΡΙΚΗ ΕΓΚΑΤΑΣΤΑΣΗ - 电路系统 - ΗΛΕΚΤΡΙΚΗ ΕΓΚΑΤΑΣΤΑΣΗ



L - Phase
N - Neutral
R - Manual reset
TS - Limit thermostat (auto reset)
S - Switch

TA - Room thermostat
TV - Cooling thermostat
R1-2 - Heating element
M - Motor
E - Relay

**ELECTRIC SYSTEM - IMPIANTO ELETTRICO - ELEKTRISCHE ANLAGE
 - INSTALACIÓN ELÉCTRICA - INSTALLATION ELECTRIQUE - ELEKTRISCH
 E INSTALLATIE - SISTEMA ELÉTRICO - EL-ANLÆG - SÄHKÖLAITTEISTO
 - ELEKTRISK ANLEGG - ELANORDNING - INSTALACJA ELEKTRYCZNA -
 ЭЛЕКТРОПРОВОДКА - ELEKTRICKÉ ZAŘÍZENÍ - ELEKTROMOS RENDSZER
 - ELEKTRIČNA NAPELJAVA - ELEKTRİK TESİSATI - ELEKTRIČNI UREĐAJ
 - ELEKTROS SISTEMA - ELEKTRISKĀ SISTĒMA - ELEKTRISŪSTEEM
 - INSTALAȚIA ELECTRICĂ - ELEKTRICKÉ ZARIADENIE - ЭЛЕКТРИЧЕСКА
 ИНСТАЛАЦИЯ - ЭЛЕКТРИЧНЕ ОБЛАДНАННЯ - ELEKTRIČNI UREĐAJ - ΗΛΕΚΤΡΙΚΗ
 ΕΓΚΑΤΑΣΤΑΣΗ - 电路系统 - ΗΛΕΚΤΡΙΚΗ ΕΓΚΑΤΑΣΤΑΣΗ**



L	-	Phase	TA	-	Room thermostat
N	-	Neutral	TV	-	Cooling thermostat
R	-	Manual reset	R1...3	-	Heating element
TS	-	Limit thermostat (auto reset)	M	-	Motor
S	-	Switch	C	-	Contactors

CE CONFORMITY CERTIFICATE



CE CONFORMITY CERTIFICATE - DICHIARAZIONE DI CONFORMITÀ CE - EG-KONFORMITÄT-SERKLÄRUNG - DECLARACIÓN DE CONFORMIDAD CE - DECLARATION DE CONFORMITE CE - EG-CONFORMITEITVERKLARING - DECLARAÇÃO DE CONFORMIDADE CE - EU-OVERENSSTEMMELSESERKLÆRING - EY-VAATIMUSTENMUKAISUUSVAKUUTUS - CE-SAMSVAR-SERKLÆRING - EG-FÖRSÄKRAN OM ÖVERENSSTÄMMELSE - DEKLARACJA ZGODNOŚCI WE - ДЕКЛАРАЦИЯ О СООТВЕТСТВИИ CE - PROHLÁŠENÍ O SHODĚ CE - EK MEGFELELŐSÉGI NYILATKOZAT - IZJAVA O SKLADNOSTI IN OZNAKA CE - CE UYGUNLUK BEYANI - IZJAVA CE O SUKLADNOSTI - ES ATITIKTIES DEKLARACIJA - EK ATBILSTĪBAS - DEKLARĀCIJA - EÜ VASTAVUSDEKLARATSIOON - DECLARAȚIE DE CONFORMITATE CE - PREHLÁSENIE O ZHODE CE - ДЕКЛАРАЦИЯ ЗА СЪВМЕСТИМОСТ CE - ДЕКЛАРАЦИЯ ВІДПОВІДНОСТІ CE - IZJAVA CE O PRIKLADNOSTI ΔΗΛΩΣΗ ΣΥΜΜΟΡΦΩΣΗΣ CE - CE 符合性声明

DANTHERM S.p.A. Via Gardesana 11, -37010- Pastrengo (VR), ITALY

Product: - Prodotto: - Produkt: - Producto: - Produit: - Product: - Produto: - Produkt: - Tuote: - Produkt: - Produkt: - Produkt: - Изделие: - Výrobek: - Termék: - Izdelek: - Ürün: - Proizvod: - Gaminys: - Ierīce: - Toode: - Produsul: - Výrobok: - Продукт: - Виріб: - Proizvod: - Προϊόν: - 产品:

EKO 3 - EKO 9

We declare that it is compliant with: - Si dichiara che è conforme a: - Es wird als konform mit den folgenden Normen erklärt: - Se declara que está en conformidad con: - Nous déclarons sa conformité à: - Hierbij wordt verklaard dat het product conform is met: - Declara-se que está em conformidade com: - Vi erklærer at produktet er i overensstemmelse med: - Vakuutetaan olevan yhdenmukainen: - Man erklærer at apparatet er i overensstemmelse med: - Härmed intygas det att produkten är förenlig med följande: - Oświadczam, że jest zgodny z: - Заявляем о соответствии требованиям: - Prohlašuje se, že je v souladu s: - Kijelentjük, hogy a termék megfelel az alábbiaknak: - Izpolnjuje zahteve: - Aşağıdaki standartlara uygun olduğunu beyan ederiz: - Izjavljuje se da je u skladu s: - Pareiškiame, kad atitinka: - Tiek deklarēts, ka atbilst: - Käesolevaga deklareeritakse, et toode vastab: - Declarăm că este conform următoarelor: - Prehlasuje sa, že je v súlade s: - Декларира се че отговаря на: - Відповідає вимогам: - Izjavljuje se da je u skladu s: - Δηλώνουμε ότι είναι σύμφωνο με: - 兹证明符合:

2014/30/EU, 2014/35/EU, 2009/125/EC

EN 62233:2008, EN 61000-3-2:2014, EN 61000-3-3:2013, EN 55014-1:2006/A2:2011, EN 55014-2:2015, EN 60335-2-30:2009/A11:2012, (EU) N° 1188/2015

Pastrengo, 2019

Stefano Verani (Member of the Board)

► en - DISPOSAL OF THE PRODUCT

-This product has been designed and manufactured with top-quality materials and components, which can be re-cycled and re-used. When a crossed-wheely bin symbol is attached to the product, it means that the product is protected by the, 2012/19/UE European Directive.

-Please obtain information regarding the local differentiated collection system for electrical and electronic products.

-Respect local Standards in force and do not dispose of old products as normal domestic waste. Correct disposal of the product helps to prevent possible negative consequences for health, the environment and mankind.

► it - SMALTIMENTO DEL PRODOTTO

-Questo prodotto è stato progettato e fabbricato con materiali e componenti di alta qualità, che possono essere riciclati e riutilizzati.

-Quando ad un prodotto è attaccato il simbolo del bidone con le ruote segnato da una croce, significa che il prodotto è tutelato dalla Direttiva Europea 2012/19/UE.

-Si prega di informarsi in merito al sistema locale di raccolta differenziata per i prodotti elettrici ed elettronici.

-Rispettare le norme locali in vigore e non smaltire i prodotti vecchi nei normali rifiuti domestici. Il corretto smaltimento del prodotto aiuta ad evitare possibili conseguenze negative per la salute dell'ambiente e dell'uomo.

► de - ENTSORGUNG DES PRODUKTS

-Dieses Produkt wurde unter Verwendung von Qualitätsmaterialien und -bauteilen entwickelt und hergestellt, die recycelt und wieder verwendet werden können.

-Ist ein Produkt gekennzeichnet durch die Mülltonne mit Rädern und einem Kreuz, wird hier angezeigt, dass dieses Produkt durch die europäische Direktive 2012/19/UE überwacht ist.

-Es wird gebeten, sich über die vor Ort bestehende Mülltrennung bezüglich elektrischer und elektronischer Produkte zu informieren.

-Die vor Ort geltenden Vorschriften zur Müllentsorgung müssen eingehalten werden und alte Produkte dürfen nicht zusammen mit dem Hausmüll entsorgt werden. Die ordnungsgemäße Entsorgung des Produkts hilft mögliche negative Folgen für Gesundheit und Umwelt zu vermeiden.

► es - ELIMINACIÓN DEL PRODUCTO

-Este producto ha sido diseñado y fabricado con materiales y componentes de alta calidad que se pueden reciclar y reutilizar.

-Cuando en el producto se encuentra el símbolo del contenedor con las ruedas tachado con una cruz, significa que el producto está tutelado por la Directiva europea 2012/19/UE.

-Se ruega informarse acerca del sistema local de recogida selectiva para los productos eléctricos y electrónicos.

-Respete las normas locales vigentes y no elimine los productos viejos junto con los residuos domésticos normales. La eliminación correcta del producto ayuda a evitar posibles consecuencias negativas para la salud del ambiente y del hombre.

► fr - SE DÉBARRASSER DE VOTRE PRODUIT USAGÉ

-Ce produit a été conçu et fabriqué avec des matériaux et des composants de haute qualité, qui peuvent être recyclés et utilisés de nouveau.

-Lorsque le symbole d'une poubelle à roue barrée est appliqué à un produit, cela signifie que le produit est couvert par la Directive Européenne 2012/19/UE.

-Veuillez vous informer du système local de séparation des déchets électriques et électroniques.

-Veuillez agir selon les règles locale set ne pas jeter vos produits usagés avec les déchets domestiques usuels. Jeter correctement votre produit usagé aidera à prévenir les conséquences négatives potentielles contre l'environnement et la santé humaine.

► nl - VERWIJDERING VAN HET PRODUCT

-Dit product werd ontworpen en gemaakt met hoogwaardige materialen en componenten, die gerecycleerd en herbruikt kunnen worden.

-Wanneer op een product het symbool van de afvalbak op wielen met een kruis erdoor is aangebracht, betekent dit dat het product valt onder de Europese Richtlijn 2012/19/UE.

-Gelieve inlichtingen in te winnen betreffende het plaatselijke systeem voor gedifferentieerde inzameling van elektrische en elektronische toestellen.

-Respecteer de plaatselijke normen die van kracht zijn, en verwijder de oude toestellen niet als gewoon huishoudelijk afval. Een correcte verwijdering van het product helpt om mogelijke negatieve gevolgen voor de gezondheid van mens en milieu te voorkomen.

► pt - ELIMINAÇÃO DO PRODUTO

-Este produto foi projetado e fabricado com materiais e componentes de alta qualidade que podem ser reciclados e reutilizados.

-Quando for afixado em um produto o símbolo do bidão com rodas marcado com uma cruz, significa que o produto é protegido pela Diretiva Europeia 2012/19/UE.

-Solicitamos informar-se sobre o sistema local de recolha diferenciada para os produtos elétricos e eletrônicos.

-Respeitar as normas locais em vigor e não eliminar os produtos antigos como normais detritos domésticos. A correta eliminação do produto ajuda a evitar possíveis consequências negativas para a saúde do ambiente e do homem.

► da - BORTSKAFFELSE

- Dette produkt er designet og fremstillet med materialer og dele af høj kvalitet, der kan genanvendes.
- Når et produkt er mærket med symbolet, der viser en affaldsspand på hjul med et kryds over, betyder det, at produktet er beskyttet af EF-Direktiv 2012/19/UE.
- Der henstilles til, at man informerer sig angående det lokale affaldssorteringssystem for elektriske og elektroniske produkter.
- De gældende lokale regler skal overholdes, og de gamle produkter må ikke bortskaffes sammen med husholdningsaffaldet. Ved at bortskaffe dette produkt korrekt, medvirker De til at forhindre eventuelle negative påvirkninger af miljøet og folkesundheden.

► fi - TUOTTEEN HÄVITTÄMINEN

- Tämä tuote on suunniteltu ja valmistettu korkealaatuisia materiaaleja ja osia käyttämällä, jotka voidaan kierrättää ja käyttää uudelleen.
- Kun tuotteeseen on kiinnitetty viivattu roskasäiliön merkki, se tarkoittaa, että tuotetta suojaa Euroopan yhteisön direktiivi 2012/19/UE.
- Hanki tietoja paikallisesta sähkö- ja elektroniikkaromujen erilliskeräyksestä.
- Noudata voimassa oleva määräyksiä äläkä hävitä vanhoja tuotteita kotitalousjätteiden mukana. Tuotteen oikea hävittäminen auttaa suojelemaan luontoa ja välttää väärän romutuksen aiheuttamien terveysriskien syntymistä.

► no - AVFALLSHÅNTERING

- Dette produktet er utformet og produsert med materialer og deler av høy kvalitet, og som kan gjenvinnes.
- Når det på et produkt finnes et symbol som forestiller en avfallsbeholder med et kryss over, betyr dette at produktet er underlagt EU-direktiv 2012/19/UE.
- Vennligst informer dere angående de lokale reglene som gjelder kassering av elektrisk og elektronisk avfall.
- Ta hensyn til gjeldende regelverk og ikke kast gamle produkter sammen med husholdningsavfall. Riktig avfallshåndtering av produktet bidrar til å unngå potensielle negative konsekvenser for miljøet og menneskenes helse.

► sv - PRODUKTENS BORTSKAFFANDE

- Den här produkten har projekterats och tillverkats med material och komponenter av hög kvalitet som kan återvinnas och återanvändas.
- När ett klistermärke med en symbol med överkorsad soptunna med hjul sitter på produkten, betyder detta att produkten är skyddad av Eu-direktiv 2012/19/UE.
- Vi ber er inhämta upplysningar vid er lokala återvinningsstation för elektriska och elektroniska produkter.
- Följ lokala gällande bestämmelser och skaffa inte bort förbrukade produkter i det vanliga hushållsavfallet. Ett korrekt bortskaffande av produkten hjälper till att undvika möjliga negativa effekter på miljö- och människohälsa.

► pl - UTYLIZACJA PRODUKTU

- Niniejszy produkt został wyprodukowany z najwyższej jakości materiałów, które mogą być poddane recyklingowi i zostać ponownie użyte.
- Symbol przekreślonego kosza na śmieci umieszczony na sprzęcie, opakowaniu lub dokumentach do niego dołączonych oznacza, że produktu nie wolno wyrzucać łącznie z innymi odpadami. Obowiązkiem użytkownika jest przekazanie zużytego sprzętu do wyznaczonego punktu zbiórki w celu właściwego jego przetworzenia. Oznakowanie oznacza jednocześnie, że sprzęt został wprowadzony do obrotu po dniu 13 sierpnia 2005 r.
- Należy zapoznać się z lokalnym systemem zbiórki produktów elektronicznych i elektrycznych.
- Informacje o dostępnym systemie zbierania zużytego sprzętu elektrycznego można znaleźć w punkcie informacyjnym sklepu oraz w urzędzie miasta/gminy.
- Odpowiednie postępowanie ze użytym sprzętem zapobiega negatywnym konsekwencjom dla środowiska i ludzkiego zdrowia!

► cs - LIKVIDACE VÝROBKU

- Tento výrobek byl navržen a vyroben z vysoce kvalitních materiálů a komponentů, které lze recyklovat a znovu použít.
- Je-li na výrobku symbol přeškrtnutého kontejneru, znamená to, že na výrobek se vztahuje Evropská Směrnice 2012/19/UE.
- Informujte se o místním systému pro oddělený sběr elektrických a elektronických výrobků.
- Dodržujte místní předpisy a nelikvidujte staré produkty spolu s běžným komunálním odpadem. Správná likvidace výrobku pomůže předcházet možným negativním dopadům na životní prostředí a lidské zdraví.

► hu - HULLADÉKBA HELYEZÉS

- A termék kiváló minőségű újrahazsnosítható és újból felhasználható alkotóelemek felhasználásával készült.
- Ha terméken elhelyezésre került az áthúzott hulladékgyűjtőt ábrázoló jel, az azt jelenti, hogy a termékre a 2012/19/UE irányelv vonatkozik.
- Kérjük, tájékozódjon az elektromos és elektronikus hulladékok szelektív gyűjtéséről.
- Tartsa be a helyben hatályos előírásokat, és ne a terméket ne helyezze a háztartási hulladékgyűjtőbe. A megfelelő hulladékgyűjtéssel elkerülhető, hogy a hulladékok károsítsák a környezetet ill. az emberi egészséget.

►sl - ODLAGANJE IZDELKA

- Ta izdelek je bil zasnovan in izdelan iz materialov in komponent visoke kakovosti, ki jih je mogoče reciklirati in ponovno uporabiti.
- Ko je izdelek označen z znamenjem prekrižanega smetnjaka na kolesih, pomeni, da zanj veljajo določbe evropske Direktive 2012/19/UE.
- Pozanimajte se o načinu ločenega zbiranja električne in elektronske opreme, ki velja v vašem kraju.
- Upoštevajte veljavne predpise in odsluženih izdelkov ne odlagajte med gospodinjske odpadke. Pravilno odlaganje izdelka prispeva k izogibanju morebitnim negativnim posledicam za zdravje okolja in ljudi.

►tr - ÜRÜNÜN İMHA EDİLMESİ

- Bu ürün, geri dönüştürülüp tekrar kullanılabilen, yüksek kaliteli malzeme ve bileşenler kullanılarak tasarlanıp üretilmiştir.
- Herhangi bir üründe, üzerinde çarpı işareti bulunan tekerlekli bidon bulunuyorsa bu, ürünün 2012/19/UE Avrupa Direktifi tarafından korunduğunu belirtir.
- Lütfen bulunduğunuz bölgedeki elektrikli ve elektronik aletler için olan çöp ayrıştırma sistemi ile ilgili bilgi edininiz.
- Konuyla ilgili yerel düzenlemelere uyunuz ve eski ürünleri normal evsel atıklarla beraber atmayınız. Ürünün doğru şekilde imha edilmesi, çevre ve insan sağlığını tehdit edici olumsuz sonuçların önlenmesine yardımcı olur.

►hr - ODBACIVANJE PROIZVODA

- Ovaj je proizvod osmišljen i izrađen s visokokvalitetnim materijalima i komponentama koje se mogu reciklirati i ponovno iskoristiti.
- Kada se na proizvod stavi simbol prekrižene kante na kotačima, to znači da je on podvrgnut Europskoj Smjernici 2012/19/UE.
- Informirajte se u svezi s lokalnim načinom diferencijalnog sakupljanja električnih i elektronskih proizvoda.
- Pošaljite lokalne propise na snazi i ne odbacujte stare proizvode zajedno sa običnim kućnim otpadom. Pravilnim odbacivanjem proizvoda spriječit ćete moguće negativne posljedice za okoliš i za zdravlje ljudi.

►lt - GAMINIO SUNAIKINIMAS

- Šis gaminys buvo sukurtas ir pagamintas iš aukštos kokybės medžiagų bei dalių, kurios gali būti perdirbtos arba panaudotos dar kartą.
- Kai gaminys yra pažymėtas perbraukto atliekų konteinerio su ratukais ženklų, tai reiškia, kad gaminys yra saugomas pagal ES direktyvą 2012/19/UE.
- Prašome pasidomėti apie vietinę elektros ir elektronikos atliekų rūšiavimo sistemą.
- Laikykitės vietinių galiojančių taisyklių ir nemeskite senų gaminių su įprastomis buitinėmis atliekomis. Tinkamai sunaikinę gaminį išvengsite galimų neigiamų pasekmių aplinkai ir žmonių sveikatai.

►lv - PRODUKTA IZNĪCINĀŠANA

- Šis produkts tika izveidots un ražots ar augstas kvalitātes materiāliem un sastāvdaļām, kas var būt savāktas un atkārtoti izmantotas.
- Kad pie produkta ir piestiprināts atkritumu tvertnes simbols ar riteņiem, kas ir pārsvītrots ar krustu, tas nozīmē, ka produktu aizstāv Eiropas Direktīva 2012/19/UE.
- Lūdzam Jūs gūt informāciju par vietēju centru, kas savāc elektriskās un elektroniskā ierīces.
- Ievērot vietējās pastāvošās normas un neiznīcināt vecus produktus, kā parastus mājas atkritumus. Produkta pareizā iznīcināšana palīdz izvairīties no iespējamām negatīvām sekām vides un cilvēku veselībai.

►et - TOOTE KASUTUSEST KÕRVALDAMINE

- See toode on projekteeritud ja toodetud kvaliteetsetest materjalidest ja osadest, mida võib uuesti ringlusse võtta ja korduskasutada.
- Kui tootel on märk, millel on ratastega prügikast, millele on rist peale tõmmatud, tähendab see, et toodet kaitseb Euroopa direktiiv 2012/19/UE.
- Palun tutvuge kohaliku elektri- ja elektroonikatoodete lahuskogumise süsteemiga.
- Täitke kehtivaid kohalikke õigusnorme ning ärge visake vana toodet olmejäätmete hulka. Toote õige kõrvaldamine aitab vältida võimalikke negatiivseid tagajärgi keskkonna ja inimeste tervisele.

►ro - SCOATEREA DEFINITIVĂ DIN UZ A PRODUSULUI

- Acest produs a fost proiectat și fabricat cu materiale și componente de înaltă calitate care pot fi reciclate și refolosite.
- Când pe produs este aplicat simbolul unei pubele cu roți, marcată cu o cruce, înseamnă că produsul respectiv este conform Directivei Europene 2012/19/UE.
- Vă rugăm să vă informați în ceea ce privește colectarea separată a produselor electrice și electronice.
- Respectați normele locale în vigoare și nu depozitați produsele vechi împreună cu deșeurile menajere. Eliminarea corectă a produsului ajută la eliminarea consecințelor negative pe care acesta le poate avea asupra mediului înconjurător și a persoanelor.

►sk - LIKVIDÁCIA VÝROBKU

- Tento výrobok bol navrhnutý a vyrobený z vysoko kvalitných materiálov a komponentov, ktoré je možné recyklovať a znovu použiť.
- Ak je na výrobku symbol prečiarknutého kontajnera, znamená to, že na výrobok sa vzťahuje Európska Smernica 2012/19/UE.
- Informujte sa o miestnom systéme pre oddelený zber elektrických a elektronických výrobkov.
- Dodržujte miestne predpisy a nelikvidujte staré produkty spolu s bežným komunálnym odpadom. Správna likvidácia výrobku pomôže predchádzať možným negatívnym dopadom na životné prostredie a ľudské zdravie.

► **bg - ИЗХВЪРЛЯНЕ НА УРЕДА**

-Това изделие е проектирано и произведено с материали и компоненти от високо качество, които могат да се рециклират или използват повторно.

-Когато на някое изделие е поставен символ с бидон на колелца, маркиран с хикс, това означава, че изделието е защитено съгласно Европейска Директива 2012/19/UE.

-Моля да се информирате относно местанат система за разделно изхвърляне на електрически и електронни изделия.

-Спазвайте действащите местни нормативи и не изхвърляйте изделията, заедно с нормалните домакински отпадъци. Правилното изхвърляне на изделията, помага за избягване на възможни отрицателно последици, за здравето на хората и за опазване на околната среда.

► **uk - УТИЛІЗАЦІЯ ВИРОБУ**

-Цей виріб був спроектований і вироблений з використанням високоякісних матеріалів і комплектуючих, які можуть бути повторно перероблені і використані.

-Якщо на виріб нанесено символ перекресленого бака з колесами для сміття, це означає, що виріб відповідає Директиві Європейського Союзу 2012/19/UE.

-Просимо ознайомитися з інформацією щодо місцевої системи роздільного збору сміття для електричного і електронного обладнання.

-Дотримуйтеся чинних місцевих правил і не викидайте старі вироби до звичайних побутових відходів. Правильна утилізація виробу допомагає уникнути можливих негативних наслідків для довкілля і здоров'я людей.

► **bs - ODLAGANJE PROIZVODA**

-Ovaj je proizvod dizajniran i proizveden korištenjem materijala i komponenata visoke kvalitete koji se mogu reciklirati i ponovo koristiti.

-Kada se na ovaj proizvod postavi simbol prekrizene kante /obilježene krstom na točkovima, to znači da je proizvod podložan Evropskoj Direktivi 2012/19/UE.

-Molimo Vas da se informirate o lokalnom sistemu diferencijalnog sakupljanja električnih i elektronskih proizvoda.

-Poštujte lokalne propise na snazi i ne odbacujte stare proizvode u obični kućanski otpad. Pravilno odlaganje proizvoda pomaže i onemogućuje negativne posljedice za zdravlje ljudi i okoliša

► **el - ΔΙΑΘΕΣΗ ΤΟΥ ΠΡΟΪΟΝΤΟΣ**

-Το προϊόν αυτό σχεδιάστηκε και κατασκευάστηκε με υλικά και εξαρτήματα υψηλής ποιότητας, τα οποία μπορούν να ανακυκλωθούν και να ξαναχρησιμοποιηθούν.

-Όταν ένα προϊόν είναι συνδεδεμένο με το σύμβολο του διαγεγραμμένου τροχοφόρου σημειωμένο με ένα σταυρό, σημαίνει ότι το προϊόν καλύπτεται από την Ευρωπαϊκή Οδηγία 2012/19/UE.

-Σας συνιστούμε να ενημερωθείτε σχετικά με το τοπικό σύστημα συλλογής για την ανακύκλωση ηλεκτρικών και ηλεκτρονικών προϊόντων.

-Τηρήστε τους τοπικούς κανονισμούς που ισχύουν και μην απορρίπτετε τα παλαιά προϊόντα στα οικιακά απορρίμματα. Η σωστή διάθεση του προϊόντος βοηθά στην αποφυγή πιθανών αρνητικών συνεπειών για την υγεία του περιβάλλοντος και του ανθρώπου.

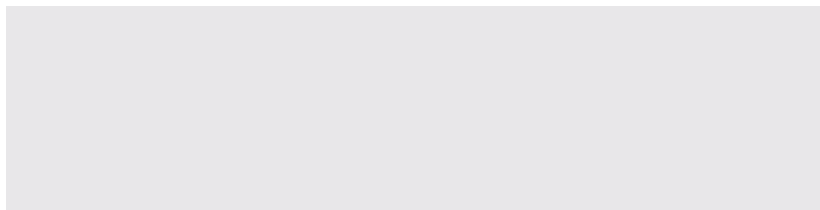
► **zh - 弃置旧的产品**

-该产品是由高质量的原材料和零配件生产而成的，可以进行回收再利用

-当这个标识标签出现在产品上时，它表明这个产品符合 European Directive 2012/19/UE 标准。

-请熟知产品实际使用地关于处理废弃的电子元件的相关法律规定。

-请严格根据当地法规处理废弃的产品和包装，并确保不和生活垃圾混装。正确的处理方式可以避免对环境和人体健康产生的潜在威胁。



Dantherm S.p.A.

Via Gardesana 11, -37010-
Pastrengo (VR), Italy

Dantherm S.p.A.

Виа Гардесана 11, 37010
Пастренго (Верона), Италия

Dantherm Sp. z o.o.

ul. Magazynowa 5A,
62-023 Gądkі, Poland

Dantherm Sp. z o.o.

ул. Магазинова, 5А,
62-023 Гадки, Польша

Dantherm LLC

ul. Transportnaya - 22 ownership 2,
142802, STUPINO, Moscow region, Russia

ООО «Дантерм»

Ул. Транспортная, владение 22/2,
142802, г.Ступино, Московская обл., РФ

Dantherm China LTD

Unit 2B, 512 Yunchuan Rd.,
Shanghai, 201906, China

Dantherm China LTD

Юньчуань роад, 512, строение 2В,
Шанхай, 201906, Китай

Dantherm SP S.A.

C/Calabozos, 6 Polígono Industrial, 28108
Alcobendas (Madrid) Spain

Dantherm SP S.A.

Ц/Калабозос, 6 Полигоно Индустириал,
28108 Алкобендас (Мадрит) Испания