

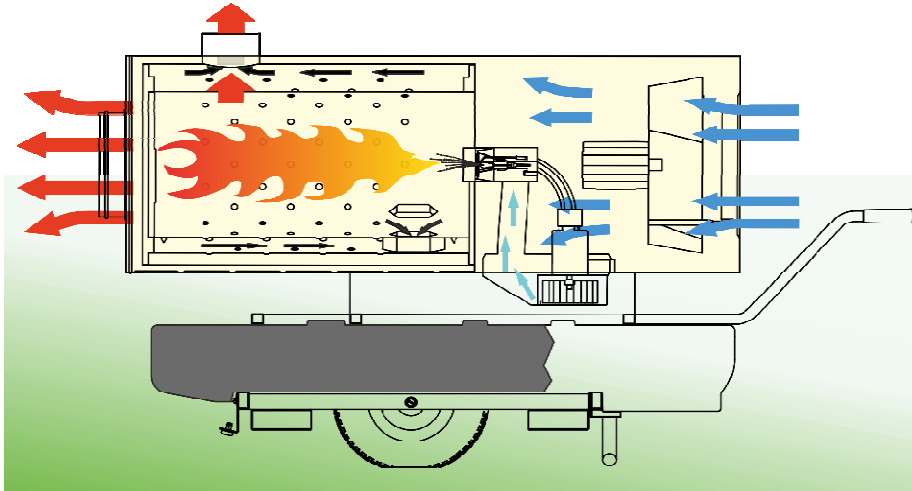
# INDIRECT HEATER

# BV 400

**230 V / 50 Hz**



## FUNCTIONING PRINCIPLES



The unit is heating air that flows through it by combustion chamber and heat exchanger. Supply fuel is burnt in combustion chamber. Flue gas goes through heat exchanger outside to the chimney. Start of the device starts off the burner. After warming up the thermostat starts the fan. Cool air is sucked by fan. After heating air is exhausted outside through outlet panel. The automatic and safe thermostat (with manual reset) are responsible for safe and correct work of device. In case of too high temperature increase, automatic thermostat cut off the fuel supply to the burner. After that unit is chilled to safe temperature and then starts again. In case of critical temperature the unit is stopped by safe thermostat. Restart is only possible after chilling the unit and after manual reset the safe thermostat. Can be operated optional in heat mode and vent mode (without burner).

## TECHNICAL DATA

Min capacity	kW	<b>90</b>	Max capacity	kW	<b>110</b>
	Kcal/h	<b>77 400</b>		Kcal/h	<b>94 600</b>
	Btu/h	<b>307 00</b>		Btu/h	<b>375 000</b>
Fuel consumption	kg/h	<b>7,2</b>	Fuel consumption	kg/h	<b>8,5</b>
Combustible	Oil / Kerosene		Fan		<b>Plug-fan</b>
Net weight	kg	<b>200</b>	Power supply	V	<b>220 - 240</b>
Gross weight	kg	<b>230</b>	Frequency	Hz	<b>50</b>
Noise level	dB(A)	<b>73</b>	Rated current	A	<b>6,8</b>
Air displacement	m <sup>3</sup> /h	<b>6 200</b>	Pressure	Pa	<b>500</b>
Air outlet	mm	<b>1 x 400</b>			

## PACKING

Packaging dimensions	mm	<b>1660 x 710 x 1660</b>
Utilization dimensions	mm	<b>2150 x 720 x 1270</b>
Pieces per pallet	n°	<b>1</b>
Pieces per truck 80m <sup>3</sup>	n°	<b>21</b>

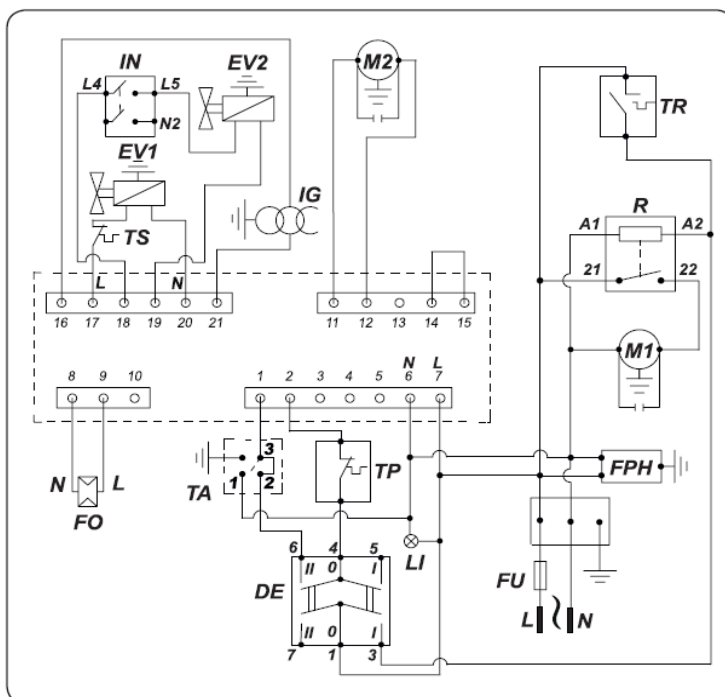
## COMPONENTS

Burner	Mcs burner
Nozzle	2 GPH 60°S DANFOSS
Igniter	electrodes
Fuel filter	60 µm
Motor	asynchronous, monophase, 1400 g/1'
Fan	Plug fan Ø 600 mm
Room thermostat	predisposed for connection to room thermostat

## ACCESSORIES

Room thermostat	thermostat TH5 - THD
Tank	150 l
Air distribution hoses	flexible hoses 7,6 m
Turning wheel	Pneumatic wheels
One way air-outlet panel	Ø 400
Other	Lifting arch, recirculation flange

## WIRING DIAGRAM



<b>M1</b>	Motor ventilation
<b>M2</b>	Motor combustion
<b>R</b>	Relay
<b>IN</b>	Switch
<b>FU</b>	Fuse
<b>DE</b>	Deviator
<b>LI</b>	Light
<b>FO</b>	Photores
<b>TA</b>	Ambient thermostat
<b>IG</b>	Igniter
<b>FPH</b>	Filter pre-heater
<b>TP</b>	Thermostat oscillation
<b>EV1</b>	Electrovalve NC
<b>EV2</b>	Electrovalve NA
<b>TS</b>	Thermostat overheating
<b>TR</b>	Thermostat heating
<b>L</b>	Line
<b>N</b>	Neutral