

USER MANUAL milling machine



HOLZMANN-MASCHINEN GmbH
Marktplatz 4 | 4170 Haslach | AUSTRIA
Gewerbepark 8 | 4707 Schlüssberg | AUSTRIA
Tel: +43 - 7289 / 71562-0 | Fax: +43 - 7289 / 71562-4
Tel: +43 - 7248 / 61116-0 | Fax: +43 - 7248 / 61116-6
info@holzmann-maschinen.at, www.holzmann-maschinen.at



Read and take care of the operation manual and the safety instructions!

Technical changes as well as literal and sentence mistakes reserved!

BF 50DIG

WARNING:FAILURE TO FOLLOW THESE RULES MAY RESULT IN SERIOUS PERSONAL INJURY

As with all machinery there are certain hazards involved with operation and use of the machine. Using the machine with respect and caution will considerably lessen the possibility of personal injury. However, if normal safety precautions are overlooked or ignored, personal injury to the operator may result.

This machine was designed for certain applications only. We strongly recommends that this machine. NOT be modified and/or used for any application other than for which it was designed. If you have any questions relative to its application DO NOT use the machine until you have had detail instruction from your dealer.

SAFETY RULES FOR ALL TOOLS

1.FOR YOUR OWN SAFETY ,READ THIS INSTRUCTION MANUAL BEFORE OPERATING THE TOOL. Learn the tool's application and limitations as well as the specific hazards peculiar to it.

2.KEEP GUARDS IN PLACE and in working order .

3.GROUND ALL TOOLS .If tool is equipped with three-prong plug, it should be plugged into a three-hole electrical receptacle. If an adapter is used to accommodate a two-prong plug receptacle, the adapter lug must be attached to a know ground. Never remove the third prong.

4.REMOVE ADJUSTING AND WRENCHES.

Form habit of checking to see that keys and adjusting wrenches are removed from tool before turning it"on."

5.KEEP WORK AREA CLEAN. Cluttered areas and benches invite accidents.

6.DON'T USE IN DANGEROUS ENVIRONMENT .Don't use power tools in damp or wet locations, or expose them to rain. Keep work area well- lighted.

7.KEEP CHILDRE AND VISITORS AWAY. All children and visitors should be keep a safe distance from work area.

8.MAKE WORKSHOP CHILDROOF –with padlocks, master switches, or by removing starter keys.

9.Don't force tool. It will do the job better and be safer at the rate for which it was designed.

10.USE RIGHT TOOL .Don't force tool or attachment to do a job for which it was not designed.

11.WEAR PROPER APPAREL. No loose clothing,gloves,neckties,rings, bracelets,or other jewelry to get caught in moving parts. Nonslip foot wear is recommended. Wear protective hair covering to contain long hair.

12.ALWAYS WEAR EYE PROTECTION. Refer to ANSIZ87.1 Standard for appropriate recommendations. Also use face or dust mask if cutting operation is dusty.

13.SECURE WORK. Use clamps or a vise to hold work when practical. It's safer than using your hand and frees both hands to operate tool.

14.DON'T OVERREACH. Keep proper footing and balance at all times.

15.MAINTAIN TOOLS IN TOP CONDITION.

Keep tools sharp and clean for best and safest performance. Follow instructions for lubricating and changing accessories.

16.DISCONNECT TOOLS before servicing and when changing accessories such as blades,bits,cutters,ect.

17.USE RECOMMENDED ACCESSORIES.

Consult the owner's manual for recommended accessories .The use of improper accessories may cause hazards.

18.AVOID ACCIDENTAL STARTING. Make sure switch is in "OFF" position before plugging in power cord.

19.NEVER STAND ON TOOL. Serious injury could occur if the tool is tipped or if the cutting tool is accidentally contacted

20.CHECK DAMAGED PARTS. Before further use of the tool, a guard or other part that is damaged should be carefully checked to ensure that it will operate properly and perform its intended function check for alignment of moving parts binding of moving parts, breakage of parts mounting, and any other conditions that may affect its operation. A guard or other part that is damaged should be properly repaired or replaced.

21.DIRECTION OF FEED. Feed work into a blade or cutter against the direction of rotation of the blade or cutter only.

22.NEVER LEAVE TOOL RUNNING UNATTENDED.TURN POWER OFF.

Don't leave tool until it comes to a complete stop.

23.DRUGS,ALCOHOL ,MEDICATION. Do not operate tool while under the influence of drug, alcohol or any medication.

24.MAKE SURE TOOL IS DISCONNECTED FROM POWER SUPPLY while motor is being mounted, connected or reconnected.

ADDITIONAL SAFETY RULES FOR MILL DRILL

1. **BE SURE** drill bit or cutting tool is securely locked in the chuck.
2. **BE SURE** chuck key is removed from the chuck before turning on power.
3. **Adjust the table or depth stop to avoid drilling into the table.**
4. **SHUT OFF the power** ,remove the drill bit or cutting tool, and clean the table before leaving the machine.
5. **CAUTION.** When practical , use clamps or a vise to secure workpiece to keep the workpiece from rotating while the drill bit or cutting tool.
6. **WARNING:** FOR Your Own Safety Don't wear gloves when operating a mill/drill.

SPECIFICATIONS:

Drilling capacity	cast iron	45mm						
	mild steel	32mm						
Face mill capacity	80mm							
End mill capacity	32mm							
Working table size	800mm×240mm							
Working table cross travel	230mm							
Working table longitudinal travel	560mm							
T-Slot size	14mm							
Head tilt left right	90°							
Spindle taper (option)	MT4	R8 or ISO30						
Max distance spindle to table	460mm	440mm						
Spindle stroke	120mm							
Spindle speed(rpm) (option)	Motor 0.85KW/1.1KW	I	75	180	280	600	1000	1600
		II	150	360	560	1200	2000	3200
Overall dimension	1090mm×1120mm×785mm							
Packing dimension	850mm×760mm×1150mm							
NW/GW Weight	640/700Kg							

WARNING:CHANGE SPEED ONLY WHEN MACHINE IS STOPPED CHANGING THE GEAR BOX OIL

Tilt the head stock over as shown in Fig 1. Open the drain plug to allow the oil to drain from the opening completely. Then lock the oil drain plug and turn the head to be upright position. Remove the oil filler plug fill the oil to the

gear box until the oil level reach the middle of oil fluid level indicator. Then lock the plug.

CLEANING

- (1) Your machine has been coated with a heavy grease to protect it in shipping. This coating should be completely removed before operating the machine. Commercial degreaser, kerosene or similar solvent may be used to remove the grease from the machine, but avoid getting solvent on belts or other rubber parts.
- (2) After cleaning, coat all bright work with a light lubrication . Lubricate all points with a medium consistency machine oil.

LUBRICATION:

All ball bearings in your mill/drill are sealed for life ,requiring no lubrication. Points requiring lubrication are:

- (1) Internal spline drive assembly. Keep this area well lubricated with a good grade grease , insert grease in the hole at the top of spindle pulley spline driver,lube twice yearly.
- (2) A light film of oil applied to the quill and column will reduce wear, prevent rust, and assure ease of operation.
- (3) Quill return spring should receive oil(sae 20) once yearly. Remove cover plate and apply oil with squirt can or small brush.
- (4) **IMPORTANT:** The gear box should be oiled with a lubricant such as sae 68 oil in level.**CHANGE OIL EVERY ONE YEAR.**
- (5) Apply lubriplate to quill pinion every 90 days.

NOTE: use extreme care when performing this operation and keep hands clear of pinch points. When using paraffin bar, do this only by turning the sheaves by hand. Do not apply with motor running.

USE OF MAIN MACHINE PARTS

- (1) To raise and lower the head by head handle.
- (2) Equipped with an electric switch for tapping operation clockwise or counterclock wise.
- (3) To adjust the quick or slow feeding by feed handle.
- (4) To adjust the table left and right travel by table handle wheel.
- (5) To adjust the table fore and after travel by table handle wheel.
- (6) To operate the spindle handle wheel for micro feed.
- (7) To adjust the scale size according to working need.

PRECAUTION FOR OPERATION

Check all parts for proper condition before operation; if normal safety precautions are noticed carefully, this machine can provide you withstanding of accurate service.

(1) Before Operation

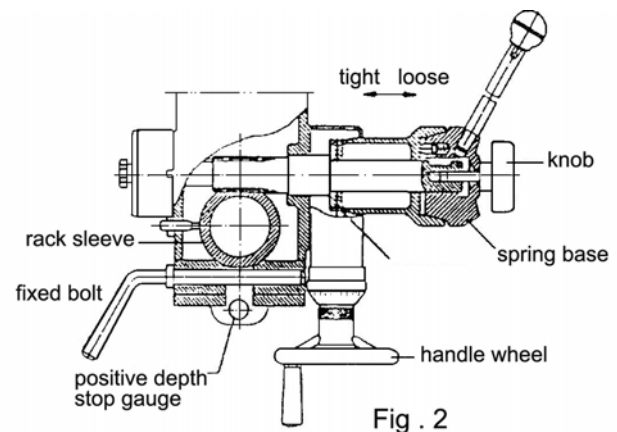
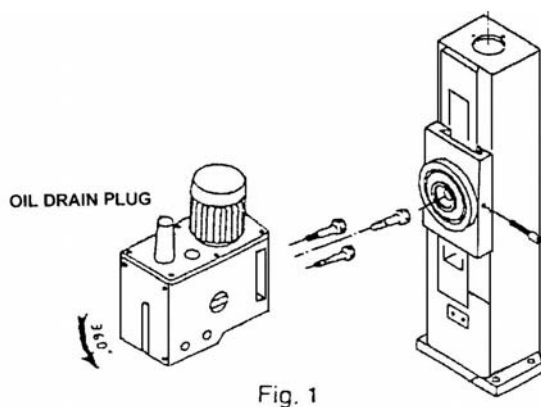
- (a) Fill the lubricant
- (b) In order to keep the accurate precision, the table must be free from dust and oil deposits.
- (c) Check to see that the tools are correctly set and the workpiece is set firmly.
- (d) Be sure the speed is not set too fast.
- (e) Be sure everything is ready before use

(2) After Operation

- (a) Turn off the electric switch.
- (b) Turn down the tools.
- (c) Clean the machine and coat it with lubricant.
- (d) Cover the machine with cloth to keep out the dust.

(3) Adjustment of head

- (a) To raise and lower the head, loosen the leaf screw located on the right side of the raise and lower base. When the desired height is reached tighten leaf screw to avoid vibration.
- (b) Unscrew 3 nuts while the workpiece needs to be bevel turn to the degrees you wish on the scale, then screw the 3.



QUILL RETURN SPRING ADJUSTMENT:

Spring tension for return of spindle, after hole drilling, has been pre-set at the factory. No further adjustment should be attempted unless absolutely necessary. Adjustment will probably be required if a multiple spindle drilling or tapping head is used. If adjustment is necessary, loosen lock screw while

holding quill spring housing .Do not allow the housing to turn in your hand, or spring will unwind. Turn entire housing assembly clockwise the number of turns necessary to cause the quill to return to its up position.(NOTE: The flat of the spring housing pilot is lined up with the spring loading hole on the body of the spring housing.)Reset lockscrew make sure point of screw mates the flat on the housing journal.

(1)Preparing for Drilling(see fig.2)(Except addition power feed system).

Turn of the knob make loose the taper body of worm gear and spring base. Then we decide spindle stroke setting the positive depth stop gauge for drilling blind hole or free state for pass hole.

(2)Preparing for Milling (see fig.2)(Except addition power feed system).

(a)Adjust the positive depth stop gauge to highest point position.

(b)Turn tight of the knob be use to taper friction force coupling the worm gear and spring base. Then turning the handle wheel by micro set the spindle of work piece machining height.

(c)Lock the rack sleeve at the desired height with fixed bolt.

ADJUSTING TABLE SLACK AND COMPENSATE FOR WEAR(see fig.3)

(1)Your machine is equipped with jib strip adjustment to compensate for wear and excess slack on cross and longitudinal travel.

(2)Clockwise rotation the job strip bolt with a big screw for excess slack otherwise a little counter clockwise if too tight.

(3)Adjust the jib strip bolt until feel a slight drag when shifting the table.

CLAMPING TABLE BASE AND MACHINE BASE(See Fig.3)

(1)When milling longitudinal feed. It is advisable to lock the cross feed table travel to insure the accuracy of your work. To do this, tighten the

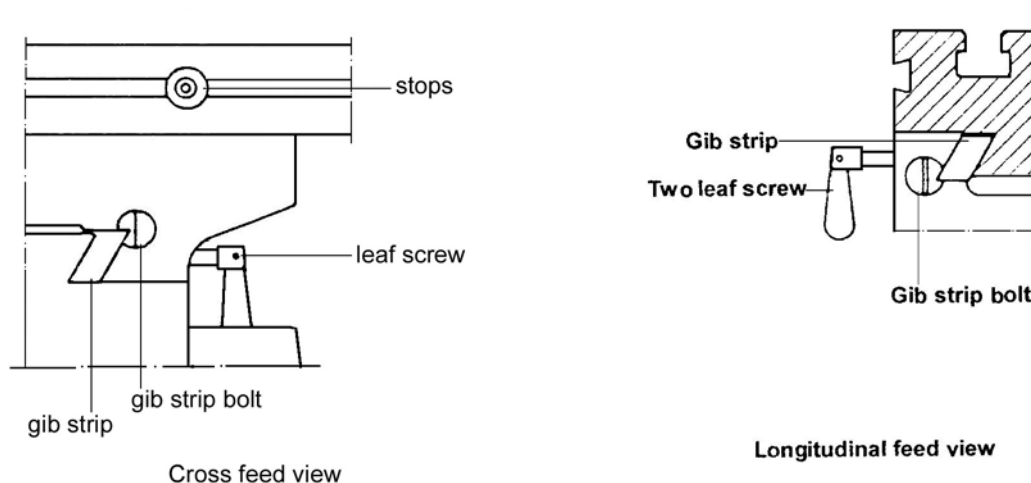


Fig.3

small leaf screw located on the right side of the table base.

- (2) To tighten the longitudinal feed travel of the table for cross feed milling, tighten the two small leaf screw on the front of the table base.
- (3) Adjustable travel stops are provided on the front of the table for control of cross travel and the desired milling length.

TO CHANGE TOOLS

- (1) Removing Face Mill or Drill Chuck Arbor

Loosen the arbor bolt at the top of the spindle shaft approximately 2 turns with a wrench. Rpa the top of the arbor bolt with a mallet.

After taper has been broken loose, holding chuck arbor on hand and turn detach the arbor bolt with the other hand.

- (2) To install Face Mill or Cutter Arbor

Insert cutter and cutter arbor bolt detach securely, but do not over-tighten.

- (3) Removing Taper Drills

- (a) Turn down the arbor bolt and insert the taper drill into the spindle shaft.

- (b) Turn the rapid down handle rod down until the oblong hole in the rack sleeve appears. Line up this hole with the hole in the spindle. Insert key punch key through holes and strike lightly lightly with a mallet. This will force the taper drill out.

SPECIFICATION OF T-SLOT

The size of T-Solt on table as Fig.4.

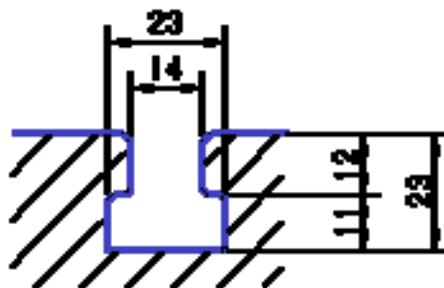
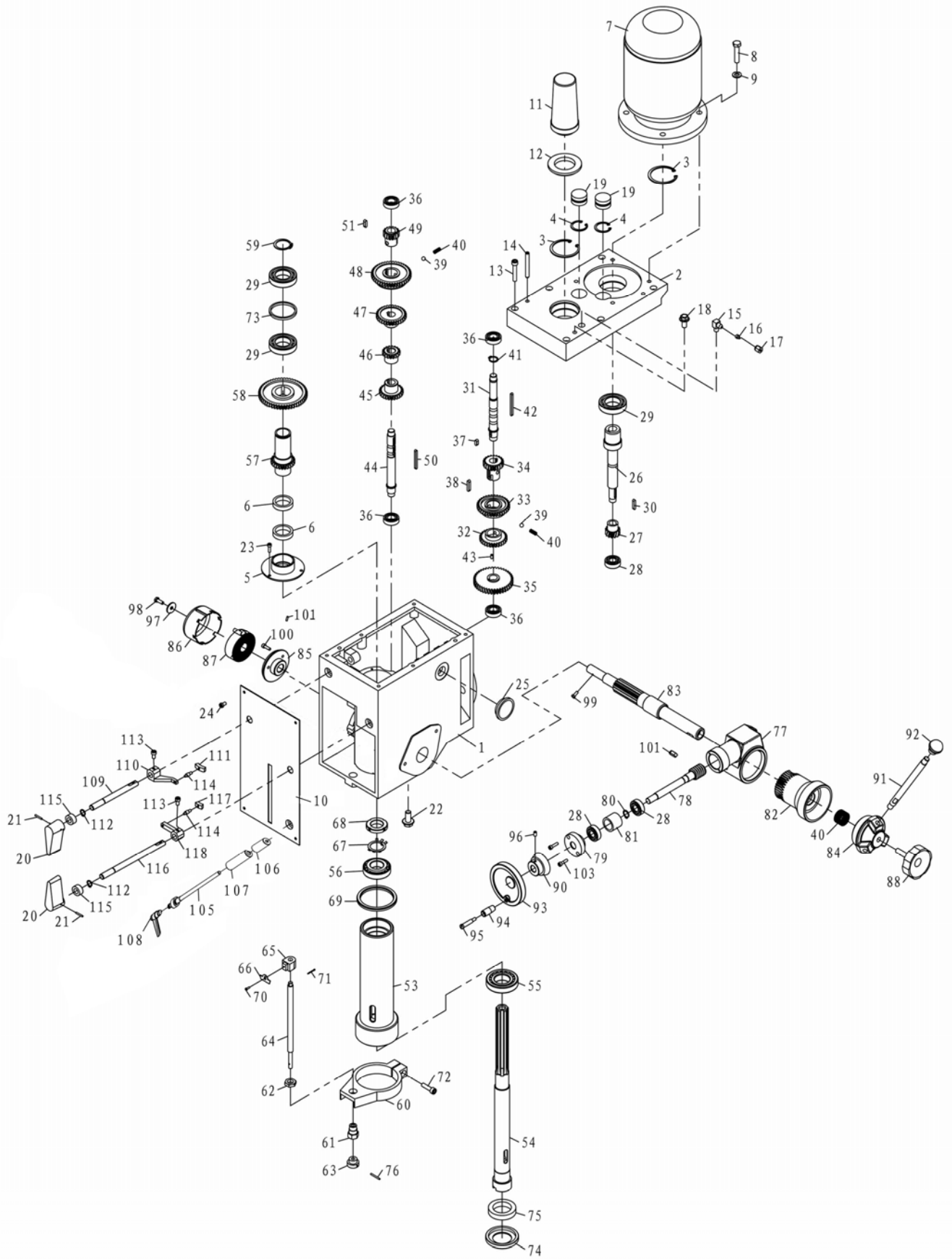


Fig.4

Maintenance instructions

TROUBLE SHOOTING HINTS

TROUBLE	PROBABLE CAUSE	REMEDY
Excessive Vibration	<ol style="list-style-type: none"> 1. Motor out of balance 2. Bad motor 	<ol style="list-style-type: none"> 1. Balance or replace problem motor. 2. Replace motor
Motor stalls	<ol style="list-style-type: none"> 1. Over feeding. 2. Dull drill. 3. Motor not building up to running speed 4. Bad motor 	<ol style="list-style-type: none"> 1. Reduce feed rate. 2. Sharpen drill and keep sharp. 3. Replace or repair motor. Check fuses in all three legs on three phase motors and replace if necessary. 4. Replace motor.
Noisy Operation	<ol style="list-style-type: none"> 1. Excessive vibration. 2. Improper quill adjustment. 3. Noisy spline 4. Noisy motor 	<ol style="list-style-type: none"> 1. Check remedy under excessive vibration. 2. Adjust quill. 3. Lubricate spline. 4. Check motor bearings or for loose motor fan.
Drill or Tool heats up or burns work.	<ol style="list-style-type: none"> 1. Excessive speed. 2. Chips not clearing. 3. Dull tool. 4. Feed reate too slow. 5. Rotation of drill incorrect. 6. Failure to use cutting oil or coolant(on steel) 	<ol style="list-style-type: none"> 1. Reduce speed. 2. Use pecking operation to clear chips. 3. Sharpen tool or replace. 4. Incresase feed enough to clear chips. 5. Reverse motor rotation. 6. Use cutting oil or coolant on steel
Drill leads off	<ol style="list-style-type: none"> 1. No drill spot. 2. Cutting lips on drill off center. 3. Quill loose in head. 4. Bearing play. 	<ol style="list-style-type: none"> 1. Center punch or center drill workpiece. 2. Regrind drill. 3. Tighten quill. 4. Check bearings and reseal or replace if necessary.
Excessive drill runout or wobble	<ol style="list-style-type: none"> 1. Bent drill. 2. Bearing play. 3. Drill not seated properly in chucks. 	<ol style="list-style-type: none"> 1. Replace drill. Do not attempt to straighten 2. Replace or reseal bearings. 3. Loosen, reseal and tighten chuck.
Work or fixture comes loose or spins	<ol style="list-style-type: none"> 1. Failure to clamp workpiece or work holding device to table. 	<ol style="list-style-type: none"> 1. Clamp workpiece or work holding device to table surface.

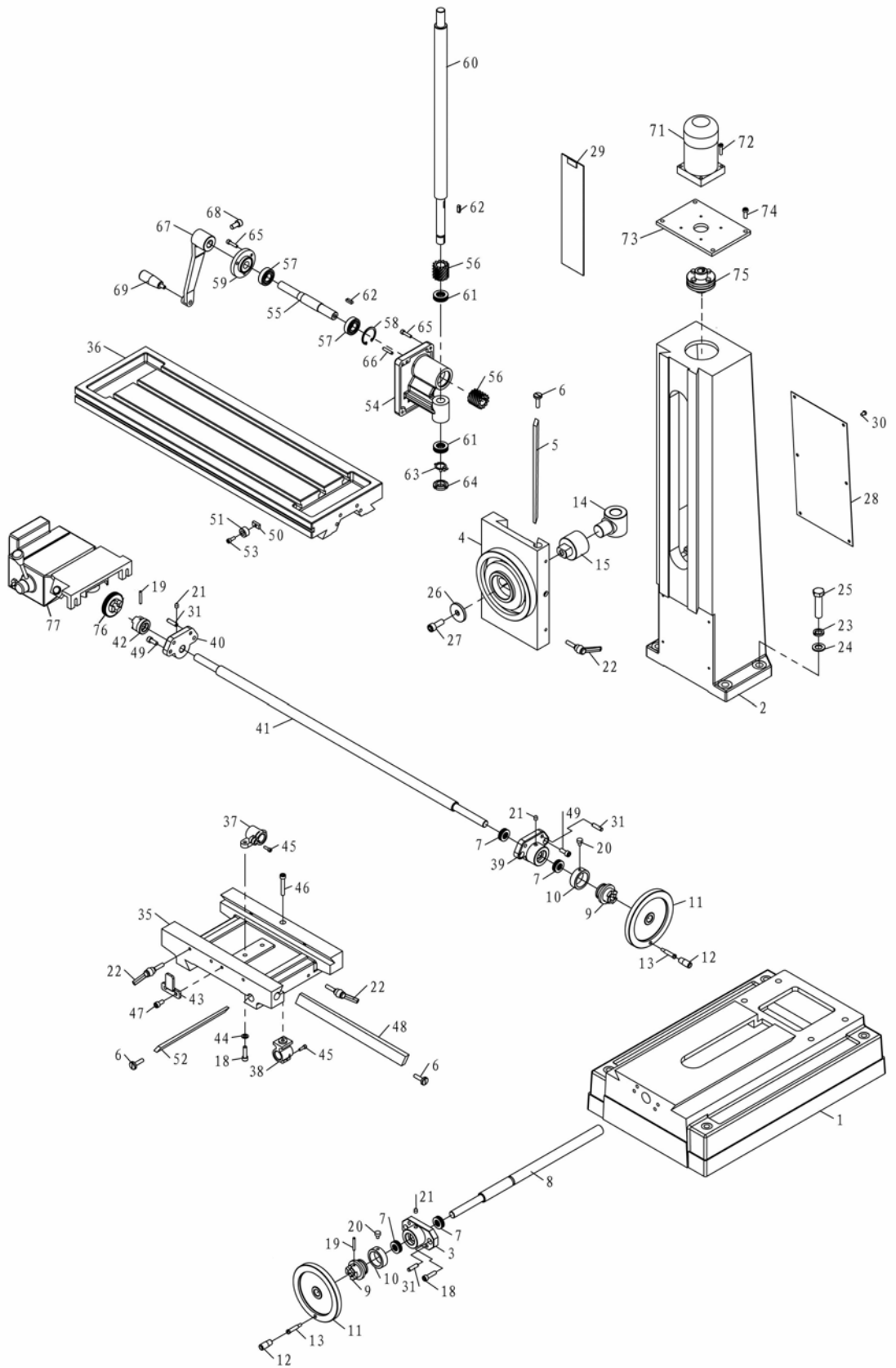


HEAD

HEAD PARTS

No.	Qty.	Code	Name	No.	Qty.	Code	Name
1	1	20010B	head body	37	1		key
2	1	20011B	head body cover	38	1		key
3	2		retaining ring	39	2		ball
4	2		retaining ring	40	1		spring
5	1	20018B	airtight base	40/1	1		spring
6	2		airtight ring	41	2		retaining ring
7	1		motor	42	1		key
8	1		screw	43	4		screw
9	1		washer	44	1	20107B	III shaft
10	1	20201	plate	45	1	20109-B	gear
11	1	20304-1B	arbor bolt cover	46	1	20110-2-B	gear
12	1	20304-2B	arbor bolt cover base	47	1	20112-B	gear
13	1		screw	48	1	20113-B	gear
14	1		pin	49	1		gear
15	1	20025B	joint	50	1		key
16	1	20026B	sleeve	52	1		key
17	1	20027B	nut	53	1	20019	spindle sleeve
18	1		bolt	54	1	20104B	spindle
19	2	20020B	cap	55	1		bearing
20	2	20307B	speed lever	56	1		bearing
21	2		pin	57	1	20114-B	splined sleeve
22	1		oil plug	58	1	20116-B	gear
23	1		screw	59	1		retaining ring
24	1		screw	60	1	20012	feed base
25	1		oil pointer	61	1	20128	support base
26	1	20105B	I shaft	62	1	20129	nut
27	1	20105-1-B	gear	63	1	20130	knob
28	3		bearing	64	1	20131	graduated rod
29	3		bearing	65	1	20021	fixed bolt
30	1		key	66	1	20132	scale board
31	1	20106B	II shaft	67	1		lock washer
32	1	20108-B	gear	68	1		lock nut
33	1	20110-1-B	gear	69	1	20308	rubber washer
34	1	20111-B	gear	70	1		screw
35	1	20106-1-B	gear	71	1		split pin
36	4		bearing	72	1		bolt

No.	Qty.	Code	Name	No.	Qty.	Code	Name
73	1	20024B	separating ring	111	1	20204-2B	lever bracket
74	1	20133B	oil tight cover	112	2		retaining ring
75	1	62*42*12	air tight	113	2		screw
76	1		pin	114	2	20204-3B	lever rod
77	1	20015	worm wheel box	115	2		oil seal
78	1	20119	worm shaft	116	1	20126B	long lever shaft
79	1	20302	worm cover	117	1	20204-1B	lever bracket
80	1		retaining ring	118	1	20022-2B	lever
81	1	20120	separating ring				
82	1	20016	worm wheel				
83	1	20117	pinion shaft				
84	1	20013	handle body				
85	1	20118	spring base				
86	1	20123	spring cap				
87	1	20122	spring plate				
88	1	20303	big ripple handle				
90	1	20017	graduated plate				
91	1	20121B	handle rod				
92	1	20301B	handle ball				
93	1	20306B	handle wheel				
94	1	20305-1B	turn handle				
95	1	20305-2B	screw				
96	1		screw				
97	1	20102	washer				
98	1		bolt				
99	1		screw				
100	1		screw				
101	2		pin				
102	1		key				
104	2		screw				
105	1	20124B	fixed bolt				
106	1	20203B	fixed tight block				
107	1	20202B	fixed tight block				
108	1		adjust handle				
109	1	20125B	lever shaft				
110	1	20022-1B	lever				



BASE

BASE PARTS

No.	Qty.	Code	Name	No.	Qty.	Code	Name
1	1	10010	base	42	1	10105	dial clutch
2	1	10013	column	43	1		fixed block
3	1	10021	square flange	44	2		washer
4	1	10016	raise and lower base	45	2		screw
5	1	10025	gib strip	46	1		screw
6	3	10106	screw	47	2		screw
7	4		bearing	48	1	10022	gib strip
8	1	10104	table screw	49	4		screw
9	2	10102	dial clutch	50	2	10108	movable fixed block
10	2	10111	graduated plate	51	2	10109	fixed block support
11	2	10301	wheel	52	1	10023	gib strip
12	2	20305-1B	turn handle	53	2		screw M6X16
13	2	20305-2B	screw	54	1	10017	raise and lower base
14	1	10024	nut	55	1	10113	shaft
15	1	10117	nut bracket	56	2	20109	gear
18	4		screw	57	2		bearing
19	3		pin	58	1		retaining ring
20	2	10107	screw	59	1	10015	flange
21	3	8	oil cup	60	1	10116	raise and lower screw
22	6		fixed handle	61	2		bearing
23	4		washer	62	2		key6X20
24	4		washer	63	1		lock washer
25	4		bolt	64	1		lock nut
26	1	10120	washer	65	7		screw M6X25
27	1		screw	66	2		pin 6X30
28	1	10119	plate	67	1	10018	head handle
29	1	10124	protecting cover	68	1		screw M10X20
30	6		screw	69	1		turn handle
31	6		pin	71	1		motor
35	1	10011	center base	72	4		screw
36	1	10012	table	73	1		cover
37	1	10202	table nut	74	4		screw
38	1	10203	table base nut	75	1		clutch
39	1	10020	right flange	76	1		gear
40	1	10019	left flange	77	1		power feed
41	1	10103	table screw				

KONFORMITÄTSERKLÄRUNG / CERTIFICATE OF CONFORMITY



HOLZMANN MASCHINEN® AUSTRIA GmbH
 A-4170 Haslach, Marktplatz 4
 Tel.: +43/7289/71562-0; Fax.: +43/7289/71562-4
 www.holzmann-maschinen.at

Bezeichnung / name
Fräsmaschine / milling machine
Type(n) / Model(s)
Holzmann BF 50DIG
EG-Richtlinie(n) / EC-Directive(s)
2006/42/EC 2006/95/EC EN ISO 12100-1:2003 EN ISO 12100-2:2003 EN 12717:2001 EN 13128:2001
Zertifikatnummer(n) / Certificate Number(s)
<i>826040210</i>
Ausstellungsbehörde / issuing authority
Safenet Limited Pywell Road, Corby, Northants, NN17 5XJ, England

Hiermit erklären wir, dass die oben genannte Maschine den grundlegenden Sicherheits- und Gesundheitsanforderungen der EG-Richtlinie entspricht. Diese Erklärung verliert ihre Gültigkeit, wenn Veränderungen an der Maschine vorgenommen werden, die nicht mit uns abgestimmt wurden.

Hereby we declare that the mentioned machine fulfil the above stated EEC-Directives. Any manipulation of the machines not authorized by HOLZMANN Maschinen renders this document invalid.



HOLZMANN MASCHINEN GmbH
 Marktplatz 4, 4170 Haslach
 weiterer Standort:
 Gewerbepark 8, 4707 Schlüsslberg



Klaus Schöngemühl, CEO
 Unterschrift / sign

	Haslach, 01.02.2012		
	Ort/place, Datum/date		Unterschrift / sign

GUARANTEE & SERVICE

GUARANTEE (applicable from 09.03.2011)

Please consult our troubleshooting section for initial problem solving. Feel free to contact your HOLZMANN reseller or us for Customer Support!

Warranty claims based on your sales contract with your HOLZMANN retailer, including your statutory rights, shall not be affected by this guarantee declaration.

HOLZMANN-MASCHINEN grants guarantee according to following conditions:

A) The guarantee covers the correction of deficiencies to the tool/machine, at no charge, if it can be verified adequately that the deficiencies were caused by a material or manufacturing fault.

B) The guarantee period lasts 12 months, and is reduced to 6 months for tools in commercial use. The guarantee period begins from the time the new tool is purchased from the first end user. The starting date is the date on the original delivery receipt, or the sales receipt in the case of pickup by the customer.

C) Please lodge your guarantee claims to your HOLZMANN reseller you acquired the claimed tool from with following information:

>> Original Sales receipt and/or delivery receipt

>> Service form (see next page) filed, with a sufficient deficiency report

>> for spare part claims: a copy of the respective exploded drawing with the required spare parts being marked clear and unmistakable.

D) The Guarantee handling procedure and place of fulfilment is determined according to HOLZMANNs sole discretion in accordance with the HOLZMANN retail partner. If there is no additional Service contract made including on-site service, the place of fulfilment is principally the HOLZMANN Service Center in Haslach, Austria.

Transport charges for sendings to and from our Service Center are not covered in this guarantee.

E) The Guarantee does not cover:

- Wear and tear parts like belts, provided tools etc., except to intial damage which has to be claimed immediately after receipt and inital check of the machine.

- Defects in the tool caused by non-compliance with the operating instructions, improper assembly, insufficient power supply, improper use, abnormal environmental conditions, inappropriate operating conditions, overload or insufficient servicing or maintenance.

- Damages being the causal effect of performed manipulations, changes, additions made to the machine.

- Defects caused by using accessories, components or spare parts other than original HOLZMANN spare parts.

-Slight deviations from the specified quality or slight appearance changes that do not affect functionality or value of the tool.

- Defects resulting from a commercial use of tools that - based on their construction and power output - are not designed and built to be used within the frame of industrial/commercial continuous load.

F) Claims other than the right to correction of faults in the tool named in these guarantee conditions are not covered by our guarantee.

G) This guarantee is voluntary. Therefore Services provided under guarantee do not lengthen or renew the guarantee period for the tool or the replaced part.

SERVICE

After Guarantee and warranty expiration specialist repair shops can perform maintenance and repair jobs. But we are still at your service as well with spare parts and/or machine service. Place your spare part / repair service cost inquiry by filing the SERVICE form on the following page and send it:

via Mail to service@holzmann-maschinen.at

via Fax to +43 7248 61 116 6

SERVICE FORM / SERVICEFORMULAR

Please tick one box from below / Bitte kreuzen Sie eine der untenstehenden an:

- service inquiry / Serviceanfrage
 spare part inquiry / Ersatzteilanfrage
 guarantee claim / Garantierantrag

1. Senders information (* required) / Daten Antragsteller (* sind Pflichtfelder)

- *First name, Family name / Vorname, Nachname _____
- *Street, house number / Straße, Hausnummer _____
- *ZIP Code, place / PLZ, Ort _____
- *Country / Staat _____
- * (mobile)Phone / Telefon bzw. Mobiltel. _____
International numbers with country code
- * E-Mail _____
- Fax _____

2. Tool information / Geräteinformationen

serial number/Seriennummer: _____ *Machine type/Maschinentype: _____

2.1 Required spare parts / benötigte Ersatzteile

Part No° / Ersatzteilnummer	Description / Beschreibung	Number/Anzahl

2.2 Problem description / Problembeschreibung

Please describe amongst others in the problem:
 What has caused the problem/defect, what was the last activity before you noticed the problem/defect?

For electric problems: Have you had checked your electric supply and the machine already by a certified electrician?

Bitte führen Sie in der Fehlerbeschreibung unter anderem an:

Was hat den Defekt verursacht bzw. was war die letzte durchgeführte Tätigkeit, bevor Ihnen das Problem/der Defekt aufgefallen ist?

Bei Elektrodefekten: Wurde die Stromzuleitung sowie die Maschine bereits von einem Elektrofachmann geprüft?

3. Additional information

INCOMPLETELY FILED SERVICE FORMS CANNOT BE PROCESSED!
 FOR GUARANTEE CLAIMS PLEASE ADD A COPY OF YOUR ORIGINAL SALES / DELIVERY RECEIPT OTHERWISE IT CANNOT BE ACCEPTED.
 FOR SPARE PART ORDERS PLEASE ADD TO THIS SERVICE FORM A COPY OF THE RESPECTIVE EXPLODED DRAWING WITH THE REQUIRED SPARE PARTS BEING MARKED CLEARLY AND UNMISTAKABLE.
 THIS HELPS US TO IDENTIFY THE REQUIRED SPARE PARTS FASTLY AND ACCELERATES THE HANDLING OF YOUR INQUIRY.

THANK YOU FOR YOUR COOPERATION!

/ Bitte Beachten

UNVOLLSTÄNDIG AUSGEFÜLLTE FORMULARE KÖNNEN NICHT BEARBEITET WERDEN!

GARANTIEANTRÄGE KÖNNEN AUSSCHLIESSLICH UNTER BEILAGE DES KAUFBELEGES/ABLIEFERBELEGES AKZEPTIERT WERDEN.

BEI ERSATZTEILBESTELLUNGEN LEGEN SIE DIESEM FORMULAR EINE KOPIE DER BETREFFENDEN ERSATZTEILZEICHNUNG BEI! MARKIEREN SIE DARAUF DIE BENÖTIGTEN ERSATZTEILE. DIES ERLEICHTERT UNS DIE IDENTIFIZIERUNG UND ERMÖGLICHT SO EINE RASCHERE BEARBEITUNG.

VIELEN DANK!